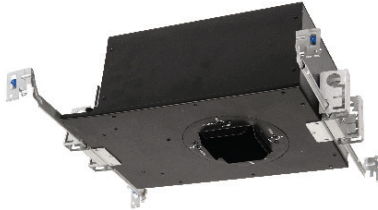
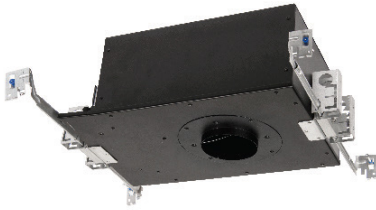


Volta

Static White - 4.5" Trim Housings

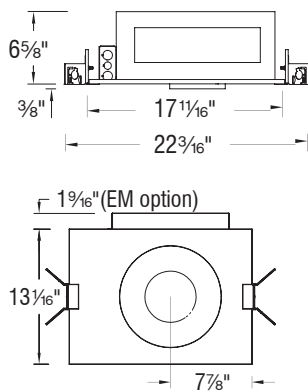
R4RNT | R4SNT | R4RCT | R4SCT | R4BRT

Fixture Type: _____
 Project: _____
 Catalog#: _____
 Location: _____

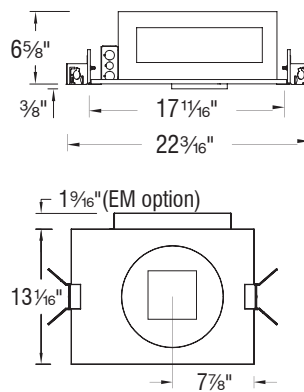


LINE DRAWING

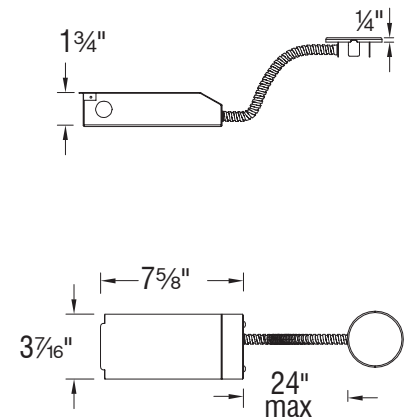
Round



Square



Remodel



PRODUCT DESCRIPTION

Volta LED downlight series represents an innovation in design and technology for architectural lighting. This high lumen and adaptable family of fixtures with a comprehensive set of round and square fittings, affords a sustainable solution for commercial, corporate, and upscale residential applications.

SPECIFICATIONS

- Mounting:** Universal mounting brackets and hanger bars
 Ceiling cut out (Round): \varnothing 5 5/8" \circ
 Ceiling cut out (Square): 5 5/8" x 5 5/8" \square
 Accommodates 1/2" - 1 1/2" ceiling thickness
- Input:** Universal 120-277V AC, 50/60 Hz
- Dimming:** 0-10V: 100-0%
 Electronic Low Voltage (ELV): 100-5%
 Lutron Hi-Lume 1% Ecosystem Fade-to-Black option
- Emergency:** EM fixtures provided with integral Emergency battery back up with 24" lead wire remote test switch. Provides at least 90 minutes of 8W illumination during emergency operation
- Standards:** ETL & cETL, Chicago Plenum, IC-rated, Airtight (see list)
- Warranty:** 5 year WAC Lighting guaranteed warranty

Volta

Static White - 4.5" Trim Housings

R4RNT | R4SNT | R4RCT | R4SCT | R4BRT

Fixture Type: _____
 Project: _____
 Catalog#: _____
 Location: _____

ORDERING INFORMATION

HOUSINGS (Required)									
	Model	Trim	Power	S	N,F,W	Rating	Driver	Emergency Backup	
New Construction Airtight	R4RN (Round) R4SN (Square)	T Trim	15	10W	15W	IC	DEFAULT L1	ELV, 0-10V Lutron Hi-Lume 1%	EM
			25	15W	23W	IC			
			36	22W	34W	Non-IC			
New Construction Airtight Chicago Plenum	R4RC (Round) R4SC (Square)	T Trim	15	10W	15W	IC	DEFAULT L1	ELV, 0-10V Lutron Hi-Lume 1%	EM
			25	15W	23W	IC			
			36	22W	34W	Non-IC			
Remodel Round or Square	R4BR	T Trim	15	10W	15W	Non-IC	DEFAULT	ELV, 0-10V	N/A
			25	15W	23W	Non-IC			
			36	22W	34W	Non-IC			

Field Replaceable Driver (New Construction Only)	
D-R4N-15	Driver for 15W
D-R4N-25	Driver for 23W
D-R4N-36	Driver for 34W

INSTALLATION

Trim Model	Trim Description	Ceiling Thickness		
		1/2"	1"	1 1/2"
R4RD2T R4SD2T	Downlight	Yes	Yes	Yes
R4RD1T R4SD1T	Shallow Regressed Downlight	Yes	Yes	Yes
R4RAT R4SAT	Adjustable	Yes, to 45°	Yes, to 45°	Yes, to 35°
R4RWT R4SWT	Wall Wash	Yes	Yes	No