

Volta

Tunable White - 4.5" Adjustable

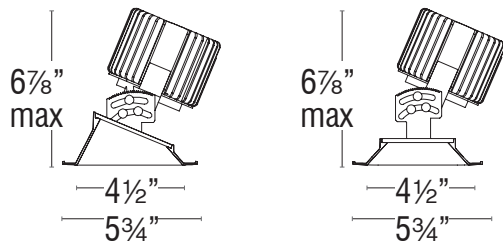
R4RAT | R4RAL | R4SAT | R4SAL

Fixture Type: _____
 Project: _____
 Catalog#: _____
 Location: _____

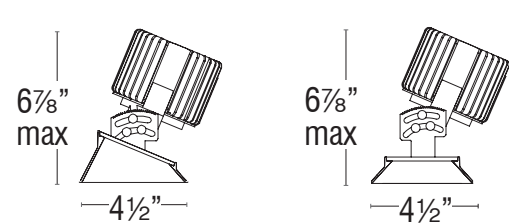


LINE DRAWING

TRIM



TRIMLESS



PRODUCT DESCRIPTION

Volta 4.5" Tunable White recessed series represents an innovation in design and technology for architectural lighting. This high lumen and adaptable family of fixtures with a comprehensive set of round and square fittings, affords a sustainable solution for commercial, corporate, and upscale residential applications. The Adjustable Volta fixtures are capable of adjusting 0-45° vertically and 365° horizontally with locking positions.

SPECIFICATIONS

Construction:	Durable die-cast self flanged aluminum construction
Mounting:	Heavy gauge retention clips support trim firmly Ceiling cut out (Round): Trim \varnothing 5 $\frac{1}{8}$ " Trimless \varnothing 5 $\frac{1}{8}$ " Ceiling cut out (Square): Trim 5 $\frac{1}{8}$ " x 5 $\frac{1}{8}$ " Trimless 5 $\frac{1}{8}$ " x 5 $\frac{1}{8}$ " Accommodates ceiling thickness of 1/2" - 1" up to 45°, 1 1/2" up to 35°
Light Source:	High output 3-step Mac Adam Ellipse COB Rated life of 50,000 hours at L70
Input:	Universal 120-277V AC, 50/60 Hz
Dimming:	2 Channel 0-10V: 100-0.1% 2 Channel DMX512-A with RDM: 100-0.1% linear dimming. Channels for intensity and CCT tuning.
Maximum Delivered Intensity:	Up to 7,868 cd (Round Narrow Flood 25°, TWB 5000K, CRI 98)
Maximum Delivered Output:	Up to 2,150 lm (Round Narrow Flood 25°, TWB 5000K, CRI 98)
Standards:	ETL & cETL Wet location listed, Title 24 JA8 Compliant
Warranty:	5 year WAC Lighting guaranteed warranty

BEAM ANGLES



FINISHES



TRIM STYLES



Model	Beam	Lumens Ref Output*	CBCP	Color Temp	CRI
R4RAT Round Trim R4RAL Round Trimless	N 25°	Round	1930	6745	TWA 1800K-4000K 98
		Square	1615	5645	
	F 45°	Round	1750	3410	
		Square	1485	2890	
R4SAT Square Trim R4SAL Square Trimless	N 25°	Round	1920	7025	TWB 2700K-6500K 98
		Square	1605	5880	
	F 45°	Round	1775	3455	
		Square	1505	2930	

Lumens and CBCP are reference values for TWA/TWB trim tuned to 3000K Color Temperature with 36 housing. Refer to Multiplier Table in Performance Data to determine other outputs.

Volta

Tunable White - 4.5" Adjustable

R4RAT | R4RAL | R4SAT | R4SAL

Fixture Type: _____

Project: _____

Catalog#: _____

Location: _____

ORDERING INFORMATION

CONFIGURATION TABLE				
Model	Beam	Color Temperature & CRI	Reflector Finish	Trim Finish
R4RAT	N: Narrow Flood - 25°	TWA - 1800K-4000K	BK - BLACK	WT - WHITE
R4SAT	F: Flood - 45°	TWB - 2700K-6500K	CB - COPPER	
R4RAL			HZ - HAZE	
R4SAL			WT - WHITE	

R4RAT-____-__

Example: R4RAT-NTWA-WT

HOUSINGS (Required)						
Model	Trim	Power	Rating	Driver		
New Construction Airtight	R4RN (Round)	T <i>Trim</i>	15 20W	<i>IC</i>	T-X DMX512-A	T-Z 2CH 0-10V
		L <i>Trimless</i>	25 29W	<i>IC</i>		
			36 44W	<i>Non-IC</i>		
New Construction Airtight Chicago Plenum	R4RC (Round)	T <i>Trim</i>	15 20W	<i>IC</i>	T-X DMX512-A	T-Z 2CH 0-10V
		L <i>Trimless</i>	25 29W	<i>IC</i>		
			36 44W	<i>Non-IC</i>		
Remodel Round or Square	R4BR	T <i>Trim</i>	15 20W	<i>Non-IC</i>	T-X DMX512-A	T-Z 2CH 0-10V
		L <i>Trimless</i>	25 29W	<i>Non-IC</i>		
			36 44W	<i>Non-IC</i>		
Remodel	R4RR (Round)	L <i>Trimless</i>	15 20W	<i>Non-IC</i>	T-X DMX512-A	T-Z 2CH 0-10V
			25 29W	<i>Non-IC</i>		
			36 44W	<i>Non-IC</i>		
	R4SR (Square)	L <i>Trimless</i>	15 20W	<i>Non-IC</i>	T-X DMX512-A	T-Z 2CH 0-10V
			25 29W	<i>Non-IC</i>		
			36 44W	<i>Non-IC</i>		

ACCESSORIES			
LENS-73-HLD	<i>Accessory Holder</i>	LENS-73-GRN	<i>Green Lens</i>
LENS-73-HCM	<i>Honeycomb Louver</i>	LENS-73-RED	<i>Red Lens</i>
LENS-73-CRL	<i>Cross Louver</i>	LENS-73-FR	<i>Frosted Lens</i>
LENS-73-SNOOT	<i>Snoot</i>	LENS-73-SPR	<i>Spread Lens</i>
LENS-73-AMB	<i>Amber Lens</i>	LENS-73-BEL	<i>Beam Elongating Lens</i>
LENS-73-BLU	<i>Blue Lens</i>		

FIELD REPLACEABLE DRIVER (New Construction)	
D-R4N-15T-X	DMX512-A Driver for 20W
D-R4N-25T-X	DMX512-A Driver for 29W
D-R4N-36T-X	DMX512-A Driver for 44W
D-R4N-15T-Z	2CH 0-10V Driver for 20W
D-R4N-25T-Z	2CH 0-10V Driver for 29W
D-R4N-36T-Z	2CH 0-10V Driver for 44W

INTERCHANGEABLE REFLECTORS	
REF-R4-N	<i>Narrow Flood Beam</i>
REF-R4-F	<i>Flood Beam</i>
REF-R4-W	<i>Wide Beam</i>

ORDERING NOTES

- The "White" trim finish is only available with the reflector finishes "Black" and "Haze".
- Trimless fixtures cannot be ordered with a trim finish.
- The "Narrow Flood - 25°" and "Flood - 45°" beam angles are available in 20W, 29W, and 44W.

wacarchitectural.com | WAC Architectural, a WAC Group brand.

WAC Group Headquarters
44 Harbor Park Drive
Port Washington, NY 11050

WAC Architectural
Phone (800) 526.2588
Fax (800) 526.2585

APR 2026 | P. 2 of 9

WAC GROUP

Volta

Tunable White - 4.5" Adjustable

R4RAT | R4RAL | R4SAT | R4SAL

Fixture Type: _____
 Project: _____
 Catalog#: _____
 Location: _____

FEATURES

<p>Optics:</p> <ul style="list-style-type: none"> The adjustable optics have a moving range of 0-45° vertically and 365° horizontally lockable hot aiming Center beam alignment retained through the full adjustment range An indexed vertical scale is built-in for precise and accurate alignment 	<p>Construction:</p> <ul style="list-style-type: none"> Durable die-cast self flanged aluminum construction Heavy gauge retention clips support trim firmly
<p>LED:</p> <ul style="list-style-type: none"> High output COB LED with a 3-step Mac Adam ellipse Rated operational life of 50,000 hours at L70 (LED maintains 70% of its initial delivered lumens when brand new for 50,000 hours of use.) Natural and Vivid Precision LED CCT Tuning Consistent 98 CRI across all settings 	<p>Trim and Reflector:</p> <ul style="list-style-type: none"> Integral patterned tempered trim lens included standard with every fixture
<p>Electrical:</p> <ul style="list-style-type: none"> Volta is compatible with 120-277 VAC, 50/60 Hz Housings for the Volta 4.5" family are available in 20W, 29W, 44W, with varying ratings and standards 	<p>Installation:</p> <ul style="list-style-type: none"> Requires housing for installation. New Construction housings for this fixture are IC rated based on power level. The 36 power level is non-IC rated. All Remodel housings are non-IC rated.
<p>Dimming:</p> <ul style="list-style-type: none"> Linear dimming: 1st channel input is intensity changing, 2nd channel input is CCT changing 2 Channel 0-10V: 100 - 0.1% 2 Channel DMX512-A with RDM: 100 - 0.1% 	<p>Warranty:</p> <ul style="list-style-type: none"> WAC Architectural limited warranty up to 5 years Full warranty found at: wacighting.com/warranty
<p>Notes:</p> <ul style="list-style-type: none"> Trim and trimless fixtures of the same shape (Round/Square) have the same performance. Minor variations occur due to fixture shape. The White and Black finishes are powder coated while the Haze is enamel coated and the Copper Bronze is plated and brushed. The Volta product family is compatible with a wide range of accessories. Use the DMX Byte Value vs CCT table to determine how to set each CCT value. 	

Volta

Tunable White - 4.5" Adjustable

R4RAT | R4RAL | R4SAT | R4SAL

Fixture Type: _____

Project: _____

Catalog#: _____

Location: _____

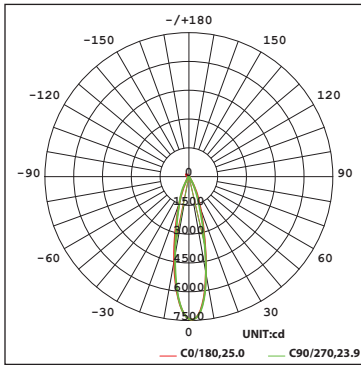
PERFORMANCE DATA

Polar Candela Distribution Charts

Samples shown with a 44W fixture set to 4000K and 98 CRI.

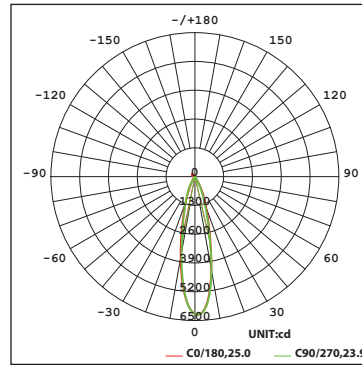
ROUND

Narrow Flood Beam: 25° Beam

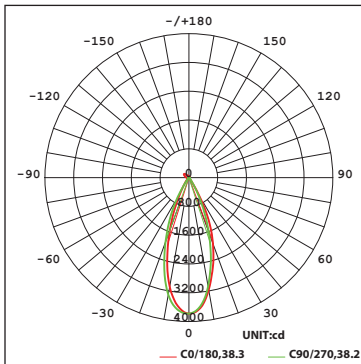


SQUARE

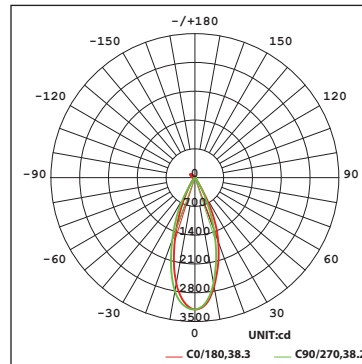
Narrow Flood Beam: 25° Beam



Flood Beam: 45° Beam



Flood Beam: 45° Beam



Volta

Tunable White - 4.5" Adjustable

R4RAT | R4RAL | R4SAT | R4SAL

Fixture Type: _____

Project: _____

Catalog#: _____

Location: _____

PERFORMANCE DATA

Unified Glare Rating (UGR) Table

UGR values shown are calculated for a Round Trim fixture with a 44W Narrow Flood Beam (25°) optic at 4000K and 98 CRI. General performance of other beam angles shown below.

ceiling/cavity	0.7	0.7	0.5	0.5	0.3	0.7	0.7	0.5	0.5	0.3	
walls	0.5	0.3	0.5	0.3	0.3	0.5	0.3	0.5	0.3	0.3	
working plane	0.2	0.2	0.2	0.2	0.2	0.2	0.2	0.2	0.2	0.2	
Room dimensions	Viewed crosswise					Viewed endwise					
x = 2H y = 2H	4.7	5.5	5.1	5.7	6.0	3.6	4.3	4.0	4.6	4.9	
3H	5.2	5.9	5.6	6.2	6.6	3.9	4.6	4.3	4.9	5.3	
4H	5.7	6.3	6.1	6.7	7.1	3.9	4.6	4.3	4.9	5.3	
6H	6.8	7.4	7.3	7.8	8.2	3.9	4.5	4.4	4.9	5.3	
8H	8.5	9.0	8.9	9.4	9.9	3.9	4.5	4.3	4.9	5.3	
12H	10.8	11.4	11.3	11.8	12.2	3.9	4.4	4.3	4.8	5.3	
4H	2H	4.7	5.3	5.1	5.7	6.1	3.7	4.3	4.1	4.7	5.1
3H	5.4	5.9	5.8	6.3	6.8	4.0	4.6	4.5	5.0	5.4	
4H	6.0	6.5	6.5	6.9	7.4	4.1	4.6	4.6	5.0	5.5	
6H	7.4	7.8	7.9	8.3	8.8	4.1	4.6	4.6	5.0	5.6	
8H	9.3	9.7	9.8	10.2	10.8	4.1	4.5	4.6	5.0	5.6	
12H	12.0	12.4	12.6	12.9	13.5	4.1	4.5	4.6	5.0	5.5	
8H	4H	5.9	6.3	6.4	6.8	7.4	4.1	4.5	4.6	5.0	5.5
6H	7.5	7.8	8.1	8.4	9.0	4.1	4.5	4.7	5.0	5.6	
8H	9.6	9.9	10.2	10.5	11.1	4.1	4.4	4.7	5.0	5.6	
12H	12.7	13.0	13.3	13.6	14.2	4.1	4.4	4.7	5.0	5.6	
12H	4H	5.8	6.2	6.4	6.7	7.3	4.1	4.5	4.7	5.0	5.6
6H	7.5	7.8	8.0	8.3	8.9	4.2	4.5	4.8	5.1	5.7	
8H	9.6	9.9	10.2	10.5	11.1	4.2	4.5	4.8	5.0	5.7	

Round Fixture	Angle	UGR Range
Narrow Flood	25°	≤14
Flood	45°	≤14

Square Fixture	Angle	UGR Range
Narrow Flood	25°	≤14
Flood	45°	≤14

Lumens and CBCP Multiplier Table

Use the below table to determine lumens and CBCP values for the combinations of power, color temperature, and CRI values.

Lumens & CBCP Multiplier		Color Temperature					
TWA (1800K - 4000K)	Housing Power Level	1800K	2200K	2700K	3000K	3500K	4000K
	36 (44W)	0.68	0.82	0.94	1.00	1.07	1.11
	25 (29W)	0.48	0.57	0.66	0.70	0.75	0.78
	15 (20W)	0.33	0.39	0.45	0.48	0.51	0.53
TWB (2700K - 6500K)	Housing Power Level	2700K	3000K	3500K	4000K	5000K	6500K
	36 (44W)	0.96	1.00	1.06	1.09	1.12	1.11
	25 (29W)	0.67	0.70	0.74	0.76	0.78	0.78
	15 (20W)	0.46	0.48	0.51	0.52	0.54	0.53

Volta

Tunable White - 4.5" Adjustable

R4RAT | R4RAL | R4SAT | R4SAL

Fixture Type: _____

Project: _____

Catalog#: _____

Location: _____

PERFORMANCE DATA

NATURAL TUNABLE WHITE CCT TUNING:

The CCT of the Volta Tunable White fixture may be adjusted.

Using the DMX byte values in the adjacent table mapped to CH1 and CH2 of the desired output, the Volta Tunable White fixture may be tuned to increments of 100K (Kelvin) from 1800K to 4000K for TWA and 2700K to 6500K for TWB, at full intensity.

Note: Through compatible RDM tool, fixture channels can be reassigned to desired consecutive channels. Factory default is DMX channel 1 and 2.

VOLTA 4.5" TUNABLE WHITE DMX BYTE VALUE VS CCT

TWA DMX BYTE VALUES AT FULL INTENSITY

CCT (K)	CH 1: INTENSITY	CH 2: CCT
4000	255	255
3900	255	250
3800	255	240
3700	255	230
3600	255	219
3500	255	207
3400	255	196
3300	255	186
3200	255	176
3100	255	163
3000	255	153
2900	255	140
2800	255	130
2700	255	117
2600	255	105
2500	255	92
2400	255	79
2300	255	66
2200	255	51
2100	255	38
2000	255	23
1900	255	10
1800	255	0

TWB DMX BYTE VALUES AT FULL INTENSITY

CCT (K)	CH 1: INTENSITY	CH 2: CCT
6500	255	252
6400	255	249
6300	255	245
6200	255	243
6100	255	241
6000	255	237
5900	255	234
5800	255	230
5700	255	226
5600	255	222
5500	255	218
5400	255	214
5300	255	210
5200	255	205
5100	255	200
5000	255	195
4900	255	190
4800	255	185
4700	255	180
4600	255	175
4500	255	170
4400	255	164
4300	255	158
4200	255	151
4100	255	143
4000	255	134
3900	255	125
3800	255	119
3700	255	110
3600	255	101
3500	255	92
3400	255	83
3300	255	74
3200	255	64
3100	255	53
3000	255	41
2900	255	29
2800	255	15
2700	255	0

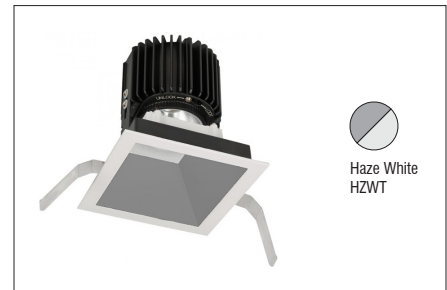
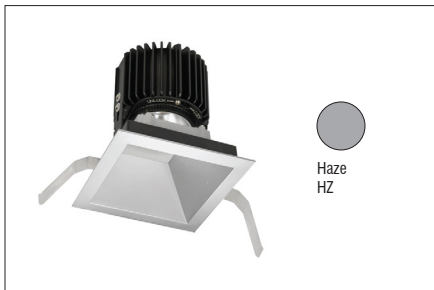
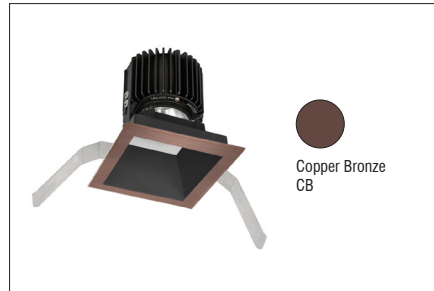
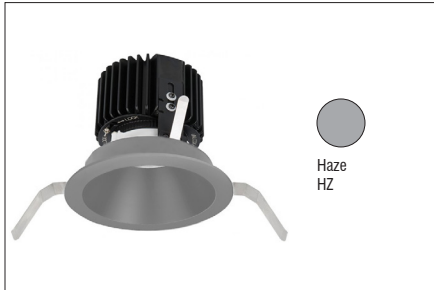
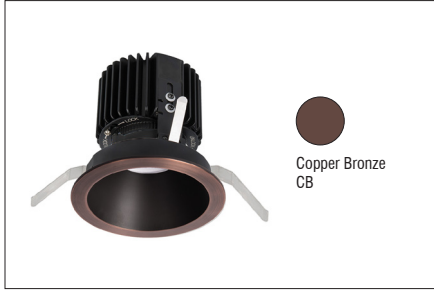
Volta

Tunable White - 4.5" Adjustable

R4RAT | R4RAL | R4SAT | R4SAL

Fixture Type: _____
 Project: _____
 Catalog#: _____
 Location: _____

TRIM AND HOUSING COLOR OPTIONS



ROUND TRIM

SQUARE TRIM

Volta

Tunable White - 4.5" Adjustable

R4RAT | R4RAL | R4SAT | R4SAL

Fixture Type: _____

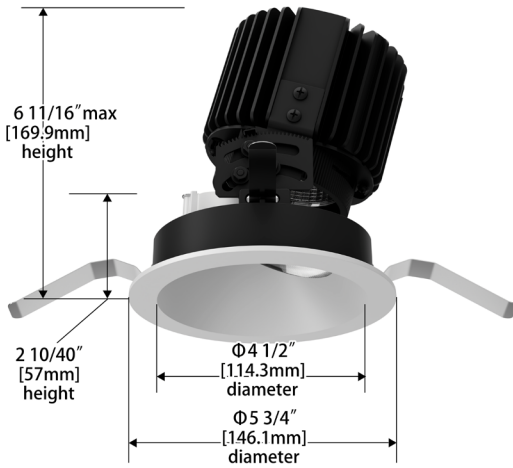
Project: _____

Catalog#: _____

Location: _____

DIMENSIONAL DIAGRAMS

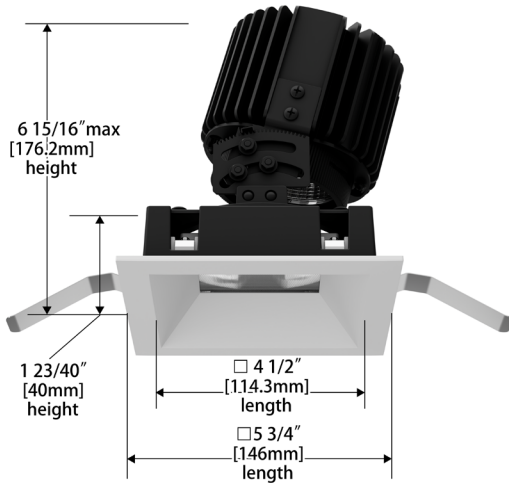
Round Trim (R4RAT)



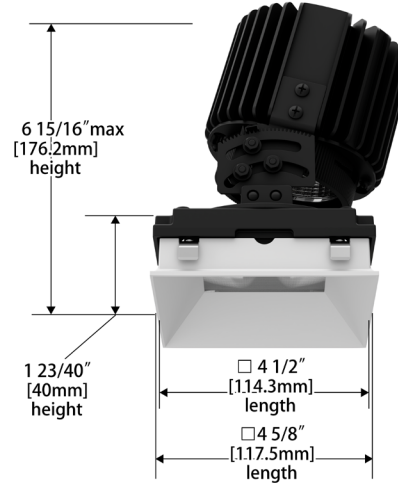
Round Trimless (R4RAL)



Square Trim (R4SAT)



Square Trimless (R4SAL)



Volta

Tunable White - 4.5" Adjustable

R4RAT | R4RAL | R4SAT | R4SAL

Fixture Type: _____

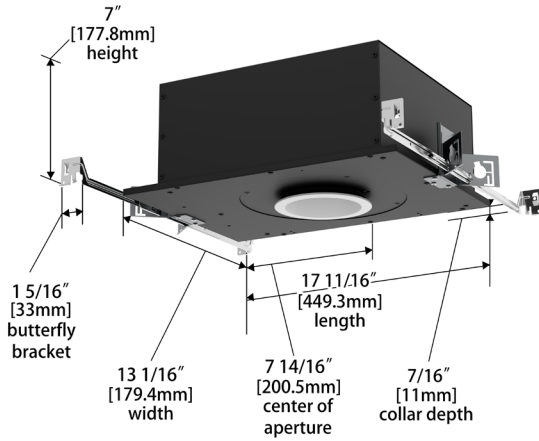
Project: _____

Catalog#: _____

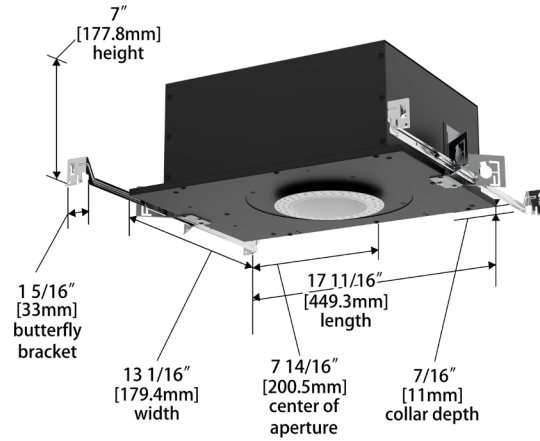
Location: _____

DIMENSIONAL DIAGRAMS

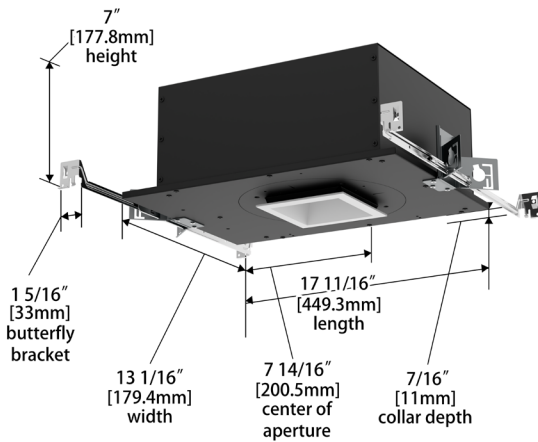
New Construction - Round Trim



New Construction - Round Trimless



New Construction - Square Trim



New Construction - Square Trimless

