

Aether Atomic

Round and Square Trimmed Downlight Housing

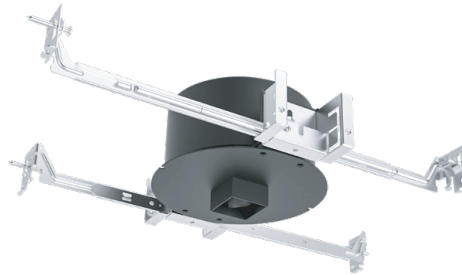
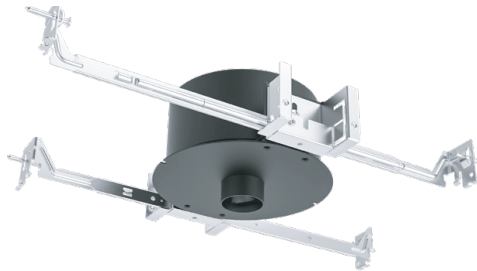
R1ARNT | R1ASNT

Fixture Type: _____

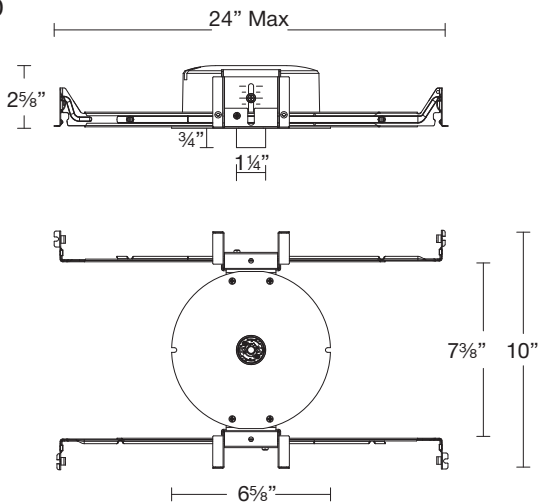
Project: _____

Catalog#: _____

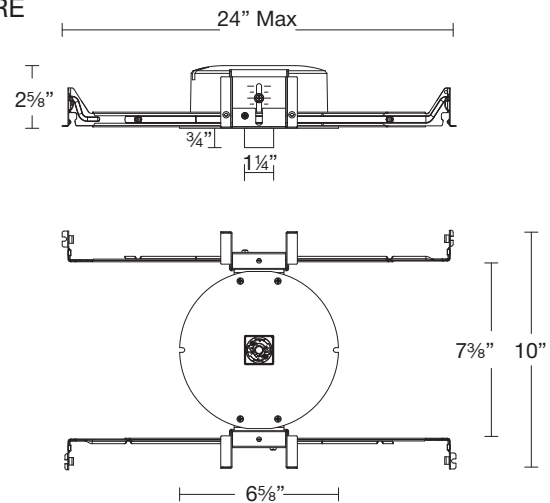
Location: _____



ROUND



SQUARE



PRODUCT DESCRIPTION

Minuscule and mighty, peerless and powerful, the new potent Aether Atomic launches into the light. An engineering recessed marvel for next generation futurists. Sublime and serviceable, it's an icon for the ages. Atomic breaks the mold with robust illumination from a diminutive aperture, for a clean, quiet

SPECIFICATIONS

Construction: Durable die-cast aluminum housing

Dimming: ELV, TRIAC, and 0-10V: 100 - 1%

Input Power: 11W

Light Source: High output 3-step Mac Adam Ellipse COB
Rated life of 50,000 hours at L70

Mounting: Suitable for installations on grid, wood, or drywall ceilings
Drywall and Grid: Accommodates 1/2" - 3/4" ceiling thickness
Wood: Accommodates 1/2" - 2" ceiling thickness

Standards: ETL & cETL Damp location listed, IC rated Airtight, Title 24 JA8 Compliant

Warranty: 5 year WAC Lighting guaranteed warranty

Aether Atomic

Round and Square Trimmed Downlight Housing

R1ARNT | R1ASNT

Fixture Type: _____
 Project: _____
 Catalog#: _____
 Location: _____

ORDERING INFORMATION

HOUSINGS

Model	Power	Color Temp	CRI	Rating
Round Trimmed, Airtight R1ARNT	11W	927 2700K	90	IC
		930 3000K	90	IC
		935 3500K	90	IC
Square Trimmed, Airtight R1ASNT	11W	940 4000K	90	IC
		WD 3000K-1800K	90	IC

R1A ___ - ___

Example: R1ARNT-927

REMOTE POWER SUPPLY (Required)

Model	Input	Output	Dimmable	Dimensions
PS-0600A-UR1	120V-277V	1 Channel UL Class 2	ELV, TRIAC, 0-10V 100 - 1%	8 ³ / ₄ " x 2" x 1 ³ / ₈ "
PS-0600A-UR6	120V-277V	6 Channel UL Class 2	ELV, TRIAC, 0-10V 100 - 1%	10 ⁷ / ₈ " x 3 ⁷ / ₈ " x 1 ³ / ₈ "

ACCESSORIES (Sold Separately)

Model	Description
R1A-TOOL	Service tool for removing trim and light engine. Required for Adjustable fixtures and housings.

REPLACEMENT LIGHT ENGINE

- RPL-R1A-MOD-927**
- RPL-R1A-MOD-930**
- RPL-R1A-MOD-935**
- RPL-R1A-MOD-940**
- RPL-R1A-MOD-WD**