

Volta

Static White - 4.5" Wall Wash

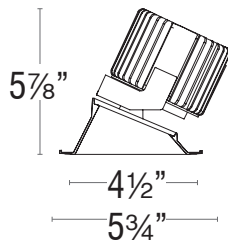
R4RWT | R4RWL | R4SWT | R4SWL

Fixture Type: _____
 Project: _____
 Catalog#: _____
 Location: _____

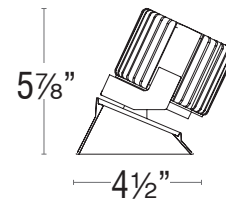


LINE DRAWING

TRIM



TRIMLESS



PRODUCT DESCRIPTION

Volta LED downlight series represents an innovation in design and technology for architectural lighting. This high lumen and adaptable family of fixtures with a comprehensive set of round and square fittings, affords a sustainable solution for commercial, corporate, and upscale residential applications. Wall Wash Volta fixtures are equipped with an innovative bidirectional spread lens.

SPECIFICATIONS

Construction: Durable die-cast self flanged aluminum construction

Mounting: Heavy gauge retention clips support trim firmly
 Ceiling cut out (Round): Trim \varnothing 5 ¹/₈" \bigcirc
 Trimless \varnothing 5 ¹/₈" \bigcirc
 Ceiling cut out (Square): Trim 5 ¹/₈" x 5 ¹/₈" \square
 Trimless 5 ¹/₈" x 5 ¹/₈" \square
 Accommodates ceiling thickness of 1/2" - 1"

Light Source: High output 3-step Mac Adam Ellipse COB
 Rated life of 50,000 hours at L70

Input: Universal 120-277V AC, 50/60 Hz

Dimming: 0-10V: 100-0%
 Electronic Low Voltage (ELV): 100-5%
 Lutron Hi-Lume 1% Ecosystem Fade-to-Black option

Maximum Delivered Output: Up to 2,573 lm (Square Asymmetric, 4000K, CRI 85)

Standards: ETL & cETL Wet location listed

Warranty: 5 year WAC Lighting guaranteed warranty

BEAM ANGLES



FINISHES



Model	Beam	Ref Output*		Color Temp	CRI		
		Lumens	Lumens/Watt				
R4RWT R4RWL	Round	A Asym	Round	1995	58	827 - 2700K	85
			Square	2405	71	830 - 3000K	85
						835 - 3500K	85
R4SWT R4SWL	Square	A Asym	Round	1995	58	840 - 4000K	85
			Square	2405	71	927 - 2700K	90
						930 - 3000K	90

Lumens and CBCP are reference values for 3000K Color Temperature and 85 CRI with 36 housing. Refer to Multiplier Table in Performance Data to determine other outputs.

Volta

Static White - 4.5" Wall Wash

R4RWT | R4RWL | R4SWT | R4SWL

Fixture Type: _____

Project: _____

Catalog#: _____

Location: _____

ORDERING INFORMATION

CONFIGURATION TABLE				
Model & Power	Beam	Color Temperature & CRI	Reflector Finish	Trim Finish
R4RWT	A - Asym	827 - 2700K - 85	BK - BLACK	WT - WHITE
R4SWT		830 - 3000K - 85	CB - COPPER	
R4RWL		835 - 3500K - 85	HZ - HAZE	
R4SWL		840 - 4000K - 85	WT - WHITE	
		927 - 2700K - 90		
		930 - 3000K - 90		

R4RWT-____-__

Example: R4RWT-N840-WT

HOUSINGS (Required)									
Model	Trim	Power	S	N,F,W	Rating	Driver	Emergency Backup		
New Construction IC Airtight	R4RN (Round)	T Trim	15	10W	15W	IC	DEFAULT <i>ELV, 0-10V</i>	EM	
		L Trimless	25	15W	23W	IC			L1 <i>Lutron Hi-Lume 1%</i>
			36	22W	34W	Non-IC			
New Construction IC Airtight Chicago Plenum	R4RC (Round)	T Trim	15	10W	15W	IC	DEFAULT <i>ELV, 0-10V</i>	EM	
		L Trimless	25	15W	23W	IC			L1 <i>Lutron Hi-Lume 1%</i>
			36	22W	34W	Non-IC			
Remodel Non-IC Round or Square	R4BR	T Trim	15	10W	15W	Non-IC	DEFAULT <i>ELV, 0-10V</i>	N/A	
		L Trimless	25	15W	23W	Non-IC			
			36	22W	34W	Non-IC			
Remodel Non-IC	R4RR (Round)	L Trimless	15	10W	15W	Non-IC	DEFAULT <i>ELV, 0-10V</i>	N/A	
			25	15W	23W	Non-IC			
			36	22W	34W	Non-IC			

FIELD REPLACEABLE DRIVER
D-R4N-15 <i>Driver for 15W New Construction Housing</i>
D-R4N-25 <i>Driver for 23W New Construction Housing</i>
D-R4N-36 <i>Driver for 34W New Construction Housing</i>

ORDERING NOTES
1. The "White" trim finish is only available with the reflector finishes "Black" and "Haze".
2. Trimless fixtures cannot be ordered with a trim finish.
3. The "Asym" beam angle is available in 15W, 23W, and 34W.

Volta

Static White - 4.5" Wall Wash

R4RWT | R4RWL | R4SWT | R4SWL

Fixture Type: _____

Project: _____

Catalog#: _____

Location: _____

FEATURES

<p>Optics:</p> <ul style="list-style-type: none"> • 2" lens regress for superior glare control • Even wall illumination vertically and horizontally thanks to our innovative bidirectional spread lens 	<p>Construction:</p> <ul style="list-style-type: none"> • Durable die-cast self flanged aluminum construction • Heavy gauge retention clips support trim firmly
<p>LED:</p> <ul style="list-style-type: none"> • High output COB LED with a 3-step Mac Adam ellipse • Rated operational life of 50,000 hours at L70 (LED maintains 70% of its initial delivered lumens when brand new for 50,000 hours of use.) 	<p>Trim and Reflector:</p> <ul style="list-style-type: none"> • Integral patterned tempered trim lens included standard with every fixture • Dual finished fixtures are a single piece with no physical seams.
<p>Electrical:</p> <ul style="list-style-type: none"> • Volta is compatible with 120-277 VAC, 50/60 Hz • Housings are available in 10W, 15W, and 22W 	<p>Installation:</p> <ul style="list-style-type: none"> • Requires housing for installation • New Construction housings for these fixtures are IC rated based on power level. The 36 power level (44W) is non-IC rated • All Remodel housings are non-IC rated
<p>Dimming:</p> <ul style="list-style-type: none"> • Electronic Low Voltage (ELV) dimming is capable of a 100 - 5% range. • 0-10V dimming is capable of a 100 - 0% range • The Lutron Hi-Lume 1% Ecosystem Fade-to-Black option is available 	<p>Warranty:</p> <ul style="list-style-type: none"> • WAC Architectural limited warranty up to 5 years • Full warranty found at: wacighting.com/warranty
<p>Notes:</p> <ul style="list-style-type: none"> • Trim and trimless fixtures of the same shape (Round/Square) have the same performance. Minor variations occur due to fixture shape. • The White and Black finishes are powder coated while the Haze is enamel coated and the Copper Bronze is plated and brushed. • The Volta product family is compatible with a wide range of accessories. 	

Volta

Static White - 4.5" Wall Wash

R4RWT | R4RWL | R4SWT | R4SWL

Fixture Type: _____

Project: _____

Catalog#: _____

Location: _____

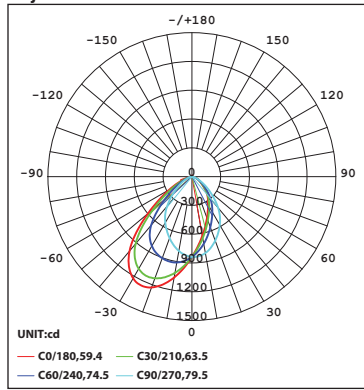
PERFORMANCE DATA

Polar Candela Distribution Charts

Samples shown with a 34W Asymmetric beam (Asym) fixture set to 3000K and 90 CRI.

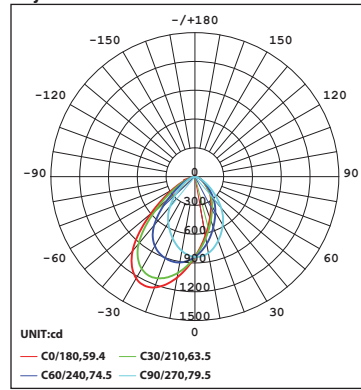
ROUND

Asymmetric Beam



SQUARE

Asymmetric Beam



Volta

Static White - 4.5" Wall Wash

R4RWT | R4RWL | R4SWT | R4SWL

Fixture Type: _____

Project: _____

Catalog#: _____

Location: _____

PERFORMANCE DATA

Unified Glare Rating (UGR) Table

UGR values shown are calculated for a Round Trim fixture with a 34W Asymmetric Beam (Asym) optic at 3000K and 90 CRI. General performance of other beam angles shown below.

ceiling/cavity	0.7	0.7	0.5	0.5	0.3	0.7	0.7	0.5	0.5	0.3	
walls	0.5	0.3	0.5	0.3	0.3	0.5	0.3	0.5	0.3	0.3	
working plane	0.2	0.2	0.2	0.2	0.2	0.2	0.2	0.2	0.2	0.2	
Room dimensions	Viewed crosswise					Viewed endwise					
x = 2H y = 2H	2H	23.1	24.4	23.4	24.6	24.8	19.6	20.9	19.9	21.1	21.3
	3H	23.5	24.7	23.8	24.9	25.1	19.8	21.0	20.0	21.2	21.4
	4H	23.5	24.7	23.9	24.9	25.2	19.7	20.9	20.1	21.1	21.4
	6H	23.5	24.5	23.8	24.8	25.1	19.7	20.8	20.0	21.0	21.3
	8H	23.4	24.5	23.8	24.7	25.0	19.7	20.7	20.0	21.0	21.3
	12H	23.4	24.4	23.7	24.7	25.0	19.6	20.6	20.0	20.9	21.2
4H	2H	23.1	24.2	23.4	24.4	24.7	20.0	21.1	20.3	21.4	21.6
	3H	23.5	24.5	23.9	24.8	25.1	20.2	21.2	20.6	21.5	21.8
	4H	23.7	24.6	24.0	24.9	25.2	20.2	21.1	20.6	21.5	21.8
	6H	23.6	24.4	24.0	24.7	25.1	20.2	21.0	20.6	21.4	21.7
	8H	23.6	24.3	24.0	24.7	25.1	20.2	20.9	20.6	21.3	21.7
	12H	23.5	24.2	24.0	24.6	25.0	20.2	20.9	20.6	21.2	21.7
8H	4H	23.6	24.3	24.0	24.7	25.0	20.2	21.0	20.7	21.3	21.7
	6H	23.5	24.1	24.0	24.5	25.0	20.3	20.9	20.7	21.3	21.7
	8H	23.5	24.0	24.0	24.4	24.9	20.3	20.8	20.7	21.2	21.7
	12H	23.5	23.9	24.0	24.4	24.9	20.3	20.7	20.7	21.2	21.6
12H	4H	23.5	24.2	23.9	24.6	25.0	20.2	20.9	20.6	21.3	21.7
	6H	23.5	24.0	23.9	24.4	24.9	20.2	20.8	20.7	21.2	21.7
	8H	23.5	23.9	23.9	24.4	24.8	20.2	20.7	20.7	21.2	21.6

Round Fixture	Angle	UGR Range
Asymmetric	-	≤25

Square Fixture	Angle	UGR Range
Asymmetric	-	≤25

Lumens and CBCP Multiplier Table

Use the below table to determine lumens and CBCP values for the combinations of power, color temperature, and CRI values.

Multiplier	HOUSING	TRIM					
		827	927	830	930	835	840
36		0.95	0.81	1.00	0.86	1.05	1.07
25		0.66	0.56	0.69	0.59	0.73	0.74
15		0.43	0.37	0.45	0.39	0.48	0.49

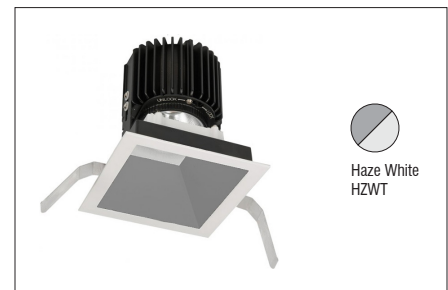
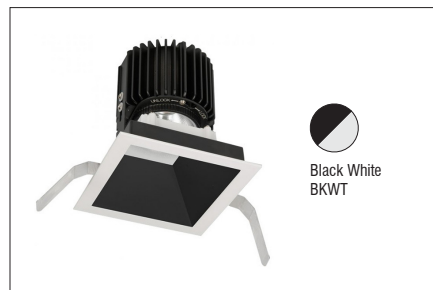
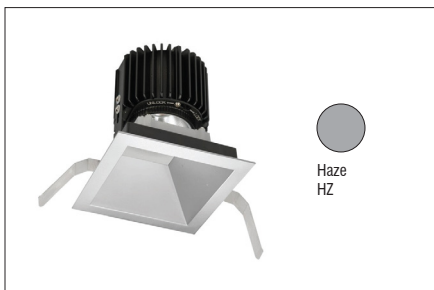
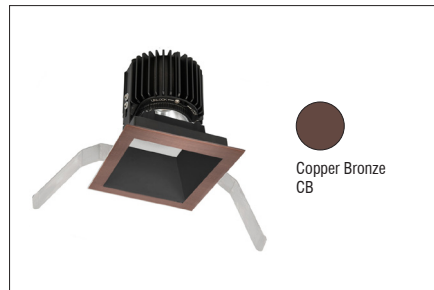
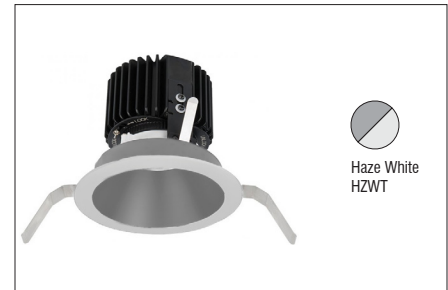
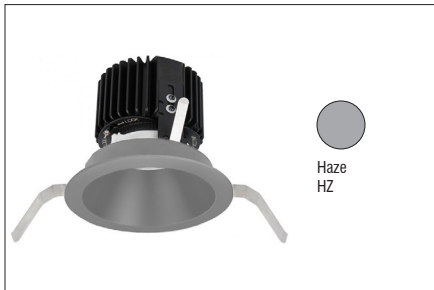
Volta

Static White - 4.5" Wall Wash

R4RWT | R4RWL | R4SWT | R4SWL

Fixture Type: _____
 Project: _____
 Catalog#: _____
 Location: _____

TRIM AND HOUSING COLOR OPTIONS



ROUND TRIM

SQUARE TRIM

Volta

Static White - 4.5" Wall Wash

R4RWT | R4RWL | R4SWT | R4SWL

Fixture Type: _____

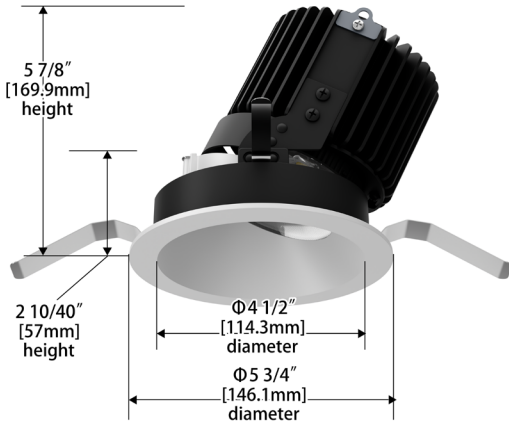
Project: _____

Catalog#: _____

Location: _____

DIMENSIONAL DIAGRAMS

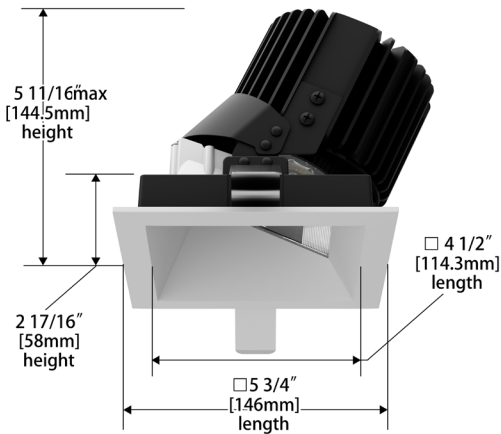
Round Trim (R4RWT)



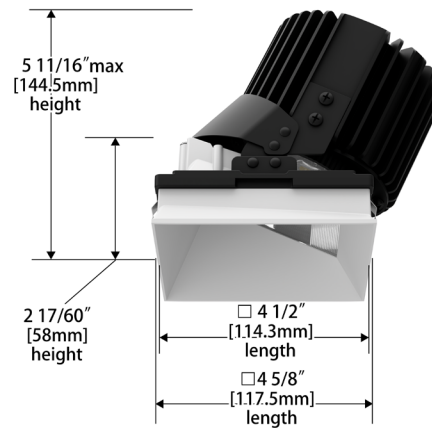
Round Trimless (R4RWL)



Square Trim (R4SWT)



Square Trimless (R4SWL)



Volta

Static White - 4.5" Wall Wash

R4RWT | R4RWL | R4SWT | R4SWL

Fixture Type: _____

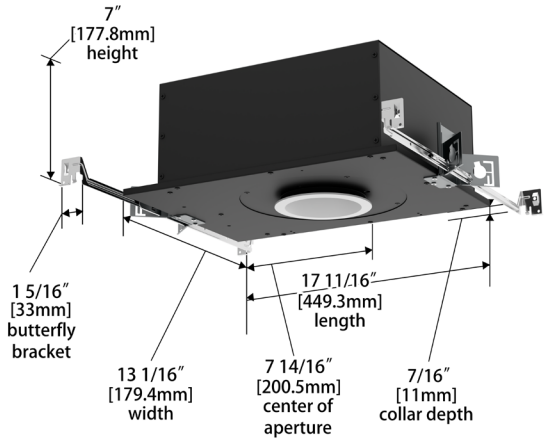
Project: _____

Catalog#: _____

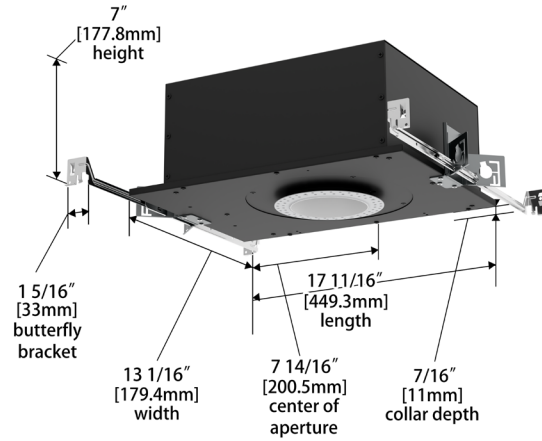
Location: _____

DIMENSIONAL DIAGRAMS

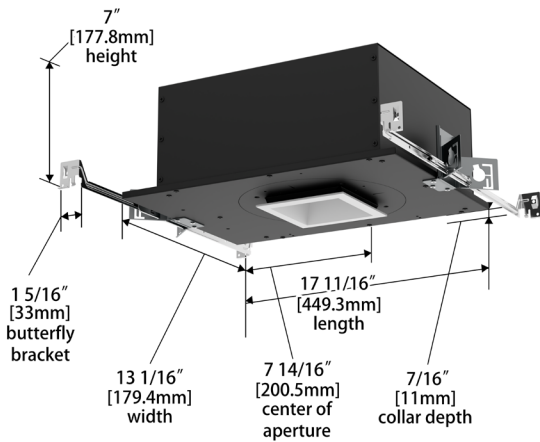
New Construction - Round Trim



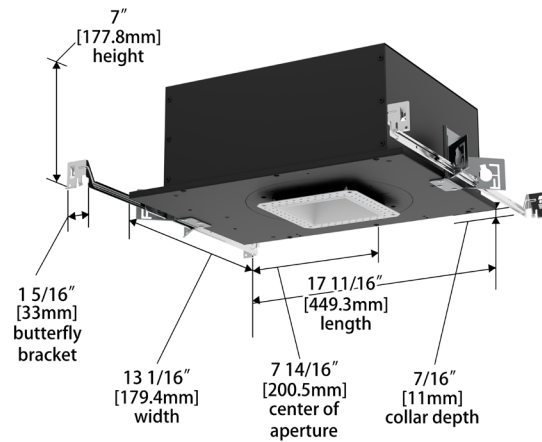
New Construction - Round Trimless



New Construction - Square Trim



New Construction - Square Trimless



Volta

Static White - 4.5" Wall Wash

R4RWT | R4RWL | R4SWT | R4SWL

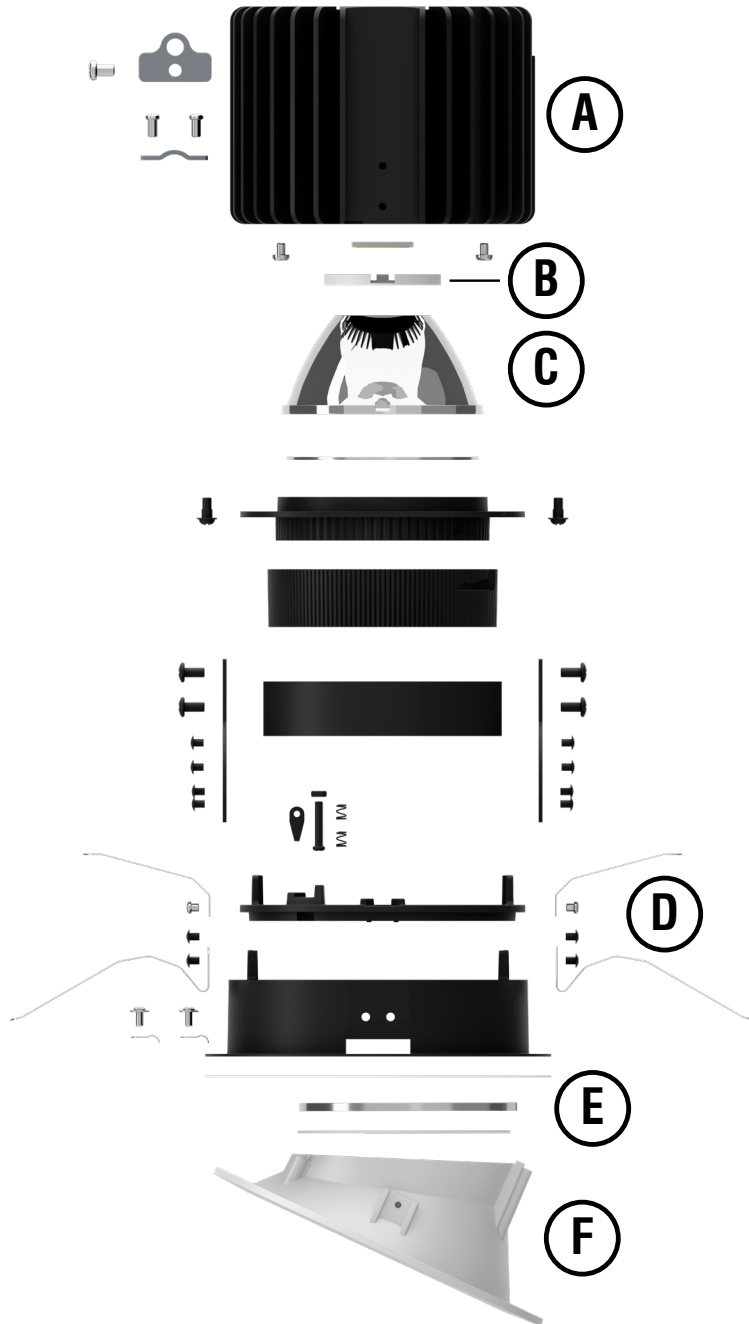
Fixture Type: _____

Project: _____

Catalog#: _____

Location: _____

EXPLODED VIEW DIAGRAM



Exploded View	
A	Heat Sink
B	LED
C	Reflector
D	Support Clips
E	Lens
F	Trim