

Stealth Framing Projector

Large - Adjustable

WTK-1224 | WHK-1224 | MO-1224

Fixture Type: _____

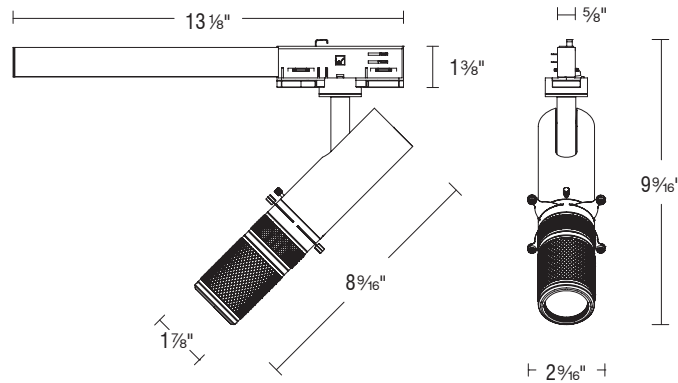
Project: _____

Catalog#: _____

Location: _____



LINE DRAWING



PRODUCT DESCRIPTION

The sleek, stylish luminaire projects a square, rectangular or circular area of light with crisp lines to frame or highlight art objects, providing maximum visual impact. Like a quality camera lens, the innovative projector contains adjustable lenses as well as shims to frame a sharp accenting light the width and length of the object. It can zoom in for a closeup or zoom out to frame larger pieces of art.

FINISHES



SPECIFICATIONS

Construction:	Die-cast aluminum with optical glass lenses
Mounting:	Track mounted; ceiling or wall mounted
Light Source:	Integrated LED, High output 3-step Mac Adam Ellipse Rated life of 50,000 hours at L70
Input:	Universal 120-277V AC, 50/60 Hz
Power:	24W
Dimming:	ELV, TRIAC (120V only): 100 - 5%
Maximum Delivered Intensity:	Up to 9,650 cd (4000K)
Maximum Delivered Output:	Up to 650 lm (4000K)
Operating Temperature:	-4°F to 104°F (-20°C to 40°C)
Standards:	ETL & cETL Damp location listed
Warranty:	5 year WAC Lighting guaranteed warranty

Model	Color Temp	Lumens	CBCP	CRI
WTK-1224 WHK-1224 MO-1224 <small>Ø2 9/16" Ø65mm</small>	927 35°	620	2,257	90
	930 35°	653	2,376	
	935 35°	685	2,495	
	940 35°	705	2,566	



Stealth Framing Projector

Large - Adjustable

WTK-1224 | WHK-1224 | MO-1224

Fixture Type: _____

Project: _____

Catalog#: _____

Location: _____

ORDERING INFORMATION

CONFIGURATION TABLE		
Model & Power	Color Temperature & CRI	Housing Finish
WTK-1224 (120V)	927 - 2700K - 90	BK - BLACK
WHK-1224 (277V)	930 - 3000K - 90	WT - WHITE
MO-1224	935 - 3500K - 90	
	940 - 4000K - 90	

W __ - ____ - __

Example: WTK-1224-F940-BK

MO-1224- ____ - __

Example: MO-1224-930-WT

ORDERING NOTES

1. The WTK-1224 fixture is 120V and the WHK-1224 fixture is 277V. Both fixtures are 24W and track mounted.
2. The MO-1224 fixture is a 24W and 120-277V ceiling mounted monopoint fixture.

Stealth Framing Projector

Large - Adjustable

WTK-1224 | WHK-1224 | MO-1224

Fixture Type: _____

Project: _____

Catalog#: _____

Location: _____

FEATURES

<p>Optics:</p> <ul style="list-style-type: none"> • High definition zoomable projection with precision aiming • Armature capable of 360° horizontal rotation and 90° vertical aiming 	<p>Construction:</p> <ul style="list-style-type: none"> • Die-cast aluminum fixture with optical glass lenses
<p>LED:</p> <ul style="list-style-type: none"> • High output integrated LED with a 3-step Mac Adam ellipse • Rated operational life of 50,000 hours at L70 (LED maintains 70% of its initial delivered lumens when brand new for 50,000 hours of use.) 	<p>Trim and Reflector:</p> <ul style="list-style-type: none"> • Minimum zoom of 13° and a maximum zoom of 35°
<p>Electrical:</p> <ul style="list-style-type: none"> • Input power is universal 120-277VAC and 50/60 Hz • Available in a 24W power level 	<p>Installation:</p> <ul style="list-style-type: none"> • Track mounted (WTK, WHK) • Ceiling and wall mountable as a monopoint fixture (MO)
<p>Dimming:</p> <ul style="list-style-type: none"> • Electronic low voltage (ELV) and TRIAC dimming are available • ELV and TRIAC dimming are capable of a range of 100 - 5% at 120V only 	<p>Warranty:</p> <ul style="list-style-type: none"> • WAC Architectural limited warranty up to 5 years • Full warranty found at: wacighting.com/warranty
<p>Notes:</p> <ul style="list-style-type: none"> • The White and Black finishes are electrostatically powder coated 	

Stealth Framing Projector

Large - Adjustable

WTK-1224 | WHK-1224 | MO-1224

Fixture Type: _____

Project: _____

Catalog#: _____

Location: _____

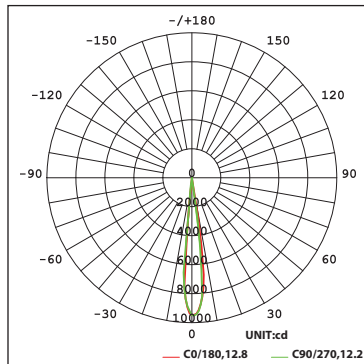
PERFORMANCE DATA

Polar Candela Distribution Charts

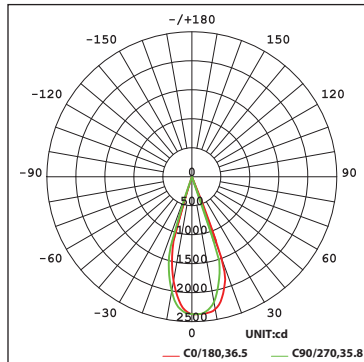
Samples shown with a 24W fixture with a Black finished reflector set to 3000K.

Adjustable

Minimum Zoom - 13°



Maximum Zoom - 35°



Stealth Framing Projector

Large - Adjustable

WTK-1224 | WHK-1224 | MO-1224

Fixture Type: _____

Project: _____

Catalog#: _____

Location: _____

PERFORMANCE DATA

Unified Glare Rating (UGR) Table

UGR values shown are calculated for a 24W adjustable fixture at Minimum Zoom and 20° that is set to 3000K. General performance of other beam angles shown below.

ceiling/cavity	0.7	0.7	0.5	0.5	0.3	0.7	0.7	0.5	0.5	0.3	
walls	0.5	0.3	0.5	0.3	0.3	0.5	0.3	0.5	0.3	0.3	
working plane	0.2	0.2	0.2	0.2	0.2	0.2	0.2	0.2	0.2	0.2	
Room dimensions	Viewed crosswise					Viewed endwise					
x = 2H y = 2H	-17.2	-16.8	-17.0	-16.7	-16.6	-17.1	-16.8	-17.0	-16.7	-16.5	
3H	-16.4	-16.1	-16.2	-15.9	-15.7	-16.3	-15.9	-16.0	-15.8	-15.6	
4H	-16.0	-15.6	-15.7	-15.5	-15.3	-15.8	-15.5	-15.6	-15.3	-15.1	
6H	-15.5	-15.2	-15.2	-15.0	-14.7	-15.1	-14.8	-14.8	-14.6	-14.3	
8H	-15.5	-15.1	-15.2	-14.9	-14.7	-15.0	-14.7	-14.8	-14.5	-14.3	
12H	-15.4	-15.1	-15.1	-14.9	-14.6	-14.8	-14.5	-14.5	-14.2	-14.0	
4H	2H	-17.0	-16.7	-16.7	-16.5	-16.3	-16.9	-16.6	-16.7	-16.4	-16.2
	3H	-16.0	-15.7	-15.7	-15.4	-15.1	-15.8	-15.5	-15.5	-15.3	-15.0
	4H	-15.4	-15.1	-15.0	-14.8	-14.5	-15.2	-14.9	-14.9	-14.6	-14.3
	6H	-14.7	-14.5	-14.4	-14.2	-13.8	-14.3	-14.1	-14.0	-13.7	-13.4
	8H	-14.7	-14.5	-14.3	-14.1	-13.8	-14.3	-14.0	-13.9	-13.7	-13.3
	12H	-14.7	-14.4	-14.3	-14.1	-13.7	-13.9	-13.7	-13.5	-13.3	-13.0
8H	4H	-15.1	-14.9	-14.7	-14.5	-14.2	-15.0	-14.7	-14.6	-14.4	-14.0
	6H	-14.4	-14.2	-14.0	-13.8	-13.4	-14.0	-13.8	-13.6	-13.4	-13.0
	8H	-14.4	-14.2	-13.9	-13.8	-13.3	-13.9	-13.8	-13.5	-13.3	-12.9
	12H	-14.3	-14.1	-13.8	-13.7	-13.2	-13.5	-13.4	-13.1	-12.9	-12.5
12H	4H	-15.1	-14.9	-14.7	-14.5	-14.2	-15.0	-14.8	-14.6	-14.4	-14.0
	6H	-14.4	-14.3	-14.0	-13.8	-13.4	-14.0	-13.9	-13.6	-13.4	-13.0
	8H	-14.4	-14.2	-13.9	-13.8	-13.3	-13.9	-13.8	-13.5	-13.3	-12.9

Round Fixture	Angle	UGR Range
Minimum Zoom	13°	≤ 0
Maximum Zoom	35°	≤ 0
Fixed	50°	≤ 0

Stealth Framing Projector

Large - Adjustable

WTK-1224 | WHK-1224 | MO-1224

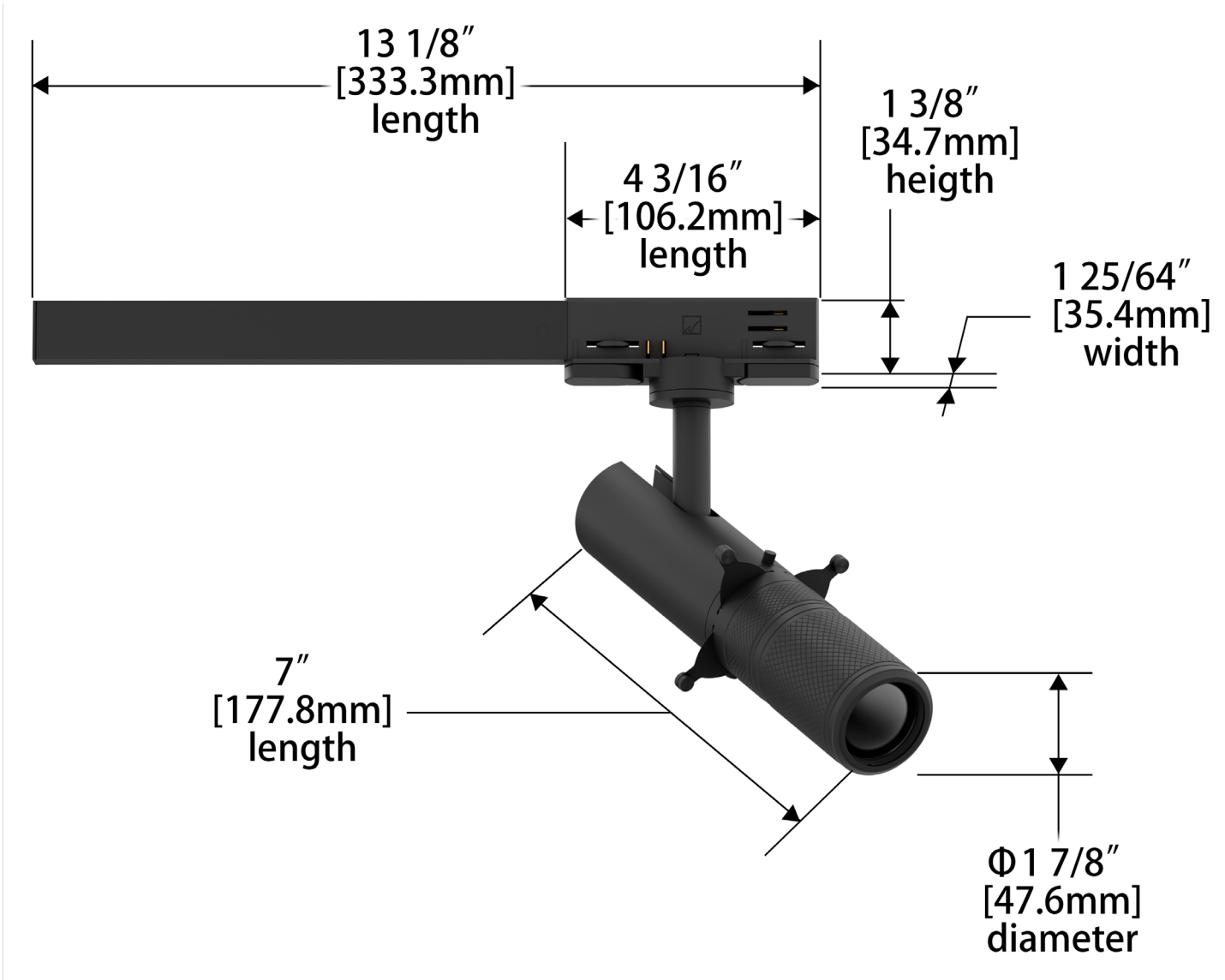
Fixture Type: _____

Project: _____

Catalog#: _____

Location: _____

DIMENSIONAL DIAGRAMS



Stealth Framing Projector

Large - Adjustable

WTK-1224 | WHK-1224 | MO-1224

Fixture Type: _____

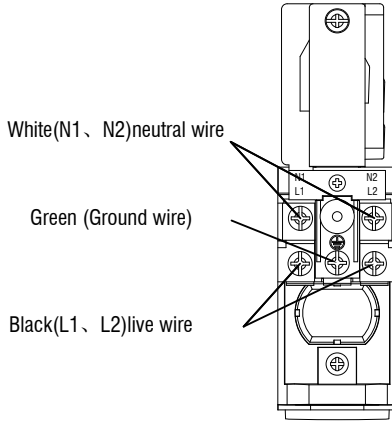
Project: _____

Catalog#: _____

Location: _____

WIRING DIAGRAM

Schematic diagram of track inlet power connection.



Reference diagram for track and track connector circuit.

