

FQ Tunable White

2" New Construction Housing

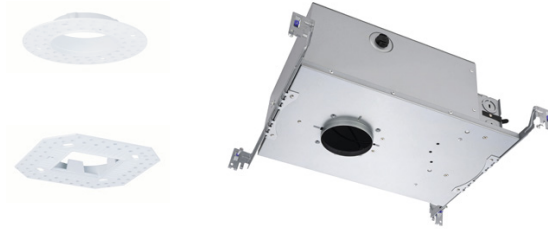
R2FRRL-TW | R2FSRL-TW

Fixture Type: _____

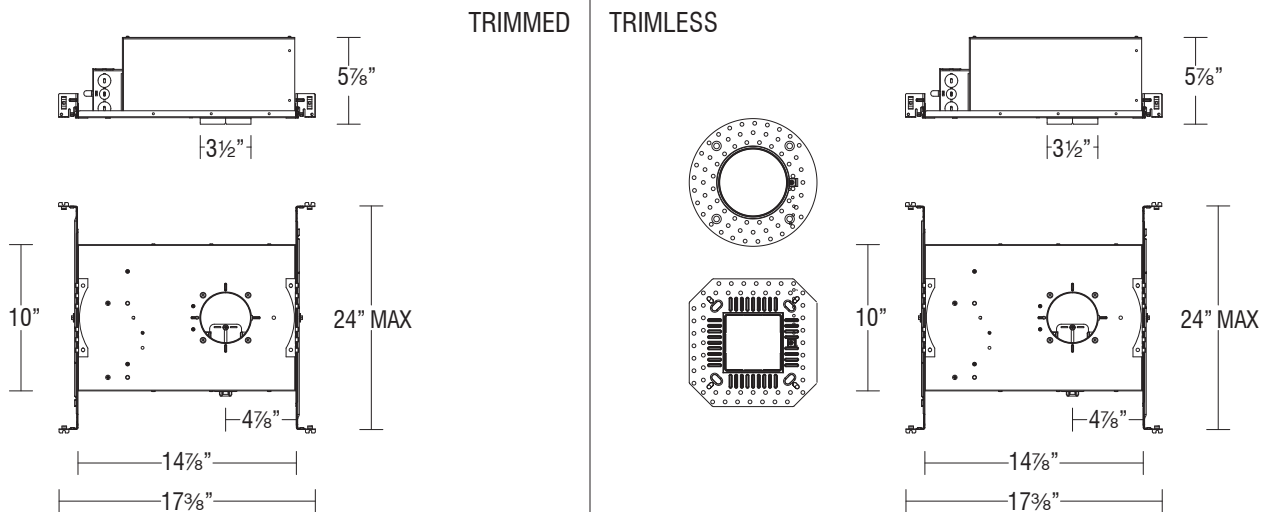
Project: _____

Catalog#: _____

Location: _____



LINE DRAWING



PRODUCT DESCRIPTION

FQ (Function + Quality) Experience simplicity and versatility with FQ 2" recessed luminaires. The fixtures merge modern design with world-class performance to achieve the ultimate in function and flexibility. Enjoy the benefits of two fixtures in one with Tunable White 1800-4000K and Dim-to-Warm 3000K-1800K features built into each luminaire, allowing you to customize the best light to illuminate dining areas, great rooms, primary bedrooms, kitchens, and baths on the fly. Deep regressed light sources deliver a glare-free, quiet ceiling aesthetic for a clean architectural look while providing a robust output from a diminutive source.

TRIM STYLES



Round: R



Square: S

SPECIFICATIONS

- Mounting:** Universal mounting brackets and hanger bars
 Ceiling cut out (Round): $\varnothing 3\frac{1}{2}"$
 Ceiling cut out (Square): $3\frac{1}{2}" \times 3\frac{1}{2}"$
 Accommodates $\frac{1}{2}" - 1\frac{1}{4}"$ ceiling thickness
- Input:** Universal 120-277V AC, 50/60 Hz
- Dimming:** 2 Channel 0-10V: 100-0.1%
 2 Channel DMX512-A with RDM: 100-0.1%
- Standards:** ETL & cETL, Chicago Plenum, IC-rated, Airtight (see list)
- Warranty:** 5 year WAC Lighting guaranteed warranty

FQ Tunable White
2" New Construction Housing
R2FBNT-TW | R2FRNL-TW | R2FSNL-TW

Fixture Type: _____
Project: _____
Catalog#: _____
Location: _____

ORDERING INFORMATION

HOUSINGS					
	Model	Control Options	Power	Rating	
New Construction Trim - Airtight	R2FBNT-TW (Round & Square)	X <i>DMX512-A</i>	1 <i>14W</i>	<i>IC</i>	
		Z <i>0-10V</i>	2 <i>18W</i>	<i>IC</i>	
New Construction Trimless - Airtight	R2FRNL-TW (Round) R2FSNL-TW (Square) Spackle frame included	X <i>DMX512-A</i>	1 <i>14W</i>	<i>IC</i>	
		Z <i>0-10V</i>	2 <i>18W</i>	<i>IC</i>	

Housing Model	Power	Replacement Driver Model
R2FBNT-TW	1 <i>14W</i>	<i>D-R2FN-TW-1</i>
R2FRNL-TW	2 <i>18W</i>	<i>D-R2FN-TW-2</i>
R2FSNL-TW		