

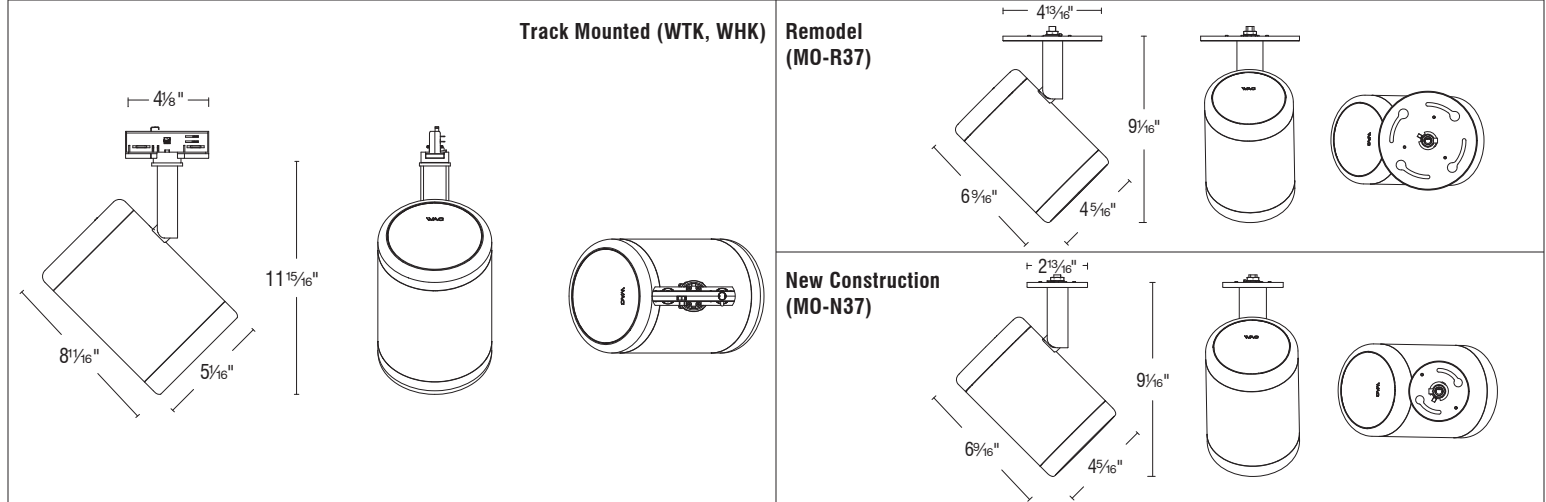
## Mere High Power COB

WTK-37 | WHK-37 | MO-N37 | MO-R37

Fixture Type: \_\_\_\_\_  
 Project: \_\_\_\_\_  
 Catalog#: \_\_\_\_\_  
 Location: \_\_\_\_\_



### LINE DRAWING



### PRODUCT DESCRIPTION

Smarter, more flexible, and more versatile MERE track lighting. MERE offers a wide range of optical configurations, color temperatures, accessories, and even a DIY intelligent control module. The innovative 0-10V and knob dimming design makes on-site system commissioning and individual adjustment more flexible and convenient.

### SPECIFICATIONS

<b>Construction:</b>	Injection molded polycarbonate low glare trim
<b>Mounting:</b>	Track mounted (WTK, WHK); ceiling mounted (MO) Ceiling cut out: Ø 4 <sup>1</sup> / <sub>2</sub> " Accommodates 1/2" - 2" ceiling thickness
<b>Light Source:</b>	High output 3-step Mac Adam Ellipse COB Rated life of 50,000 hours at L70
<b>Input:</b>	Universal 120-277V AC, 50/60 Hz
<b>Power:</b>	38W
<b>Dimming:</b>	ELV, TRIAC, and 0-10V: 100 - 1%
<b>Operating Temperature:</b>	-4°F to 104°F (-20°C to 40°C)
<b>Standards:</b>	ETL & cETL
<b>Warranty:</b>	5 year WAC Lighting guaranteed warranty

### BEAM ANGLES



### FINISHES



Model	Beam	Lumens Ref Output*	CBCP	Color Temp	CRI
WTK-37 WHK-37 Ø4.33" MO-N37 Ø110mm MO-R37	V 8°	945	2960	927 - 2700K 930 - 3000K 935 - 3500K 940 - 4000K	90
	S 12°	960	2470		
	N 24°	815	785		
	M 36°	960	2470		
	W 50°	815	785		

Lumens and CBCP are reference values for fixtures set to 3000K Color Temperature. Refer to Multiplier Table in Performance Data to determine other outputs.



## Mere High Power COB

WTK-37 | WHK-37 | MO-N37 | MO-R37

Fixture Type: \_\_\_\_\_  
 Project: \_\_\_\_\_  
 Catalog#: \_\_\_\_\_  
 Location: \_\_\_\_\_

### ORDERING INFORMATION

CONFIGURATION TABLE			
Model & Power	Beam Angle	Color Temperature & CRI	Housing Finish
<b>WTK-37</b> (120V)	<b>V</b> - Very Narrow 8°	<b>927</b> - 2700K - 90	<b>BK</b> - BLACK
<b>WHK-37</b> (277V)	<b>S</b> - Spot 12°	<b>930</b> - 3000K - 90	<b>WT</b> - WHITE
<b>MO-N37</b> (120-277V)	<b>N</b> - Narrow Flood 24°	<b>935</b> - 3500K - 90	
<b>MO-R37</b> (120-277V)	<b>M</b> - Medium Flood 36°	<b>940</b> - 4000K - 90	
	<b>W</b> - Wide Flood 50°		

**W\_K-37S-**\_\_\_\_\_

Example: WTK-37S-S930WT

**MO- 37S-**\_\_\_\_\_

Example: MO-N37S-M930BK

ACCESSORIES	
LENS-37S-WWWT	TL37 WALL - WASHING LENS
LENS-37S-EEWT	TL37 STRECHTED LENS
LENS-37S-SSWT	TL37 SMALL DIFFUSION LENS
LENS-37S-MMWT	TL37 MEDIUM DIFFUSION LENS
LENS-37S-LLWT	TL37 HEAVY DIFFUSION LENS
LENS-37S-SQWT	TL37 SQUARE DIFFUSION LENS
LENS-37S-CSBK	TL37 12D DIFFUSION LENS MODULE BLACK
LENS-37S-CNBK	TL37 24D DIFFUSION LENS MODULE BLACK
LENS-37S-CMBK	TL37 36D DIFFUSION LENS MODULE BLACK
LENS-37S-CWBK	TL37 50D DIFFUSION LENS MODULE BLACK
LENS-37S-SNOOT-B	TL37 CONDENSER BLACK
LENS-37S-SNOOT-W	TL37 CONDENSER WHITE
LENS-37S-HCM	TL37 HONEYCOMB MESH
LENS-37S-BD-BK	TL37 LIGHT SHIELDING PLATE BLACK
LENS-37S-BD-WT	TL37 LIGHT SHIELDING PLATE WHITE
LENS-37S-HSBK	TL37 HISTORICAL SENSE FILTER
LENS-37S-RGBK	TL37 RECOGNITION FILTER
LENS-37S-PFBK	TL37 PREFERENCE FILTER

### ORDERING NOTES

- The WTK-37 fixture is 120V and the WHK-37 fixture is 277V. Both fixtures are track mounted.
- The MO-N37 fixture is a ceiling mounted monopoint fixture for New Construction installations. The MO-R37 fixture is a ceiling mounted monopoint fixture for Remodel installations.

Mere  
High Power COB

WTK-37 | WHK-37 | MO-N37 | MO-R37

Fixture Type: \_\_\_\_\_  
 Project: \_\_\_\_\_  
 Catalog#: \_\_\_\_\_  
 Location: \_\_\_\_\_

**FEATURES**

<p><b>Optics:</b></p> <ul style="list-style-type: none"> <li>• Fixture features adjustabilities of 0-365° horizontally and 0-90° vertically</li> <li>• Optical accessories feature toolless installation and removal</li> </ul>	<p><b>Construction:</b></p> <ul style="list-style-type: none"> <li>• Die-cast aluminum body</li> </ul>
<p><b>LED:</b></p> <ul style="list-style-type: none"> <li>• High output COB LED with a 3-step Mac Adam ellipse</li> <li>• Rated operational life of 50,000 hours at L70 (LED maintains 70% of its initial delivered lumens when brand new for 50,000 hours of use.)</li> </ul>	<p><b>Trim and Reflector:</b></p> <ul style="list-style-type: none"> <li>• Five beam angles are available: Very Narrow, Spot, Narrow Flood, Medium Flood, and Flood</li> </ul>
<p><b>Electrical:</b></p> <ul style="list-style-type: none"> <li>• Input power is universal 120-277VAC, 50/60 Hz</li> <li>• Available at a 38W power level</li> </ul>	<p><b>Installation:</b></p> <ul style="list-style-type: none"> <li>• Suitable for W track systems</li> </ul>
<p><b>Dimming:</b></p> <ul style="list-style-type: none"> <li>• Electronic low voltage (ELV), TRIAC, and 0-10V dimming available</li> <li>• ELV, TRIAC, and 0-10V dimming is capable of a range of 100 - 1%</li> </ul>	<p><b>Warranty:</b></p> <ul style="list-style-type: none"> <li>• WAC Architectural limited warranty up to 5 years</li> <li>• Full warranty found at: <a href="http://wacighting.com/warranty">wacighting.com/warranty</a></li> </ul>
<p><b>Notes:</b></p> <ul style="list-style-type: none"> <li>• The White and Black finishes for the body are electrostatically powder coated</li> </ul>	

## Mere High Power COB

WTK-37 | WHK-37 | MO-N37 | MO-R37

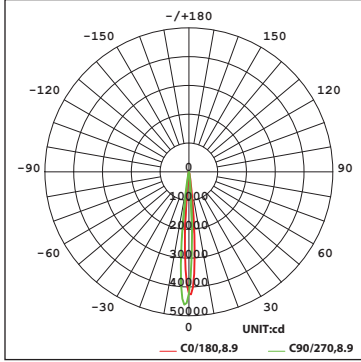
Fixture Type: \_\_\_\_\_  
 Project: \_\_\_\_\_  
 Catalog#: \_\_\_\_\_  
 Location: \_\_\_\_\_

### PERFORMANCE DATA

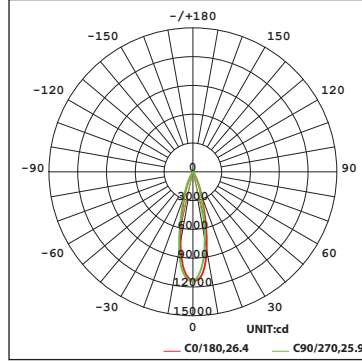
#### Polar Candela Distribution Charts

Samples shown with a 38W fixture with a White finish set to 3000K.

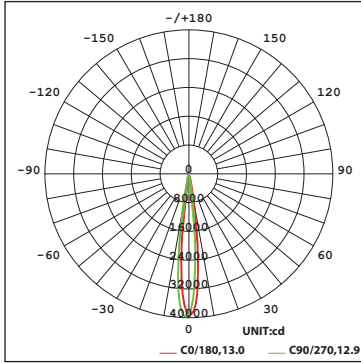
**Very Narrow Beam: 8° Beam**



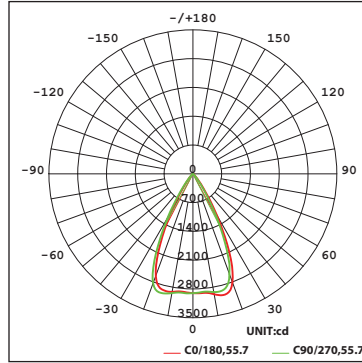
**Medium Flood Beam: 36° Beam**



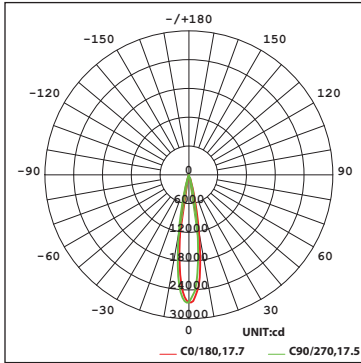
**Spot Beam: 12° Beam**



**Wide Flood Beam: 50° Beam**



**Narrow Flood Beam: 24° Beam**



## Mere High Power COB

WTK-37 | WHK-37 | MO-N37 | MO-R37

Fixture Type: \_\_\_\_\_  
 Project: \_\_\_\_\_  
 Catalog#: \_\_\_\_\_  
 Location: \_\_\_\_\_

### PERFORMANCE DATA

#### Unified Glare Rating (UGR) Table

UGR values shown are calculated for a fixture with a Very Narrow Beam (8°) optic at 3000K and 90 CRI.  
 General performance of other beam angles shown below.

ceiling/cavity	0.7	0.7	0.5	0.5	0.3	0.7	0.7	0.5	0.5	0.3	
walls	0.5	0.3	0.5	0.3	0.3	0.5	0.3	0.5	0.3	0.3	
working plane	0.2	0.2	0.2	0.2	0.2	0.2	0.2	0.2	0.2	0.2	
Room dimensions	Viewed crosswise					Viewed endwise					
x = 2H y = 2H	4.8	5.3	5.0	5.4	5.6	6.7	7.2	6.9	7.3	7.5	
3H	4.7	5.1	4.9	5.3	5.5	6.6	7.1	6.8	7.2	7.4	
4H	4.6	5.0	4.9	5.2	5.5	6.5	7.0	6.8	7.2	7.4	
6H	4.5	4.9	4.8	5.2	5.4	6.4	6.9	6.7	7.1	7.3	
8H	4.5	4.9	4.8	5.1	5.4	6.4	6.8	6.7	7.1	7.3	
12H	4.4	4.8	4.7	5.1	5.3	6.4	6.8	6.7	7.0	7.3	
4H	2H	4.6	5.1	4.9	5.3	5.5	6.5	7.0	6.8	7.2	7.4
3H	4.5	4.9	4.8	5.1	5.4	6.4	6.8	6.7	7.0	7.3	
4H	4.4	4.8	4.7	5.0	5.3	6.3	6.7	6.6	6.9	7.2	
6H	4.3	4.6	4.6	4.9	5.3	6.2	6.5	6.5	6.8	7.2	
8H	4.2	4.5	4.6	4.9	5.2	6.1	6.4	6.5	6.8	7.1	
12H	4.2	4.4	4.6	4.8	5.2	6.1	6.4	6.5	6.7	7.1	
8H	4H	4.2	4.5	4.6	4.9	5.2	6.1	6.4	6.5	6.8	7.1
6H	4.1	4.4	4.5	4.8	5.2	6.0	6.3	6.4	6.7	7.1	
8H	4.0	4.3	4.5	4.7	5.1	5.9	6.2	6.4	6.6	7.0	
12H	4.0	4.2	4.4	4.6	5.1	5.9	6.1	6.3	6.5	7.0	
12H	4H	4.2	4.5	4.6	4.8	5.2	6.1	6.4	6.5	6.7	7.1
6H	4.0	4.3	4.5	4.7	5.1	5.9	6.2	6.4	6.6	7.0	
8H	4.0	4.2	4.4	4.6	5.1	5.9	6.1	6.3	6.5	7.0	

Round Fixture	Angle	UGR Range
Very Narrow	8°	≤ 8
Spot	12°	≤ 10
Narrow Flood	24°	≤ 6
Medium Flood	36°	≤ 10
Wide Flood	50°	≤ 18

#### Lumens and CBCP Multiplier Table

Use the below table to determine lumens and CBCP values for the combinations of power, color temperature, and CRI values.

Color Temperature			
2700K	3000K	3500K	4000K
0.93	1.00	1.07	1.14

wacarchitectural.com | WAC Architectural, a WAC Group brand.

WAC Group Headquarters  
 44 Harbor Park Drive  
 Port Washington, NY 11050

WAC Architectural  
 Phone (800) 526.2588  
 Fax (800) 526.2585

APR 2026 | P. 5 of 8

WAC GROUP

Mere  
High Power COB

WTK-37 | WHK-37 | MO-N37 | MO-R37

Fixture Type: \_\_\_\_\_  
Project: \_\_\_\_\_  
Catalog#: \_\_\_\_\_  
Location: \_\_\_\_\_

**DIMENSIONAL DIAGRAMS**



Mere  
High Power COB

WTK-37 | WHK-37 | MO-N37 | MO-R37

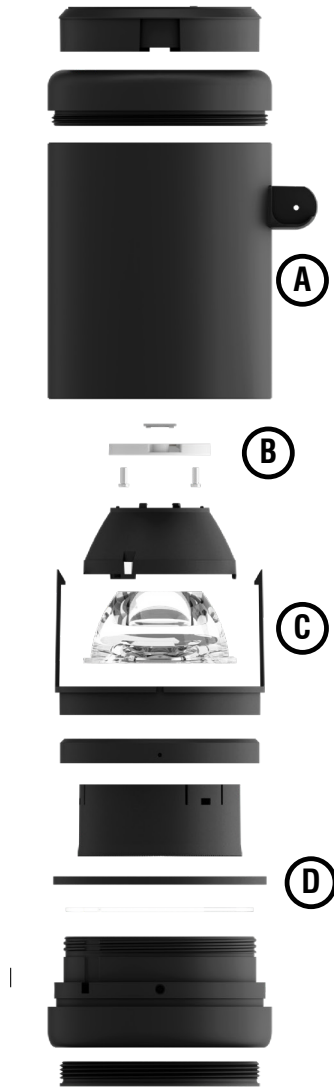
Fixture Type: \_\_\_\_\_

Project: \_\_\_\_\_

Catalog#: \_\_\_\_\_

Location: \_\_\_\_\_

**EXPLODED VIEW DIAGRAM**



Exploded View	
<b>A</b>	<b>Fixture Body</b>
<b>B</b>	<b>LED Module</b>
<b>C</b>	<b>Reflector</b>
<b>D</b>	<b>Lens</b>

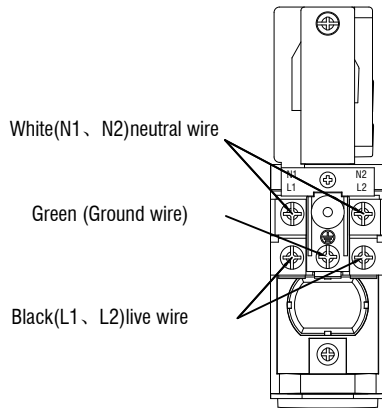
## Mere High Power COB

WTK-37 | WHK-37 | MO-N37 | MO-R37

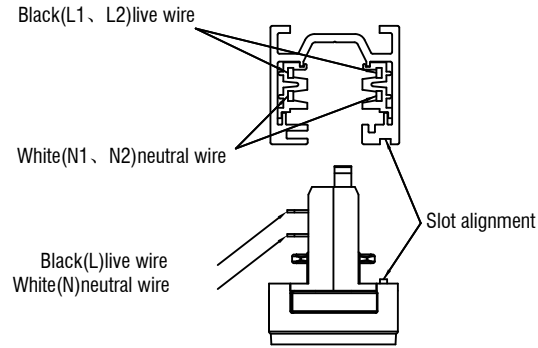
Fixture Type: \_\_\_\_\_  
 Project: \_\_\_\_\_  
 Catalog#: \_\_\_\_\_  
 Location: \_\_\_\_\_

### WIRING DIAGRAM

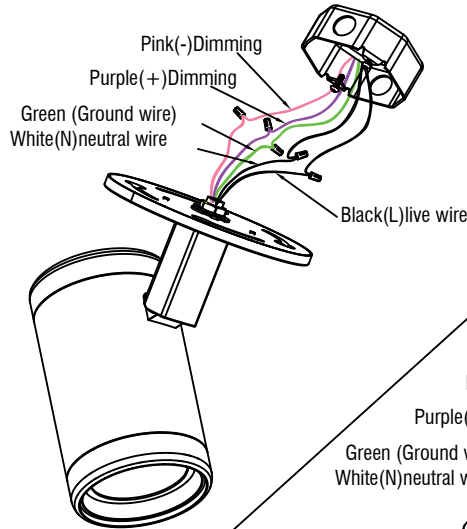
Schematic diagram of track inlet power connection.



Reference diagram for track and track connector circuit.



### REMODEL



### NEW CONSTRUCTION

