

## FQ

### 4" Wall Wash

R4FRWT | R4FRWL | R4FSWT | R4FSWL

Fixture Type: \_\_\_\_\_

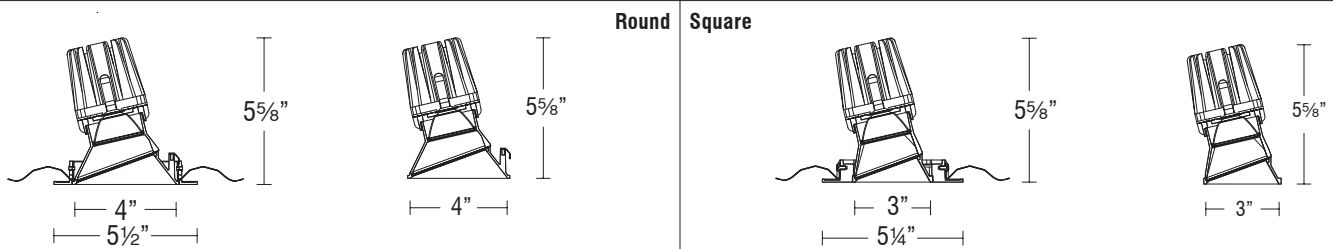
Project: \_\_\_\_\_

Catalog#: \_\_\_\_\_

Location: \_\_\_\_\_



#### LINE DRAWING



#### PRODUCT DESCRIPTION

The FQ Recessed series offers a complete line of high performance LED luminaires that provide outstanding functionality and quality. The FQ series features superlative glare control with 30° shielding, 45° vertical tilting, and uniform floor-to-ceiling wall washing. Multiple power level options and a full line of round and square, trimmed and trimless luminaires offer versatile solutions for various lighting applications. Easy to order, install, and service.

#### SPECIFICATIONS

<b>Construction:</b>	Two piece die-cast construction
<b>Mounting:</b>	Heavy gauge retention clips support trim firmly Ceiling cut out (Round): Trim $\varnothing 4\frac{3}{4}"$ Trimless $\varnothing 4\frac{3}{4}"$ Ceiling cut out (Square): Trim $4\frac{3}{4}" \times 4\frac{3}{4}"$ Trimless $4\frac{3}{4}" \times 4\frac{3}{4}"$ Accommodates 1/2" - 1" ceiling thickness
<b>Light Source:</b>	High output 3-step Mac Adam Ellipse COB Rated life of 50,000 hours at L70
<b>Input:</b>	Universal 120-277V AC, 50/60 Hz
<b>Dimming:</b>	ELV, TRIAC, 0-10V: 100 - 1%
<b>Maximum Delivered Output:</b>	Up to 2,056 lm (Round Asymmetric, 28W, 4000K, CRI 90)
<b>Operating Temperature:</b>	-4°F to 104°F (-20°C to 40°C)
<b>Standards:</b>	ETL & cETL Wet location listed, Title 24 JA8 Compliant
<b>Warranty:</b>	5 year WAC Lighting guaranteed warranty

#### BEAM ANGLES



#### FINISHES



Model	Beam	Lumens	CBCP Ref Output*	Color Temp	CRI
R4FRWT Round Trim	A Asym	Round	1940	N/A	90
R4FRWL Round Trimless					
R4FSWT Square Trim		Round	1940	N/A	
R4FSWL Square Trimless		Square	1865	N/A	
				927 - 2700K	
				930 - 3000K	
				935 - 3500K	
				940 - 4000K	

Lumens and CBCP are reference values for a trim fixture with 4 housing set to 3000K Color Temperature. Refer to Multiplier Table in Performance Data to determine other outputs.

## FQ

### 4" Wall Wash

R4FRWT | R4FRWL | R4FSWT | R4FSWL

Fixture Type: \_\_\_\_\_

Project: \_\_\_\_\_

Catalog#: \_\_\_\_\_

Location: \_\_\_\_\_

### ORDERING INFORMATION

CONFIGURATION TABLE		
Model & Power	Color Temperature & CRI	Reflector Finish
<b>R4FRWT</b>	<b>927</b> - 2700K - 90	<b>BK</b> - BLACK
<b>R4FRWL</b>	<b>930</b> - 3000K - 90	<b>DB</b> - DARK BRONZE
<b>R4FSWT</b>	<b>935</b> - 3500K - 90	<b>HZ</b> - HAZE
<b>R4FSWL</b>	<b>940</b> - 4000K - 90	<b>HZWT</b> - HAZE/WHITE <b>WT</b> - WHITE

**R4FRWT-\_\_ - \_\_**

Example: R4FRWT-930-WT

#### ORDERING NOTES

1. The "Haze/White" finish is only available on trimmed fixtures (R4FRWT, R4FSWT).
2. The "Haze" finish is only available on trimless fixtures (R4FRWL, R4FSWL)

Fixture Type: \_\_\_\_\_

Project: \_\_\_\_\_

Catalog#: \_\_\_\_\_

Location: \_\_\_\_\_

### ORDERING INFORMATION

Housings	Model	Power	Rating	Emergency Backup*
New Construction Airtight Trimmed Round & Square	<b>R4FBNT</b>	1 13W	IC, SPCL	<b>EM</b> <i>Optional</i>
		2 19W	IC, SPCL	
		3 25W	IC, SPCL	
		4 28W	Non-IC	
New Construction Airtight Trimless Round	<b>R4FRNL</b>	1 13W	IC, SPCL	N/A
		2 19W	IC, SPCL	
		3 25W	IC, SPCL	
		4 28W	Non-IC	
New Construction Airtight Trimless Square	<b>R4FSNL</b>	1 13W	IC, SPCL	N/A
		2 19W	IC, SPCL	
		3 25W	IC, SPCL	
		4 28W	Non-IC	
New Construction Frame-In Trimmed Round & Square	<b>R4FBFT</b>	1 13W	Non-IC	<b>EM</b> <i>Optional</i>
		2 19W	Non-IC	
		3 25W	Non-IC	
		4 28W	Non-IC	
New Construction Frame-In Trimless Round	<b>R4FRFL</b>	1 13W	Non-IC	N/A
		2 19W	Non-IC	
		3 25W	Non-IC	
		4 28W	Non-IC	
New Construction Frame-In Trimless Square	<b>R4FSFL</b>	1 13W	Non-IC	N/A
		2 19W	Non-IC	
		3 25W	Non-IC	
		4 28W	Non-IC	
Remodel Housing Trimless - Round	<b>R4FRRL</b>	1 13W	Non-IC	N/A
		2 19W	Non-IC	
		3 25W	Non-IC	
		4 28W	Non-IC	
Remodel Housing Trimless - Square	<b>R4FSRL</b>	1 13W	Non-IC	N/A
		2 19W	Non-IC	
		3 25W	Non-IC	
		4 28W	Non-IC	
Remodel Housing Trimmed	<b>R4FBRT</b>	1 13W	Non-IC	N/A
		2 19W	Non-IC	
		3 25W	Non-IC	
		4 28W	Non-IC	
Remodel Housing Trimmed	<b>R4FBR2T</b>	1 13W	IC	N/A

**R4F** - - -  
 Example: R4FBNT-1 or R4FBNT-1-EM  
 \*EM option is not SPCL rated

Fixture Type: \_\_\_\_\_

Project: \_\_\_\_\_

Catalog#: \_\_\_\_\_

Location: \_\_\_\_\_

#### FEATURES

<p><b>Optics:</b></p> <ul style="list-style-type: none"> <li>• High lumen output across four CCT options that are all rated 90 CRI</li> <li>• Powerful glare control due to the fixtures 30° shielding angle, 45° vertical tilting, and 360° horizontal rotation</li> </ul>	<p><b>Construction:</b></p> <ul style="list-style-type: none"> <li>• Two piece die-cast aluminum constructed body and trim</li> </ul>
<p><b>LED:</b></p> <ul style="list-style-type: none"> <li>• High output COB LED with a 3-step Mac Adam ellipse</li> <li>• Rated operational life of 50,000 hours at L70 (LED maintains 70% of its initial delivered lumens when brand new for 50,000 hours of use.)</li> </ul>	<p><b>Trim and Reflector:</b></p> <ul style="list-style-type: none"> <li>• Available in a wall wash (asymmetric) beam angle for even wall illumination both vertically and horizontally</li> </ul>
<p><b>Electrical:</b></p> <ul style="list-style-type: none"> <li>• Input power is universal 120-277VAC and 50/60 Hz</li> <li>• Available in 13W, 19W, 25W, and 28W power levels</li> </ul>	<p><b>Installation:</b></p> <ul style="list-style-type: none"> <li>• Light engine is mounted onto the trim using springs that allow for easy replacement</li> <li>• Heavy gauge retention clips firmly support the trim within the housing</li> </ul>
<p><b>Dimming:</b></p> <ul style="list-style-type: none"> <li>• Electronic Low Voltage (ELV), TRIAC, and 0-10V dimming are available</li> <li>• ELV, TRIAC, and 0-10V are all capable of a range of 100 - 1%</li> </ul>	<p><b>Warranty:</b></p> <ul style="list-style-type: none"> <li>• WAC Architectural limited warranty up to 5 years</li> <li>• Full warranty found at: <a href="http://wacighting.com/warranty">wacighting.com/warranty</a></li> </ul>
<p><b>Notes:</b></p> <ul style="list-style-type: none"> <li>• The White, Black, and Dark Bronze finishes are all electrostatically powder coated</li> <li>• The Haze finish is enamel coated</li> </ul>	

Fixture Type: \_\_\_\_\_

Project: \_\_\_\_\_

Catalog#: \_\_\_\_\_

Location: \_\_\_\_\_

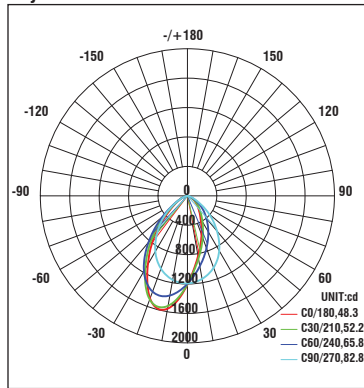
## PERFORMANCE DATA

### Polar Candela Distribution Charts

Samples shown from a trim fixture with 4 housing set to 3000K.

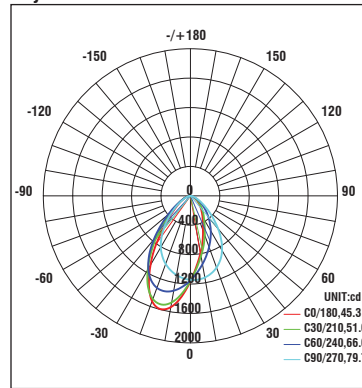
#### ROUND

Asymmetric Beam



#### SQUARE

Asymmetric Beam



FQ

4" Wall Wash

R4FRWT | R4FRWL | R4FSWT | R4FSWL

Fixture Type: \_\_\_\_\_

Project: \_\_\_\_\_

Catalog#: \_\_\_\_\_

Location: \_\_\_\_\_

**PERFORMANCE DATA**

**Unified Glare Rating (UGR) Table**

UGR values shown are calculated for a fixture with 4 housing at 3000K and 90 CRI.

Round Fixture	Angle	UGR Range	Square Fixture	Angle	UGR Range
Asymmetric	-	≤20	Asymmetric	-	≤21

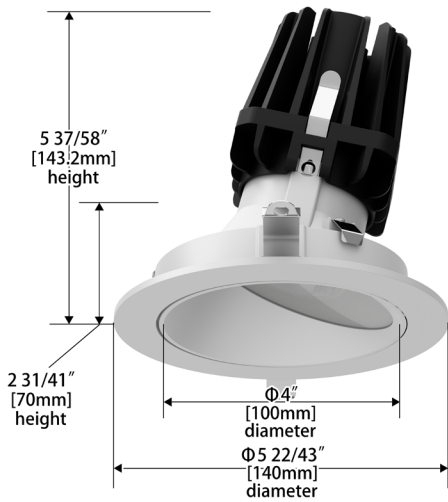
**Lumens and CBCP Multiplier Table**

Use the below table to determine lumens and CBCP values for the combinations of power, color temperature, and CRI values.

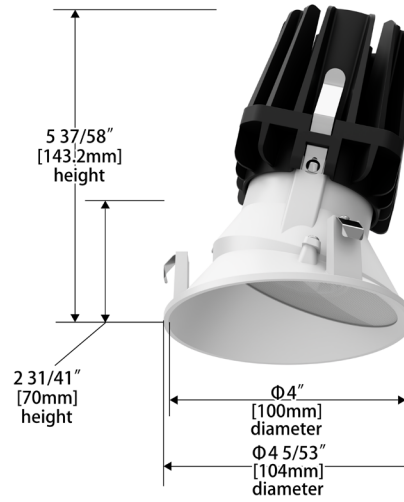
Multiplier		Color Temperature			
		927	930	935	940
HOUSING	4	0.95	1.00	1.02	1.06
	3	0.84	0.88	0.90	0.93
	2	0.65	0.68	0.70	0.72
	1	0.45	0.47	0.48	0.50

## DIMENSIONAL DIAGRAMS

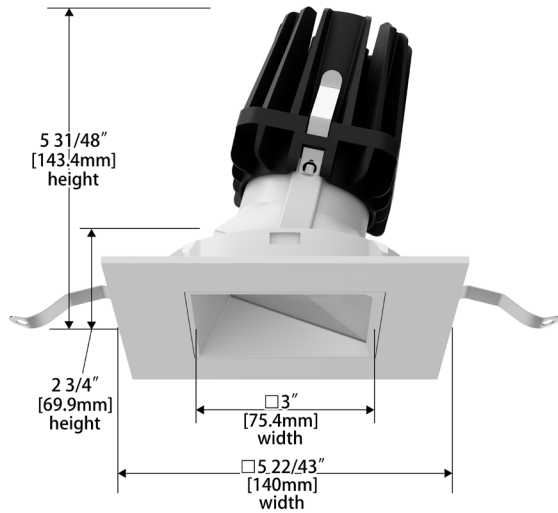
### Round Trim (R4FRWT)



### Round Trimless (R4FRWL)



### Square Trim (R4FSWT)



### Square Trimless (R4FSWL)



Fixture Type: \_\_\_\_\_

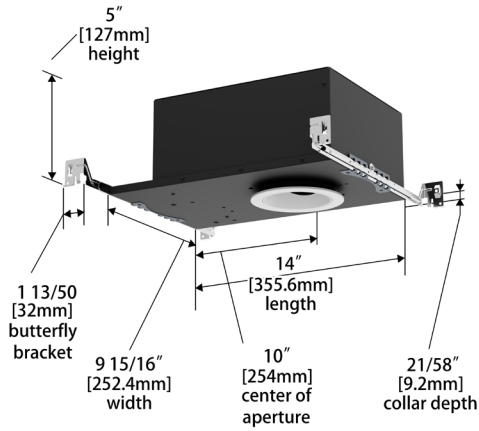
Project: \_\_\_\_\_

Catalog#: \_\_\_\_\_

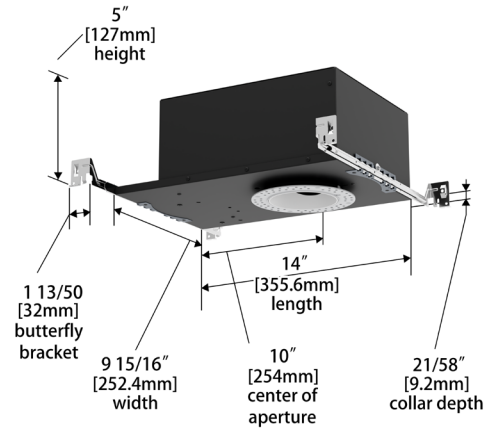
Location: \_\_\_\_\_

## DIMENSIONAL DIAGRAMS

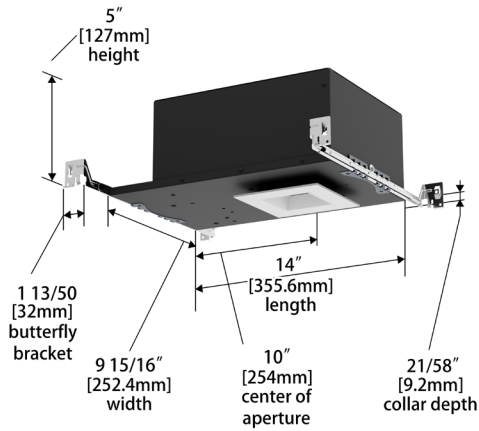
### New Construction - Round Trim



### New Construction - Round Trimless



### New Construction - Square Trim



### New Construction - Square Trimless

