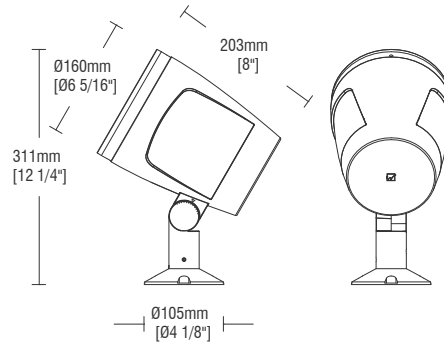


Panther Static White PAL6 (49W)

Fixture Type: _____
 Project: _____
 Catalog#: _____
 Location: _____



LINE DRAWING



PRODUCT DESCRIPTION

Utilizing the latest LED technology, the PANTHER series of luminaire features a low-profile design and high optical performance, available in a variety of sizes. The series supports vertical or horizontal mounting with precise adjustments in the direction of rotation. Recommended for architectural façade lighting or landscape spotlighting.

SPECIFICATIONS

Construction:	Durable die-cast aluminum construction
Mounting:	Outdoor installation
Light Source:	High output 3-step Mac Adam Ellipse Rated life of 50,000 hours at L70
Input:	Universal 120-277V AC, 50/60 Hz
Power:	49W
Controls:	0-10V, DMX512-A with RDM
Maximum Delivered Intensity:	Up to 140,637 cd (Ultra Narrow 6°, 4000K)
Maximum Delivered Output:	Up to 3,116 lm (Ultra Narrow 6°, 4000K)
Operating Temperature:	-4°F to 122°F (-20°C to 50°C)
Standards:	ETL & cETL Wet location listed
Warranty:	5 year WAC Lighting guaranteed warranty

BEAM ANGLES



FINISHES



Model	Beam	Lumens Ref Output*	CBCP	Efficacy (lm/W)	Color Temp
PAL6 Ø160mm Ø6.3"	U 6°	2,912	131,436	54	927-2700K
	S 13°	2,165	19,068	40	
	N 22°	2,282	10,957	42	930-3000K
	M 34°	2,738	6,634	51	935-3500K
	W 50°	2,239	3,118	42	940-4000K

*Lumens and CBCP are reference values for 3000K Color Temperature. Refer to Multiplier Table in Performance Data to determine other outputs.

Panther Static White PAL6 (49W)

Fixture Type: _____
 Project: _____
 Catalog#: _____
 Location: _____

ORDERING INFORMATION

CONFIGURATION TABLE				
Model & Power	Dimming	Beam Angle	Color Temperature & CRI	Housing Finish
PAL6 (29W)	L - 0-10V D - DMX512-A	U - Ultra Narrow 6°	927 - 2700K - 90	BK - BLACK
		S - Spot 13°	930 - 3000K - 90	
		N - Narrow Flood 22°	940 - 4000K - 90	
		M - Medium Flood 34°		
		W - Wide Flood 50°		

PAL6-29_ - ____ -BK

Example: PAL6-29D-M930-BK

ACCESSORIES	
PAL6-SHR-BK	<i>Panther 6" Shroud - Black</i>
PAL6-SNOOT-BK	<i>Panther 6" Snoot - Black</i>
AL-TMS-BK	<i>Tree Mount Bracket - Small</i>
AL-TML-BK	<i>Tree Mount Bracket - Large</i>
AL-TRM-BK	<i>Tree Ring Mount</i>
M6000-STAKE	<i>Ground Stake</i>
AL-PM-BK	<i>Pole Mount Bracket</i>
AL-PS-3-BK	<i>3" Pole Sleeve</i>
AL-PCM-S-BK	<i>Pole Clamp - Single</i>
AL-PCM-AD-BK	<i>Pole Clamp Adjustable - Double</i>

Panther
Static White
PAL6 (49W)

Fixture Type: _____
 Project: _____
 Catalog#: _____
 Location: _____

FEATURES

<p>Optics:</p> <ul style="list-style-type: none"> • Armature capable of 330° horizontal rotation and 30-90° vertical aiming 	<p>Construction:</p> <ul style="list-style-type: none"> • Die-cast aluminum fixture with driver enclosed in canopy
<p>LED:</p> <ul style="list-style-type: none"> • High output discrete LED with a 3-step Mac Adam ellipse • Rated operational life of 50,000 hours at L70 (LED maintains 70% of its initial delivered lumens when brand new for 50,000 hours of use.) 	<p>Trim and Reflector:</p> <ul style="list-style-type: none"> • Four beam angles are available: Very Narrow, Spot, Medium Flood, and Flood
<p>Electrical:</p> <ul style="list-style-type: none"> • Input power is universal 120-277VAC, 50/60 Hz • Available in a 49W power level 	<p>Installation:</p> <ul style="list-style-type: none"> • Suitable for outdoor installation with a rating of IP65
<p>Dimming:</p> <ul style="list-style-type: none"> • DMX512-A and 0-10V dimming are both available 	<p>Warranty:</p> <ul style="list-style-type: none"> • WAC Architectural limited warranty up to 5 years • Full warranty found at: waclighting.com/warranty
<p>Notes:</p> <ul style="list-style-type: none"> • The Black finish is electrostatically powder coated 	

Fixture Type: _____

Project: _____

Catalog#: _____

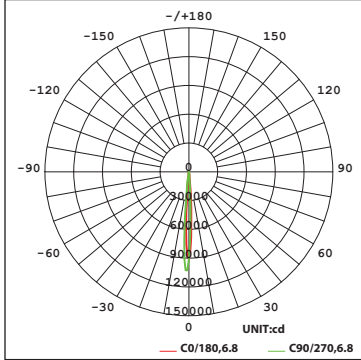
Location: _____

PERFORMANCE DATA

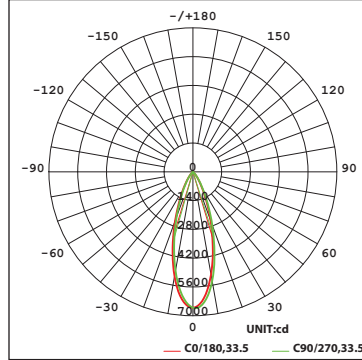
Polar Candela Distribution Charts

Samples shown from a fixture set to 3000K.

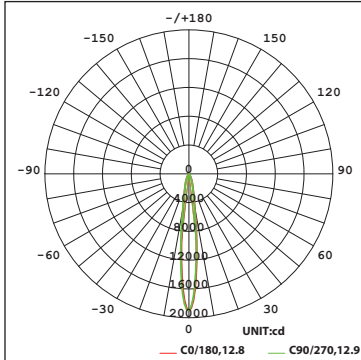
U - Ultra Narrow 6°



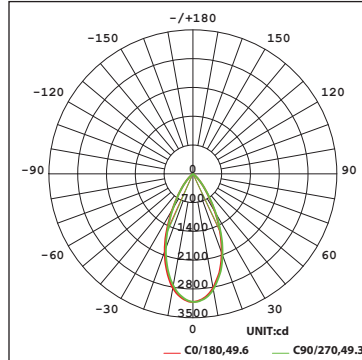
M - Medium Flood Beam 34°



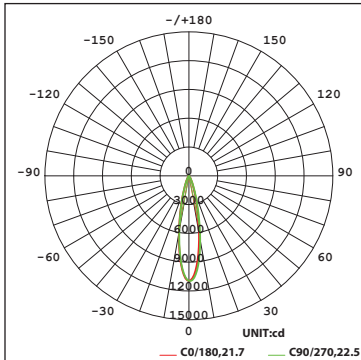
S - Spot Beam 13°



W - Wide Flood 50°



N - Narrow Flood Beam 22°



Panther Static White PAL6 (49W)

Fixture Type: _____
 Project: _____
 Catalog#: _____
 Location: _____

PERFORMANCE DATA

Unified Glare Rating (UGR) Table

Samples shown from a fixture with an Ultra Narrow 6° beam set to 3000K. General performance of other beam angles shown below.

ceiling/cavity	0.7	0.7	0.5	0.5	0.3	0.7	0.7	0.5	0.5	0.3	
walls	0.5	0.3	0.5	0.3	0.3	0.5	0.3	0.5	0.3	0.3	
working plane	0.2	0.2	0.2	0.2	0.2	0.2	0.2	0.2	0.2	0.2	
Room dimensions	Viewed crosswise					Viewed endwise					
x = 2H y = 2H	6.9	7.4	7.1	7.5	7.6	7.6	8.1	7.8	8.2	8.4	
3H	6.8	7.2	7.0	7.4	7.6	7.5	8.0	7.7	8.1	8.3	
4H	6.7	7.1	6.9	7.3	7.5	7.4	7.9	7.7	8.1	8.3	
6H	6.6	7.1	6.9	7.3	7.5	7.4	7.8	7.6	8.0	8.2	
8H	6.6	7.0	6.9	7.2	7.5	7.3	7.7	7.6	8.0	8.2	
12H	6.6	7.0	6.9	7.2	7.5	7.3	7.7	7.6	7.9	8.2	
4H	2H	6.7	7.1	6.9	7.3	7.5	7.4	7.9	7.7	8.1	8.3
3H	6.6	7.0	6.9	7.2	7.5	7.3	7.7	7.6	7.9	8.2	
4H	6.5	6.9	6.8	7.1	7.4	7.2	7.6	7.5	7.9	8.2	
6H	6.4	6.7	6.8	7.1	7.4	7.1	7.5	7.5	7.8	8.1	
8H	6.4	6.7	6.7	7.0	7.4	7.1	7.4	7.5	7.7	8.1	
12H	6.3	6.6	6.7	7.0	7.4	7.0	7.3	7.4	7.7	8.1	
8H	4H	6.3	6.6	6.7	7.0	7.4	7.1	7.4	7.4	7.7	8.1
6H	6.3	6.5	6.7	6.9	7.3	7.0	7.2	7.4	7.6	8.0	
8H	6.2	6.4	6.7	6.9	7.3	6.9	7.2	7.4	7.6	8.0	
12H	6.2	6.4	6.6	6.8	7.3	6.9	7.1	7.4	7.5	8.0	
12H	4H	6.3	6.6	6.7	6.9	7.3	7.0	7.3	7.4	7.7	8.0
6H	6.2	6.4	6.6	6.8	7.3	6.9	7.1	7.4	7.6	8.0	
8H	6.2	6.4	6.6	6.8	7.3	6.9	7.1	7.3	7.5	8.0	

Fixture	Angle	UGR Range
Very Narrow	6°	≤8
Spot	13°	≤14
Narrow Flood	22°	≤12
Medium Flood	34°	≤17
Wide Flood	50°	≤19

Lumens and CBCP Multiplier Table

Use the below table to determine lumens and CBCP values for the combinations of power, color temperature, and CRI values.

Color Temperature				
2700K	3000K	3500K	4000K	5000K
0.96	1.00	1.04	1.07	1.12

Panther
Static White
PAL6 (49W)

Fixture Type: _____
Project: _____
Catalog#: _____
Location: _____

DIMENSIONAL DIAGRAMS



Panther Static White PAL6 (49W)

Fixture Type: _____
 Project: _____
 Catalog#: _____
 Location: _____

WIRING DIAGRAM

