

AETHER

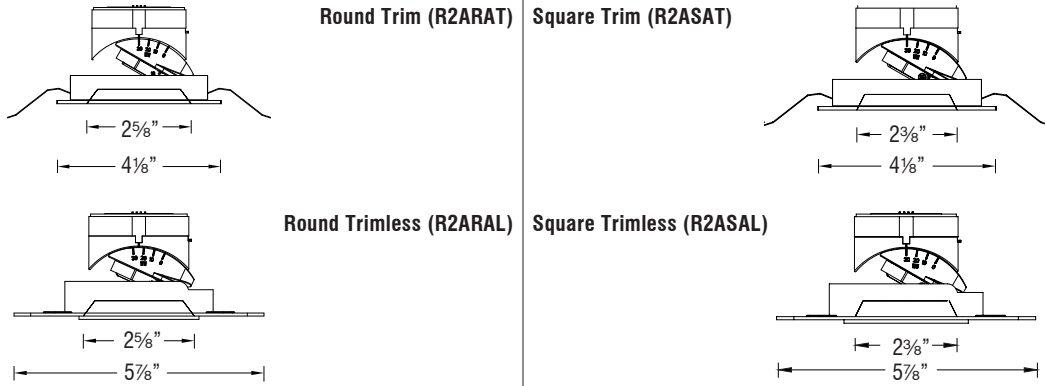
2" - Adjustable

R2ARAT | R2ARAL | R2ASAT | R2ASAL

Fixture Type: _____
 Project: _____
 Catalog#: _____
 Location: _____



LINE DRAWING



PRODUCT DESCRIPTION

The Aether 2" is compatible with shallow housings that are designed to fit in tight plenum spaces without sacrificing lumen output.

SPECIFICATIONS

Construction: Die-cast aluminum trim with die-cast aluminum heat sink

Mounting: Heavy gauge retention clips support trim firmly
 Ceiling cut out (Round): Trim \varnothing 3 3/4" \bigcirc
 Trimless \varnothing 4 1/8" \bigcirc
 Ceiling cut out (Square): Trim 3 3/4" x 3 3/4" \square
 Trimless 4 1/8" x 4 1/8" \square
 Remodel ceiling cutout: 3 3/4" \bigcirc , 3 3/4" x 3 3/4" \square
 Accommodates 1/2" - 1" ceiling thickness

Light Source: High output 3-step Mac Adam Ellipse COB
 Rated life of 50,000 hours at L70

Input: Universal 120-277V AC, 50/60 Hz

Dimming: ELV, TRIAC, and 0-10V: 100 - 5%

Maximum Delivered Intensity: Up to 8,807 cd (Round Spot 15°, 4000K, 85 CRI)

Maximum Delivered Output: Up to 1,397 lm (Square Narrow Flood 26°/Square Flood 40°, 4000K, 85 CRI)

Operating Temperature: -4°F to 104°F (-20°C to 40°C)

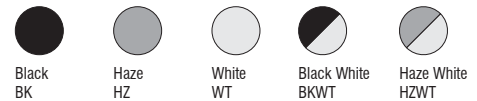
Standards: UL & cUL Damp location listed, UL & cUL Wet location listed (Lensed options only), Title 24 JA8 Compliant

Warranty: 5 year WAC Lighting guaranteed warranty

BEAM ANGLES



FINISHES



Model	Beam		Lumens	CBCP	Color Temp	Finish
			Ref	Output*		
0-30°, Damp Location	S 15°	Round	720	6935	827 - 2700K - 85 830 - 3000K - 85 835 - 3500K - 85 840 - 4000K - 85 927 - 2700K - 90 930 - 3000K - 90	Black
R2ARAT Round Trim		Square	720	6935		Haze
R2ARAL Round Trimless	N 26°	Round	1095	3680		White
R2ASAT Square Trim		Square	1100	3685		Black/White
R2ASAL Square Trimless	F 40°	Round	1090	2170		Haze/White
		Square	1100	2180		
0-25°, Wet Location	S 16°	Round	660	5355		Lensed Black
R2ARAT Round Trim		Square	660	5355		Lensed Haze
R2ARAL Round Trimless	N 28°	Round	1015	3175		Lensed White
R2ASAT Square Trim		Square	1015	3175		Lensed Black/White
R2ASAL Square Trimless	F 40°	Round	1000	1915	Lensed Haze/White	
		Square	1015	1935		

Lumens and CBCP are reference values for fixtures set to 3000K Color Temperature and 90 CRI. Refer to Multiplier Table in Performance Data to determine other outputs.



AETHER

2" - Adjustable

R2ARAT | R2ARAL | R2ASAT | R2ASAL

Fixture Type: _____

Project: _____

Catalog#: _____

Location: _____

PERFORMANCE DATA

Unified Glare Rating (UGR) Table

UGR values shown are calculated for a Round Trim fixture with a Narrow Flood Beam (28°) optic at 3000K and 90 CRI. General performance of other beam angles shown below.

ceiling/cavity	0.7	0.7	0.5	0.5	0.3	0.7	0.7	0.5	0.5	0.3		
walls	0.5	0.3	0.5	0.3	0.3	0.5	0.3	0.5	0.3	0.3		
working plane	0.2	0.2	0.2	0.2	0.2	0.2	0.2	0.2	0.2	0.2		
Room dimensions	Viewed crosswise					Viewed endwise						
x = 2H y = 2H	2H	3H	4H	6H	8H	12H	2H	3H	4H	6H	8H	12H
	12.7	13.5	12.9	13.6	13.8	13.3	14.1	13.5	14.3	14.4		
	12.6	13.3	12.9	13.5	13.7	13.2	13.9	13.4	14.1	14.3		
	12.5	13.2	12.8	13.4	13.7	13.1	13.8	13.4	14.0	14.2		
	12.5	13.1	12.8	13.4	13.6	13.0	13.7	13.3	13.9	14.2		
	12.4	13.1	12.7	13.3	13.6	13.0	13.6	13.3	13.9	14.1		
	12.4	13.0	12.7	13.2	13.5	13.0	13.6	13.3	13.8	14.1		
4H	2H	12.6	13.2	12.8	13.5	13.7	13.2	13.8	13.4	14.1	14.3	
	3H	12.5	13.1	12.8	13.3	13.6	13.0	13.6	13.3	13.9	14.2	
	4H	12.4	12.9	12.7	13.2	13.5	13.0	13.5	13.3	13.8	14.1	
	6H	12.3	12.8	12.7	13.1	13.5	12.9	13.3	13.2	13.7	14.0	
	8H	12.3	12.7	12.7	13.1	13.4	12.8	13.3	13.2	13.6	14.0	
	12H	12.2	12.6	12.6	13.0	13.4	12.8	13.2	13.2	13.5	13.9	
8H	4H	12.3	12.7	12.6	13.1	13.4	12.8	13.3	13.2	13.6	14.0	
	6H	12.2	12.5	12.6	12.9	13.3	12.7	13.1	13.1	13.5	13.9	
	8H	12.1	12.4	12.6	12.9	13.3	12.7	13.0	13.1	13.4	13.8	
	12H	12.1	12.3	12.5	12.8	13.3	12.6	12.9	13.1	13.3	13.8	
12H	4H	12.2	12.6	12.6	13.0	13.4	12.8	13.2	13.2	13.5	13.9	
	6H	12.1	12.4	12.6	12.9	13.3	12.7	13.0	13.1	13.4	13.8	
	8H	12.1	12.3	12.5	12.8	13.3	12.6	12.9	13.1	13.3	13.8	

Round Fixture	Angle	UGR Range
Narrow Flood	28°	≤ 14
Flood	40°	≤ 16

Square Fixture	Angle	UGR Range
Narrow Flood	28°	≤ 15
Flood	40°	≤ 16

Lumens and CBCP Multiplier Table

Use the below table to determine lumens and CBCP values for the combinations of power, color temperature, and CRI values.

Color Temperature and CRI					
827	830	835	840	927	930
1.16	1.23	1.26	1.27	0.96	1.00

AETHER

2" - Adjustable

R2ARAT | R2ARAL | R2ASAT | R2ASAL

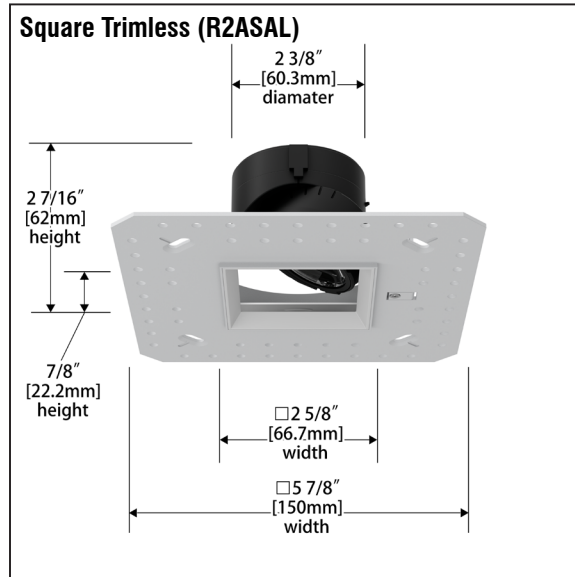
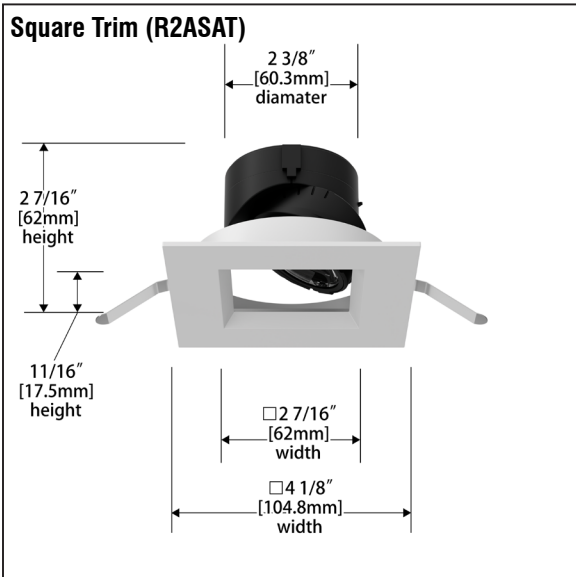
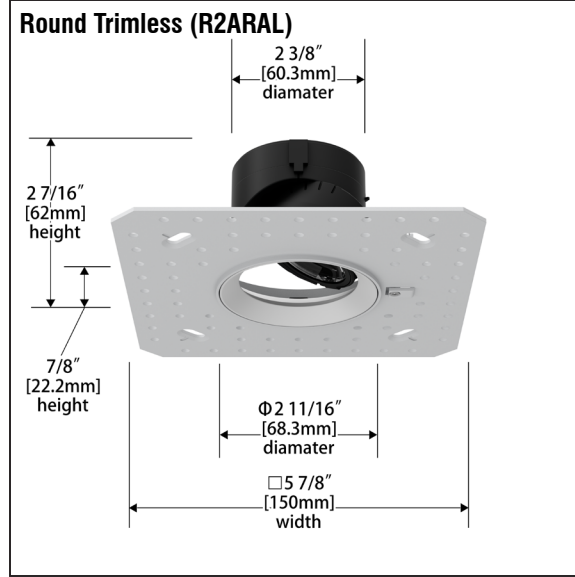
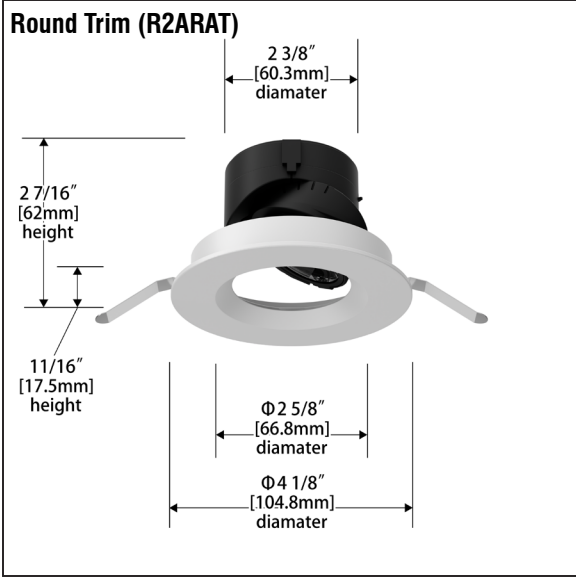
Fixture Type: _____

Project: _____

Catalog#: _____

Location: _____

DIMENSIONAL DIAGRAMS



AETHER

2" - Adjustable

R2ARAT | R2ARAL | R2ASAT | R2ASAL

Fixture Type: _____

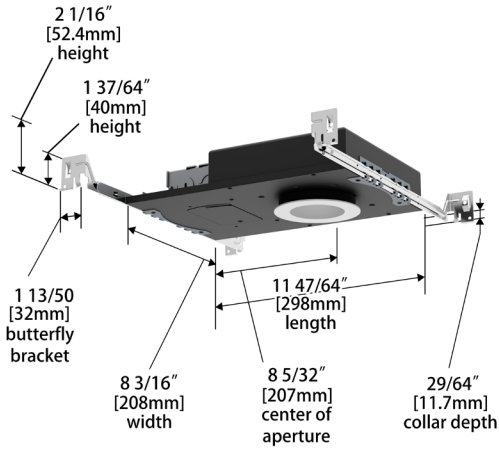
Project: _____

Catalog#: _____

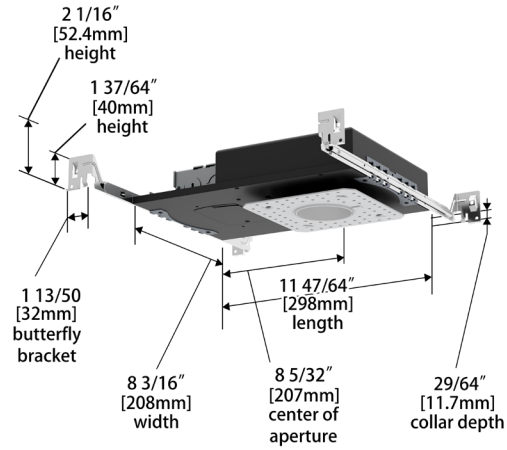
Location: _____

DIMENSIONAL DIAGRAMS

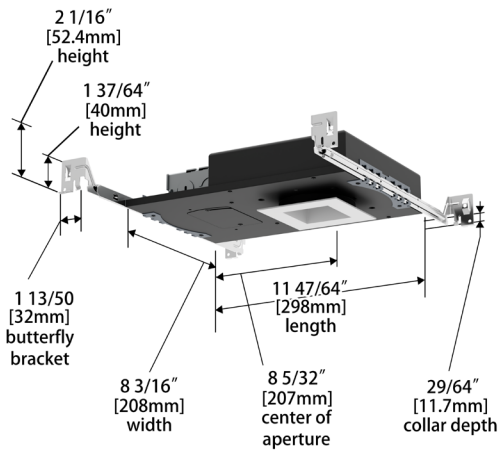
New Construction - Round Trim



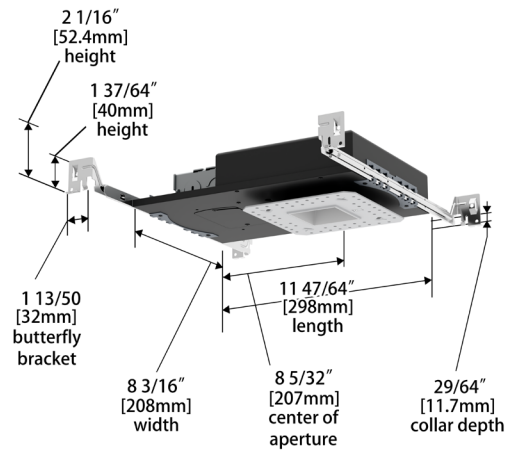
New Construction - Round Trimless



New Construction - Square Trim



New Construction - Square Trimless



AETHER

2" - Adjustable

R2ARAT | R2ARAL | R2ASAT | R2ASAL

Fixture Type: _____

Project: _____

Catalog#: _____

Location: _____

ORDERING INFORMATION

CONFIGURATION TABLE			
Model & Power	Beam	Color Temperature & CRI	Reflector Finish
R2ARAT	S - 15, 16°	827 - 2700K - 85	BK - BLACK
R2ARAL	N - 26, 28°	830 - 3000K - 85	HZ - HAZE
R2ASAT	F - 40°	835 - 3500K - 85	WT - WHITE
R2ASAL		840 - 4000K - 85	BKWT - BLACK/WHITE
		927 - 2700K - 90	HZWT - HAZE/WHITE
		930 - 3000K - 90	LBK - LENSED BLACK
			LWT - LENSED WHITE
			LBKWT - LENSED BLACK/WHITE
			LHZWT - LENSED HAZE/WHITE

R2A____ - ____ - _____

Example: R2ARAT-S930-BKWT

HOUSINGS		
	Model	Power
IC-Rated, Airtight New Construction	HR-2LED-H13A	15W
IC-Rated, Airtight New Construction Chicago Plenum	HR-2LED-H13AC	15W
IC-Rated, Airtight Remodel	HR-2LED-R10A	9W
Non-IC Rated, Airtight Remodel	HR-2LED-R15A	15W

HR-2LED-_____

Example: HR-2LED-H13A

ORDERING NOTES
1. Only trimmed fixtures cannot be ordered with a finish that includes a trim finish (BKWT, HZWT, LBKWT, LHZWT).

AETHER

2" - Adjustable

R2ARAT | R2ARAL | R2ASAT | R2ASAL

Fixture Type: _____

Project: _____

Catalog#: _____

Location: _____

FEATURES

<p>Optics:</p> <ul style="list-style-type: none"> • Strong lumen output from 2" aperture • Up to 1,310 lumens at 3000K and 1,353 lumens at 4000K 	<p>Construction:</p> <ul style="list-style-type: none"> • Fixture body includes die-cast aluminum trim and a die-cast aluminum heat sink • Built-in retention clips will firmly hold the trim to the housing that the fixture is installed in
<p>LED:</p> <ul style="list-style-type: none"> • High output COB LED with a 3-step Mac Adam ellipse • Rated operational life of 50,000 hours at L70 (LED maintains 70% of its initial delivered lumens when brand new for 50,000 hours of use.) 	<p>Trim and Reflector:</p> <ul style="list-style-type: none"> • Trimmed fixtures are wet location listed • Features a 2" trim aperture
<p>Electrical:</p> <ul style="list-style-type: none"> • Aether 2" is compatible with 120-277 VAC, 50/60 Hz • Aether 2" is only available in 15W with a power factor of 0.9 	<p>Installation:</p> <ul style="list-style-type: none"> • Requires housing for installation • All New Construction Aether 2" housings are all IC-rated • Remodel housings are available in 9W, which is IC rated, and 15W, which is non-IC rated • Aether 2" housings are suitable for ceilings with a thickness of ½" - 1"
<p>Dimming:</p> <ul style="list-style-type: none"> • Electronic Low Voltage (ELV), TRIAC, and 0-10V dimming are available • Each dimming option is capable of a 100 - 5% range 	<p>Warranty:</p> <ul style="list-style-type: none"> • WAC Architectural limited warranty up to 5 years • Full warranty found at: wacighting.com/warranty
<p>Notes:</p> <ul style="list-style-type: none"> • Trim and trimless fixtures of the same shape (Round/Square) have the same performance. Minor variations occur due to fixture shape. • The White and Black finishes are powder coated while the Haze is enamel coated and the Copper Bronze is plated and brushed. 	

AETHER

2" - Adjustable

R2ARAT | R2ARAL | R2ASAT | R2ASAL

Fixture Type: _____

Project: _____

Catalog#: _____

Location: _____

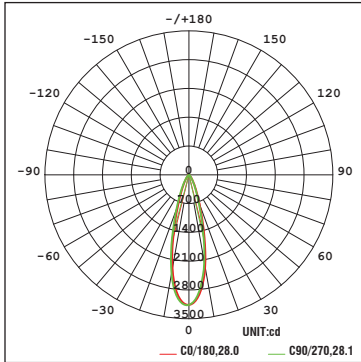
PERFORMANCE DATA

Polar Candela Distribution Charts

Samples shown from a 15W fixture with a Lensed White finish set to 3000K and 90 CRI.

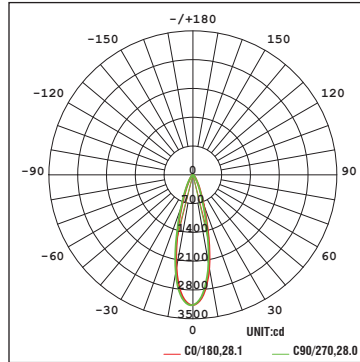
ROUND

Narrow Flood Beam: 28° Beam

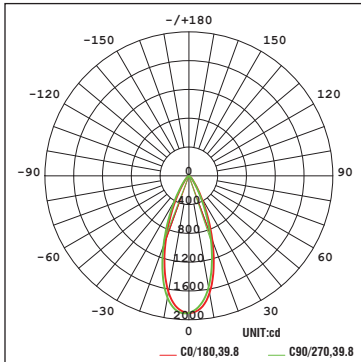


SQUARE

Narrow Flood Beam: 28° Beam



Flood Beam: 40° Beam



Flood Beam: 40° Beam

