

FQ

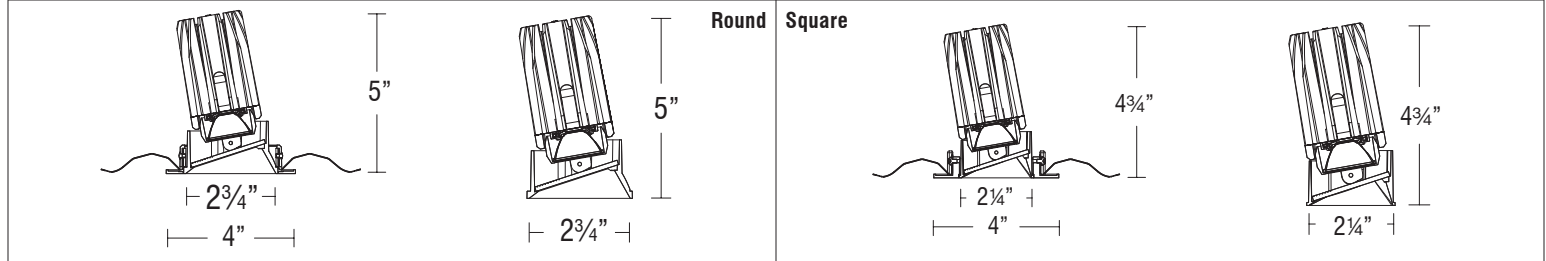
2" Wall Wash

R2FRWT | R2FRWL | R2FSWT | R2FSWL

Fixture Type: _____
 Project: _____
 Catalog#: _____
 Location: _____



LINE DRAWING



PRODUCT DESCRIPTION

The FQ Recessed series offers a complete line of high performance LED luminaires that provide outstanding functionality and quality. The FQ series features superlative glare control with 30° shielding, 35° vertical tilting, and uniform floor-to-ceiling wall washing. Multiple power level options and a full line of round and square, trimmed and trimless luminaires offer versatile solutions for various lighting applications. Easy to order, install, and service.

SPECIFICATIONS

Construction:	Durable die-cast aluminum construction
Mounting:	Heavy gauge retention clips support trim firmly Ceiling cut out (Round): Trim \varnothing 3 $\frac{1}{2}$ " Trimless \varnothing 3 $\frac{1}{2}$ " Ceiling cut out (Square): Trim 3 $\frac{1}{2}$ " x 3 $\frac{1}{2}$ " Trimless 3 $\frac{1}{2}$ " x 3 $\frac{1}{2}$ " Accommodates 1/2" - 1" ceiling thickness
Light Source:	High output 3-step Mac Adam Ellipse COB Rated life of 50,000 hours at L70
Input:	Universal 120-277V AC, 50/60 Hz
Dimming:	ELV, TRIAC, 0-10V: 100 - 1%
Maximum Delivered Output:	Up to 1,553 lm (Round Asymmetric, 25W, 4000K, CRI 90)
Operating Temperature:	-4°F to 104°F (-20°C to 40°C)
Standards:	ETL & cETL Wet location listed, Title 24 JA8 Compliant
Warranty:	5 year WAC Lighting guaranteed warranty

BEAM ANGLES



FINISHES



Model	Beam	Lumens	CBCP Ref Output*
R2FRWT Round Trim	A Asym	Round	1465
R2FRWL Round Trimless			
R2FSWT Square Trim	Square	Square	1435
R2FSWL Square Trimless			

*Lumens and CBCP are reference values for a trim fixture with 3 housing set to 3000K Color Temperature. Refer to Multiplier Table in Performance Data to determine other outputs.

FQ

2" Wall Wash

R2FRWT | R2FRWL | R2FSWT | R2FSWL

Fixture Type: _____

Project: _____

Catalog#: _____

Location: _____

ORDERING INFORMATION

CONFIGURATION TABLE		
Model & Power	Color Temperature & CRI	Reflector Finish
R2FRWT	927 - 2700K - 90	BK - BLACK
R2FRWL	930 - 3000K - 90	DB - DARK BRONZE
R2FSWT	935 - 3500K - 90	HZ - HAZE
R2FSWL	940 - 4000K - 90	HZWT - HAZE/WHITE
		WT - WHITE

R2F ___ - ___ - ___

Example: R2FRWT-935-WT

ORDERING NOTES

1. The "Haze/White" finish is only available on trimmed fixtures (R2FRWT, R2FSWT).
2. The "Haze" finish is only available on trimless fixtures (R2FRWL, R2FSWL).

FQ

2" Wall Wash

R2FRWT | R2FRWL | R2FSWT | R2FSWL

Fixture Type: _____

Project: _____

Catalog#: _____

Location: _____

ORDERING INFORMATION

HOUSINGS				
	Model	Power		Emergency Backup
New Construction Airtight - Round & Square Trim	R2FBNT	1	15W IC	EM <i>Optional</i>
		2	21W IC	
		3	25W Non-IC	
New Construction Frame-In - Round & Square Trim	R2FBFT	1	15W Non-IC	EM <i>Optional</i>
		2	21W Non-IC	
		3	25W Non-IC	
Remodel - Round & Square Trim	R2FBRT	1	15W Non-IC	N/A
		2	21W Non-IC	
		3	25W Non-IC	
New Construction IC Airtight - Round Trimless	R2FRNL	1	15W IC	N/A
		2	21W IC	
		3	25W Non-IC	
New Construction IC Airtight - Square Trimless	R2FSNL	1	15W IC	N/A
		2	21W IC	
		3	25W Non-IC	
Remodel - Round Trimless	R2FRRL	1	15W Non-IC	N/A
		2	21W Non-IC	
		3	25W Non-IC	
Remodel - Square Trimless	R2FSRL	1	15W Non-IC	N/A
		2	21W Non-IC	
		3	25W Non-IC	
Remodel - Round & Square Trim	R2FBR2T	1	15W IC	N/A

R2F ___ -
Example: R2FBNT-3

Millwork Housings	Size	Power
New Construction R2FRNM	A 0.8"	1 15W IC
	B 1.5"	2 21W IC
		3 25W Non-IC
New Construction R2FSNM	A 0.8"	1 15W IC
	B 1.5"	2 21W IC
		3 25W Non-IC

FQ

2" Wall Wash

R2FRWT | R2FRWL | R2FSWT | R2FSWL

Fixture Type: _____

Project: _____

Catalog#: _____

Location: _____

FEATURES

<p>Optics:</p> <ul style="list-style-type: none"> • High lumen output across four CCT options that are all rated 90 CRI • Powerful glare control due to the fixtures 30° shielding angle, 35° vertical tilting, and 360° horizontal rotation 	<p>Construction:</p> <ul style="list-style-type: none"> • Two piece die-cast aluminum constructed body and trim
<p>LED:</p> <ul style="list-style-type: none"> • High output COB LED with a 3-step Mac Adam ellipse • Rated operational life of 50,000 hours at L70 (LED maintains 70% of its initial delivered lumens when brand new for 50,000 hours of use.) 	<p>Trim and Reflector:</p> <ul style="list-style-type: none"> • Available in a wall wash (asymmetric) beam angle for even wall illumination both vertically and horizontally
<p>Electrical:</p> <ul style="list-style-type: none"> • Input power is universal 120-277VAC and 50/60 Hz • Available in 15W, 21W, and 25W power levels 	<p>Installation:</p> <ul style="list-style-type: none"> • Light engine is mounted onto the trim using springs that allow for easy replacement • Heavy gauge retention clips firmly support the trim within the housing
<p>Dimming:</p> <ul style="list-style-type: none"> • Electronic Low Voltage (ELV), TRIAC, and 0-10V dimming are available • ELV, TRIAC, and 0-10V are all capable of a range of 100 - 1% 	<p>Warranty:</p> <ul style="list-style-type: none"> • WAC Architectural limited warranty up to 5 years • Full warranty found at: wacighting.com/warranty
<p>Notes:</p> <ul style="list-style-type: none"> • The White, Black, and Dark Bronze finishes are all electrostatically powder coated • The Haze finish is enamel coated 	

Fixture Type: _____

Project: _____

Catalog#: _____

Location: _____

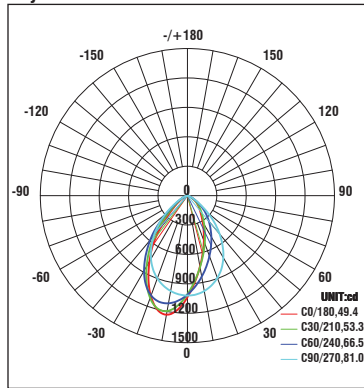
PERFORMANCE DATA

Polar Candela Distribution Charts

Samples shown with a fixture set to 3000K and 90 CRI.

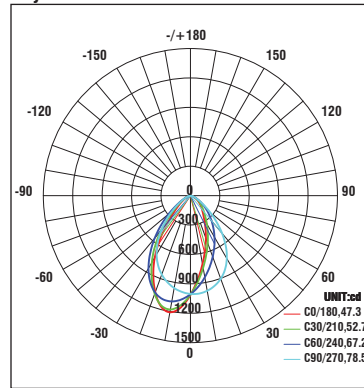
ROUND

Asymmetric Beam



SQUARE

Asymmetric Beam



FQ

2" Wall Wash

R2FRWT | R2FRWL | R2FSWT | R2FSWL

Fixture Type: _____

Project: _____

Catalog#: _____

Location: _____

PERFORMANCE DATA

Unified Glare Rating (UGR) Table

UGR values shown are calculated at 3000K and 90 CRI.

Round Fixture	Angle	UGR Range
Asymmetric	-	≤18

Square Fixture	Angle	UGR Range
Asymmetric	-	≤18

Lumens and CBCP Multiplier Table

Use the below table to determine lumens and CBCP values for the combinations of power, color temperature, and CRI values.

Multiplier		TRIM			
		927	930	935	940
HOUSING	3	0.95	1.00	1.02	1.06
	2	0.83	0.87	0.89	0.92
	1	0.61	0.64	0.65	0.68

DIMENSIONAL DIAGRAMS

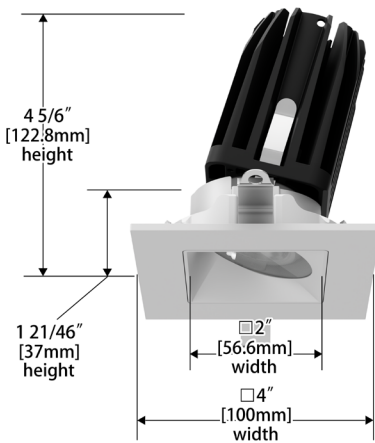
Round Trim (R2FRWT)



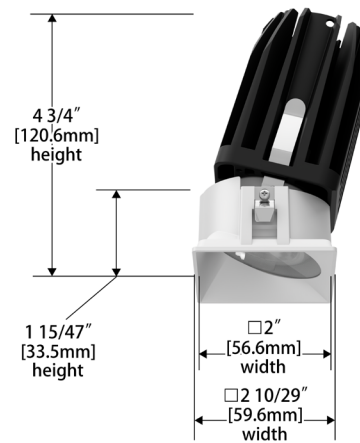
Round Trimless (R2FRWL)



Square Trim (R2FSWT)



Square Trimless (R2FSWL)



Fixture Type: _____

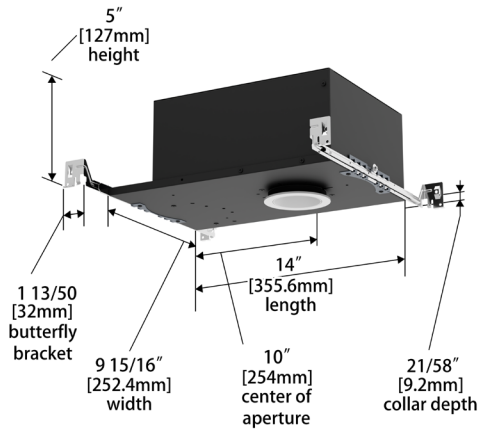
Project: _____

Catalog#: _____

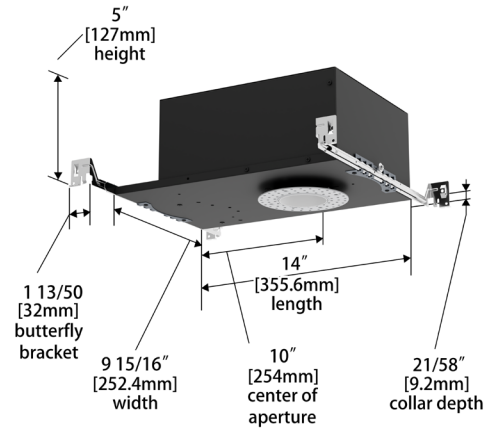
Location: _____

DIMENSIONAL DIAGRAMS

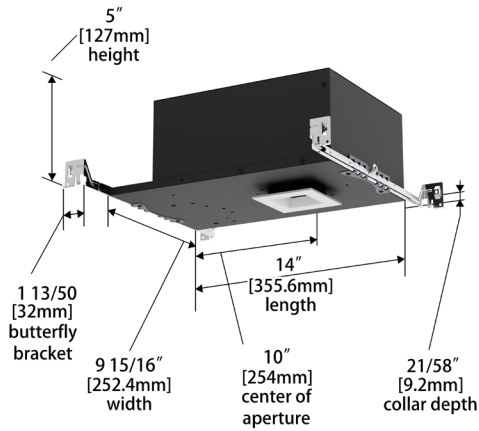
New Construction - Round Trim



New Construction - Round Trimless



New Construction - Square Trim



New Construction - Square Trimless

