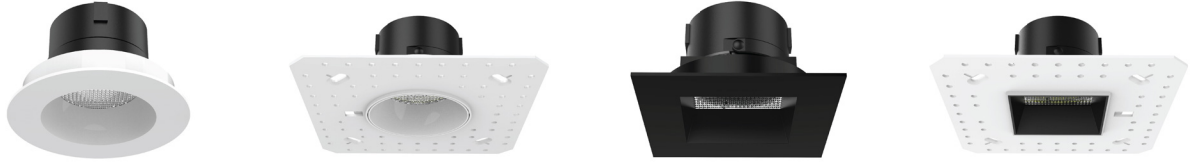


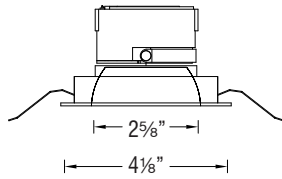
AETHER 2" - Downlight

R2ARDT | R2ARDL | R2ASDT | R2ASDL

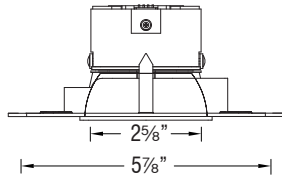
Fixture Type: _____
 Project: _____
 Catalog#: _____
 Location: _____



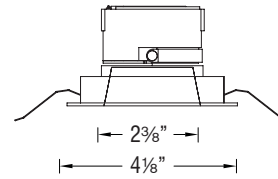
LINE DRAWING



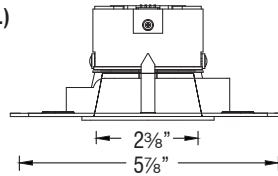
Round Trim (R2ARDT)



Round Trimless (R2ARDL)



Square Trim (R2ASDT)



Square Trimless (R2ASDL)

PRODUCT DESCRIPTION

The Aether 2" is compatible with shallow housings that are designed to fit in tight plenum spaces without sacrificing lumen output.

SPECIFICATIONS

Construction: Die-cast aluminum trim with die-cast aluminum heat sink
Mounting: Heavy gauge retention clips support trim firmly
 Ceiling cut out (Round): Trim \varnothing 3 3/4" \bigcirc
 Trimless \varnothing 4 1/8" \bigcirc
 Ceiling cut out (Square): Trim 3 3/4" x 3 3/4" \square
 Trimless 4 1/8" x 4 1/8" \square
 Remodel ceiling cutout: 3 3/4" \bigcirc , 3 3/4" x 3 3/4" \square
 Accommodates 1/2" - 1" ceiling thickness

Light Source: High output 3-step Mac Adam Ellipse COB
 Rated life of 50,000 hours at L70

Input: Universal 120-277V AC, 50/60 Hz

Dimming: ELV, TRIAC, and 0-10V: 100 - 5%

Maximum Delivered Intensity: Up to 8,807 cd (Round Spot 15°, 4000K, 85 CRI)

Maximum Delivered Output: Up to 1,397 lm (Square Narrow Flood 26°/Square Flood 40°, 4000K, 85 CRI)

Operating Temperature: -4°F to 104°F (-20°C to 40°C)

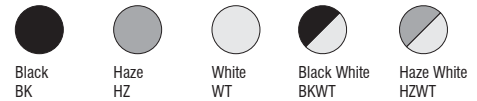
Standards: UL & cUL Wet location listed, Title 24 JA8 Compliant

Warranty: 5 year WAC Lighting guaranteed warranty

BEAM ANGLES



FINISHES



Model	Beam	Lumens	CBCP	Color Temp	Finish
		Ref Output*			
R2ARDT Round Trim	S 17° Round Square	1065	5185	827 - 2700K - 85	Black
		1065	5185		
R2ARDL Round Trimless	N 24° Round Square	1065	3335	830 - 3000K - 85	Haze
		1065	3335		
R2ASDT Square Trim	F 40° Round Square	1045	1835	840 - 4000K - 85	White
		1045	1835		
R2ASDL Square Trimless	W 50° Round Square	985	1200	927 - 2700K - 90	Black/White
		985	1200		
				930 - 3000K - 90	Haze/White

Lumens and CBCP are reference values for fixtures set to 3000K Color Temperature and 90 CRI. Refer to Multiplier Table in Performance Data to determine other outputs.

wacarchitectural.com | WAC Architectural, a WAC Group brand.

WAC Group Headquarters
 44 Harbor Park Drive
 Port Washington, NY 11050

WAC Architectural
 Phone (800) 526.2588
 Fax (800) 526.2585



APR 2026 | P. 1 of 7

WAC GROUP

AETHER
2" - Downlight

R2ARDT | R2ARDL | R2ASDT | R2ASDL

Fixture Type: _____
Project: _____
Catalog#: _____
Location: _____

ORDERING INFORMATION

CONFIGURATION TABLE			
Model & Power	Beam	Color Temperature & CRI	Reflector Finish
R2ARDT	S - 17°	827 - 2700K - 85	BK - BLACK
R2ARDL	N - 24°	830 - 3000K - 85	HZ - HAZE
R2ASDT	F - 40°	835 - 3500K - 85	WT - WHITE
R2ASDL	W - 50°	840 - 4000K - 85	BKWT - BLACK/WHITE
		927 - 2700K - 90	HZWT - HAZE/WHITE
		930 - 3000K - 90	

R2A ____ - ____ - ____
Example: R2ARAT-S930-BKWT

HOUSINGS		
	Model	Power
IC-Rated, Airtight Round Trim	HR-2LED-H13A	15W
IC-Rated, Airtight New Construction Chicago Plenum	HR-2LED-H13AC	15W
IC-Rated, Airtight Remodel	HR-2LED-R10A	9W
Non-IC Rated, Airtight Remodel	HR-2LED-R15A	15W

HR-2LED-____
Example: HR-2LED-H13A

ORDERING NOTES
1. Only trimmed fixtures cannot be ordered with a finish that includes a trim finish (BKWT, HZWT).

AETHER
2" - Downlight

R2ARDT | R2ARDL | R2ASDT | R2ASDL

Fixture Type: _____
 Project: _____
 Catalog#: _____
 Location: _____

FEATURES

<p>Optics:</p> <ul style="list-style-type: none"> • Strong lumen output from 2" aperture • Up to 1,310 lumens at 3000K and 1,397 lumens at 4000K 	<p>Construction:</p> <ul style="list-style-type: none"> • Fixture body includes die-cast aluminum trim and a die-cast aluminum heat sink • Built-in retention clips will firmly hold the trim to the housing that the fixture is installed in
<p>LED:</p> <ul style="list-style-type: none"> • High output COB LED with a 3-step Mac Adam ellipse • Rated operational life of 50,000 hours at L70 (LED maintains 70% of its initial delivered lumens when brand new for 50,000 hours of use.) 	<p>Trim and Reflector:</p> <ul style="list-style-type: none"> • Trimmed fixtures are wet location listed • Features a 2" trim aperture
<p>Electrical:</p> <ul style="list-style-type: none"> • Aether 2" is compatible with 120-277 VAC, 50/60 Hz • Aether 2" is only available in 15W with a power factor of 0.9 	<p>Installation:</p> <ul style="list-style-type: none"> • Requires housing for installation • All New Construction Aether 2" housings are all IC-rated • Remodel housings are available in 9W, which is IC rated, and 15W, which is non-IC rated • Aether 2" housings are suitable for ceilings with a thickness of ½" - 1"
<p>Dimming:</p> <ul style="list-style-type: none"> • Electronic Low Voltage (ELV), TRIAC, and 0-10V dimming are available • Each dimming option is capable of a 100 - 5% range 	<p>Warranty:</p> <ul style="list-style-type: none"> • WAC Architectural limited warranty up to 5 years • Full warranty found at: wacighting.com/warranty
<p>Notes:</p> <ul style="list-style-type: none"> • Trim and trimless fixtures of the same shape (Round/Square) have the same performance. Minor variations occur due to fixture shape. • The White and Black finishes are powder coated while the Haze is enamel coated and the Copper Bronze is plated and brushed. 	

AETHER

2" - Downlight

R2ARDT | R2ARDL | R2ASDT | R2ASDL

Fixture Type: _____

Project: _____

Catalog#: _____

Location: _____

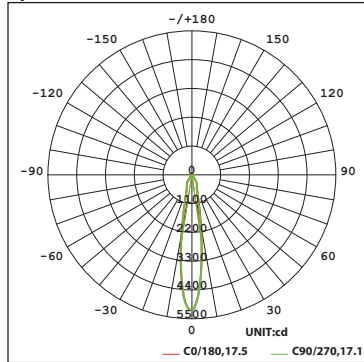
PERFORMANCE DATA

Polar Candela Distribution Charts

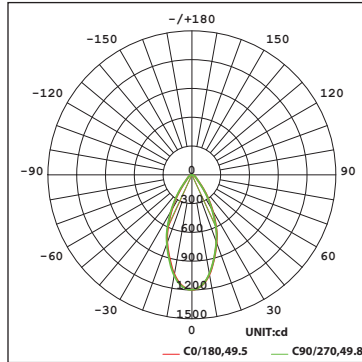
Samples shown from a 15W fixture set to 3000K and 90 CRI.

ROUND

Spot Beam: 17° Beam

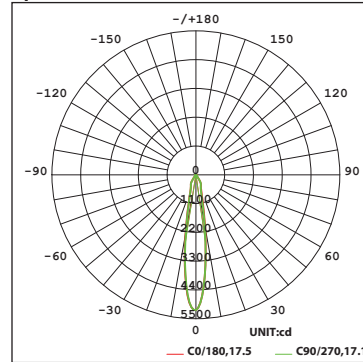


Wide Flood Beam: 50° Beam

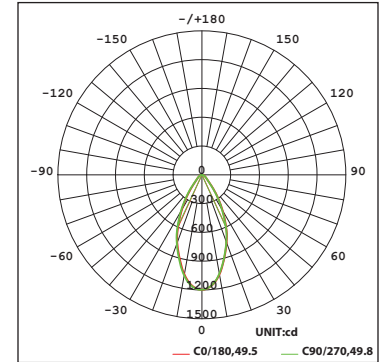


SQUARE

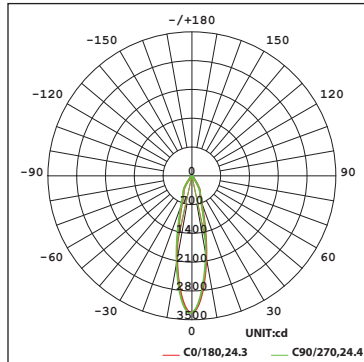
Spot Beam: 17° Beam



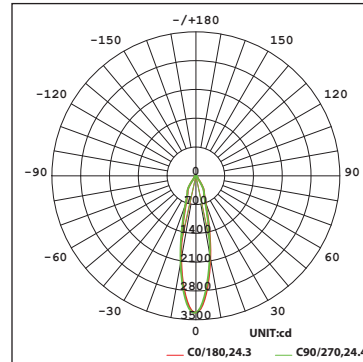
Wide Flood Beam: 50° Beam



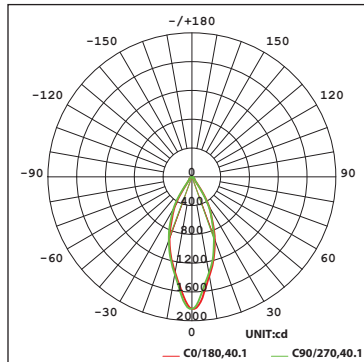
Narrow Flood Beam: 24° Beam



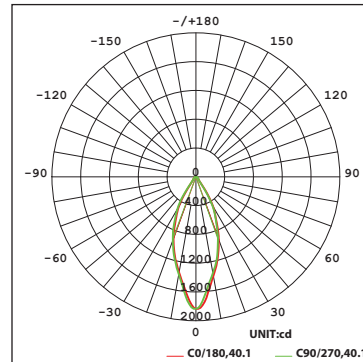
Narrow Flood Beam: 24° Beam



Flood Beam: 40° Beam



Flood Beam: 40° Beam



AETHER 2" - Downlight

R2ARDT | R2ARDL | R2ASDT | R2ASDL

Fixture Type: _____
 Project: _____
 Catalog#: _____
 Location: _____

PERFORMANCE DATA

Unified Glare Rating (UGR) Table

UGR values shown are calculated for a Round Trim fixture with a Spot Beam (17°) optic at 3000K and 90 CRI. General performance of other beam angles shown below.

ceiling/cavity	0.7	0.7	0.5	0.5	0.3	0.7	0.7	0.5	0.5	0.3	
walls	0.5	0.3	0.5	0.3	0.3	0.5	0.3	0.5	0.3	0.3	
working plane	0.2	0.2	0.2	0.2	0.2	0.2	0.2	0.2	0.2	0.2	
Room dimensions	Viewed crosswise					Viewed endwise					
x = 2H y = 2H	7.6	8.4	7.8	8.5	8.7	7.3	8.2	7.5	8.3	8.5	
3H	8.3	9.1	8.5	9.3	9.5	8.1	8.9	8.3	9.1	9.3	
4H	8.6	9.3	8.8	9.5	9.7	8.4	9.2	8.7	9.4	9.6	
6H	8.8	9.5	9.1	9.7	9.9	8.7	9.4	9.0	9.6	9.9	
8H	8.8	9.5	9.1	9.7	10.0	8.8	9.4	9.1	9.7	9.9	
12H	8.8	9.5	9.1	9.7	10.0	8.8	9.5	9.1	9.7	10.0	
4H	2H	7.8	8.5	8.0	8.7	8.9	7.6	8.3	7.8	8.5	8.7
3H	8.7	9.4	9.0	9.6	9.9	8.5	9.2	8.9	9.5	9.7	
4H	9.1	9.7	9.4	10.0	10.3	9.0	9.6	9.3	9.9	10.2	
6H	9.4	9.9	9.8	10.2	10.6	9.4	9.9	9.7	10.2	10.6	
8H	9.5	10.0	9.9	10.3	10.7	9.5	10.0	9.9	10.3	10.7	
12H	9.5	10.0	9.9	10.3	10.7	9.6	10.0	10.0	10.4	10.8	
8H	4H	9.2	9.7	9.6	10.1	10.4	9.1	9.6	9.5	10.0	10.3
6H	9.6	10.0	10.0	10.4	10.8	9.6	10.0	10.0	10.4	10.8	
8H	9.7	10.1	10.2	10.5	11.0	9.8	10.1	10.2	10.5	11.0	
12H	9.8	10.1	10.3	10.6	11.0	9.9	10.2	10.4	10.6	11.1	
12H	4H	9.2	9.6	9.6	10.0	10.4	9.1	9.6	9.5	9.9	10.3
6H	9.6	10.0	10.1	10.4	10.8	9.6	10.0	10.0	10.4	10.8	
8H	9.8	10.1	10.2	10.5	11.0	9.8	10.1	10.3	10.6	11.0	

Round Fixture	Angle	UGR Range
Spot	17°	≤11
Narrow Flood	24°	≤12
Flood	40°	≤12
Wide Flood	50°	≤14

Square Fixture	Angle	UGR Range
Spot	17°	≤11
Narrow Flood	24°	≤12
Flood	40°	≤12
Wide Flood	50°	≤14

Lumens and CBCP Multiplier Table

Use the below table to determine lumens and CBCP values for the combinations of power, color temperature, and CRI values.

Color Temperature and CRI					
827	830	835	840	927	930
1.16	1.23	1.26	1.27	0.96	1.00

AETHER

2" - Downlight

R2ARDT | R2ARDL | R2ASDT | R2ASDL

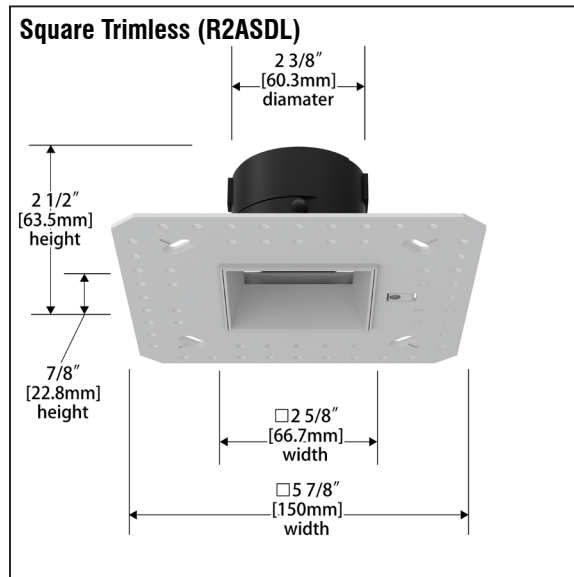
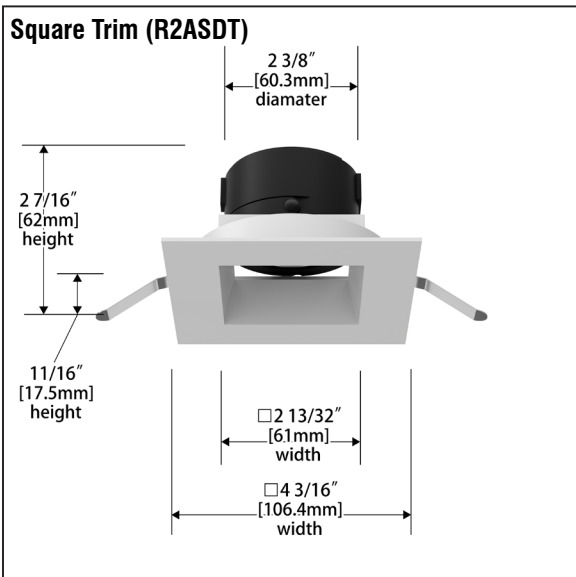
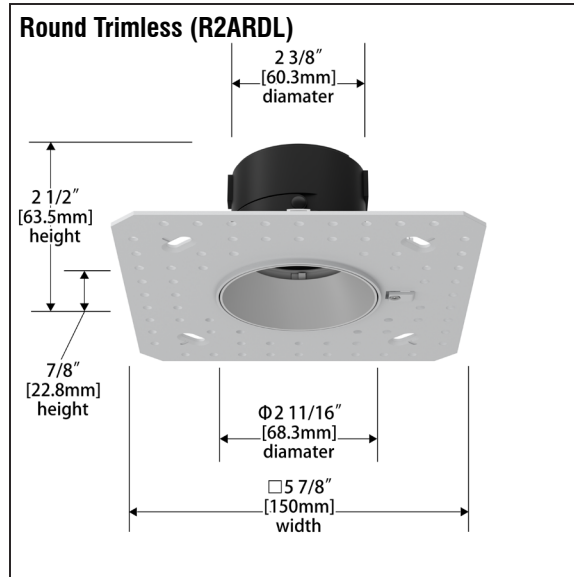
Fixture Type: _____

Project: _____

Catalog#: _____

Location: _____

DIMENSIONAL DIAGRAMS



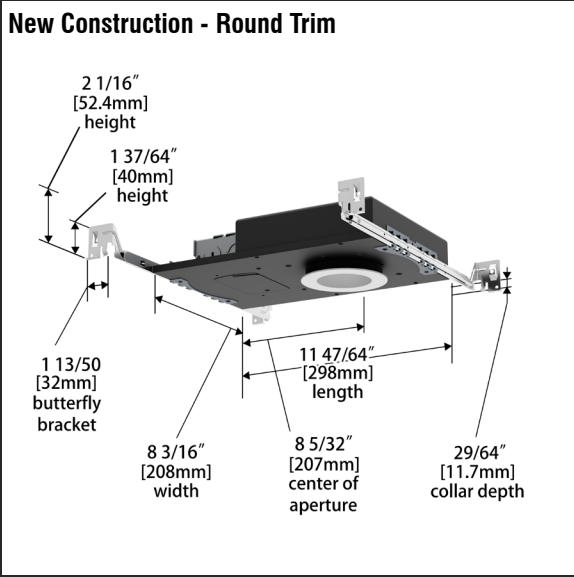
AETHER
2" - Downlight

R2ARDT | R2ARDL | R2ASDT | R2ASDL

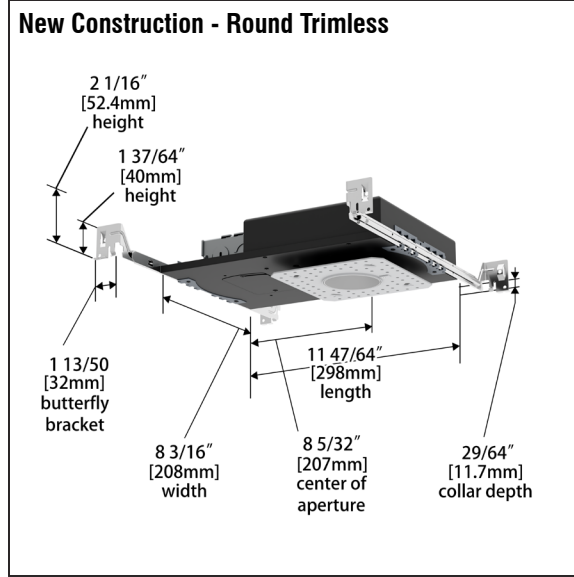
Fixture Type: _____
 Project: _____
 Catalog#: _____
 Location: _____

DIMENSIONAL DIAGRAMS

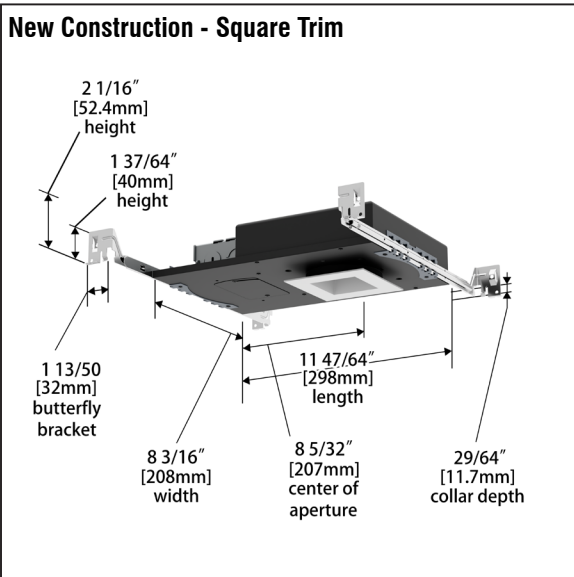
New Construction - Round Trim



New Construction - Round Trimless



New Construction - Square Trim



New Construction - Square Trimless

