

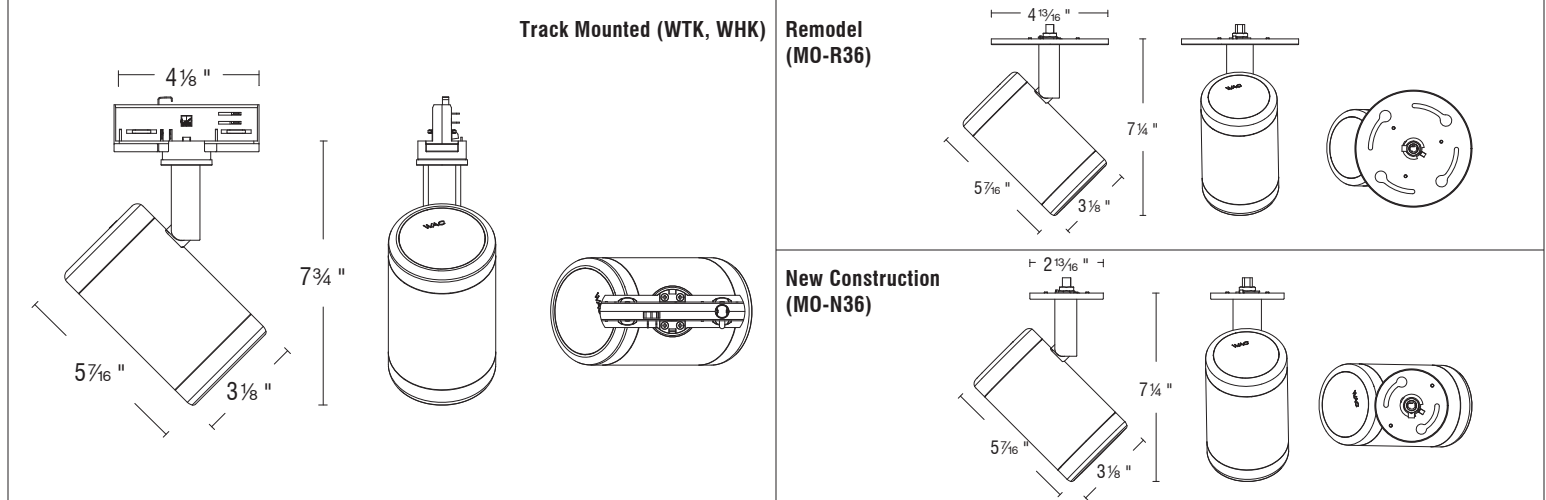
Mere High Power COB

WTK-36 | WHK-36 | MO-N36 | MO-R36

Fixture Type: _____
 Project: _____
 Catalog#: _____
 Location: _____



LINE DRAWING



PRODUCT DESCRIPTION

More flexible, smarter, and more versatile MERE track lighting. MERE offers a wide range of optical configurations, color temperatures, accessories, and even a DIY intelligent control module. The innovative 0-10V and knob dimming design makes on-site system commissioning and individual adjustment more flexible and convenient.

SPECIFICATIONS

Construction:	Injection molded polycarbonate low glare trim
Mounting:	Track mounted (WTK, WHK); ceiling mounted (MO) Ceiling cut out: $\varnothing 4\frac{1}{2}$ " Accommodates $\frac{1}{2}$ " - 2" ceiling thickness
Light Source:	High output 3-step Mac Adam Ellipse COB Rated life of 50,000 hours at L70
Input:	Universal 120-277V AC, 50/60 Hz
Power:	22W
Dimming:	ELV, TRIAC, and 0-10V: 100 - 1%
Operating Temperature:	-4°F to 104°F (-20°C to 40°C)
Standards:	ETL & cETL
Warranty:	5 year WAC Lighting guaranteed warranty

BEAM ANGLES



FINISHES



Model	Beam	Lumens Ref Output*	CBCP	Color Temp	CRI
WTK-36 WHK-36 $\varnothing 3.15$ " MO-N36 $\varnothing 80$ mm MO-R36	V 9°	945	2960	927 - 2700K 930 - 3000K 935 - 3500K 940 - 4000K	90
	S 12°	960	2470		
	N 24°	815	785		
	M 30°	960	2470		
	F 48°	815	785		

Lumens and CBCP are reference values for fixtures set to 3000K Color Temperature. Refer to Multiplier Table in Performance Data to determine other outputs.



Mere High Power COB

WTK-36 | WHK-36 | MO-N36 | MO-R36

Fixture Type: _____
 Project: _____
 Catalog#: _____
 Location: _____

ORDERING INFORMATION

CONFIGURATION TABLE			
Model & Power	Beam Angle	Color Temperature & CRI	Housing Finish
WTK-36 (120V)	V - Very Narrow 9°	927 - 2700K - 90	BK - BLACK
WHK-36 (277V)	S - Spot 12°	930 - 3000K - 90	WT - WHITE
MO-N36 (120-277V)	N - Narrow Flood 24°	935 - 3500K - 90	
MO-R36 (120-277V)	M - Medium Flood 30°	940 - 4000K - 90	
	F - Flood 48°		

W_K-36S-_____

Example: WTK-36S-S930WT

MO- 36S-_____

Example: MO-N36S-M930BK

ACCESSORIES	
LENS-36S-WWWT	TL36 WALL - WASHING LENS
LENS-36S-EEWT	TL36 STRECHTED LENS
LENS-36S-SSWT	TL36 SMALL DIFFUSION LENS
LENS-36S-MMWT	TL36 MEDIUM DIFFUSION LENS
LENS-36S-LLWT	TL36 HEAVY DIFFUSION LENS
LENS-36S-SQWT	TL36 SQUARE DIFFUSION LENS
LENS-36S-CSBK	TL36 12D DIFFUSION LENS MODULE BLACK
LENS-36S-CNBK	TL36 24D DIFFUSION LENS MODULE BLACK
LENS-36S-CMBK	TL36 36D DIFFUSION LENS MODULE BLACK
LENS-36S-CWBK	TL36 50D DIFFUSION LENS MODULE BLACK
LENS-36S-SNOOT-B	TL36 CONDENSER BLACK
LENS-36S-SNOOT-W	TL36 CONDENSER WHITE
LENS-36S-HCM	TL36 HONEYCOMB MESH
LENS-36S-BD-BK	TL36 LIGHT SHIELDING PLATE BLACK
LENS-36S-BD-WT	TL36 LIGHT SHIELDING PLATE WHITE
LENS-36S-HSBK	TL36 HISTORICAL SENSE FILTER
LENS-36S-RGBK	TL36 RECOGNITION FILTER
LENS-36S-PFBK	TL36 PREFERENCE FILTER

ORDERING NOTES

- The WTK-36 fixture is 120V and the WHK-36 fixture is 277V. Both fixtures are track mounted.
- The MO-N36 fixture is a ceiling mounted monopoint fixture for New Construction installations. The MO-R36 fixture is a ceiling mounted monopoint fixture for Remodel installations.

Mere
High Power COB

WTK-36 | WHK-36 | MO-N36 | MO-R36

Fixture Type: _____
 Project: _____
 Catalog#: _____
 Location: _____

FEATURES

<p>Optics:</p> <ul style="list-style-type: none"> • Fixture features adjustabilities of 0-365° horizontally and 0-90° vertically • Optical accessories feature toolless installation and removal 	<p>Construction:</p> <ul style="list-style-type: none"> • Die-cast aluminum body
<p>LED:</p> <ul style="list-style-type: none"> • High output COB LED with a 3-step Mac Adam ellipse • Rated operational life of 50,000 hours at L70 (LED maintains 70% of its initial delivered lumens when brand new for 50,000 hours of use.) 	<p>Trim and Reflector:</p> <ul style="list-style-type: none"> • Five beam angles are available: Very Narrow, Spot, Narrow Flood, Medium Flood, and Flood
<p>Electrical:</p> <ul style="list-style-type: none"> • Input power is universal 120-277VAC, 50/60 Hz • Available at a 22W power level 	<p>Installation:</p> <ul style="list-style-type: none"> • Suitable for W track systems
<p>Dimming:</p> <ul style="list-style-type: none"> • Electronic low voltage (ELV), TRIAC, and 0-10V dimming available • ELV, TRIAC, and 0-10V dimming is capable of a range of 100 - 1% 	<p>Warranty:</p> <ul style="list-style-type: none"> • WAC Architectural limited warranty up to 5 years • Full warranty found at: wacighting.com/warranty
<p>Notes:</p> <ul style="list-style-type: none"> • The White and Black finishes for the body are electrostatically powder coated 	

Mere High Power COB

WTK-36 | WHK-36 | MO-N36 | MO-R36

Fixture Type: _____

Project: _____

Catalog#: _____

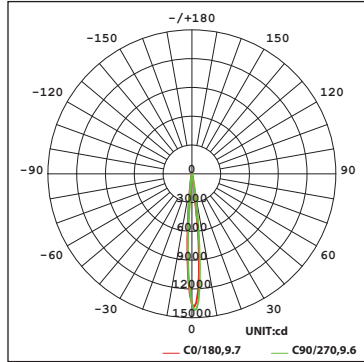
Location: _____

PERFORMANCE DATA

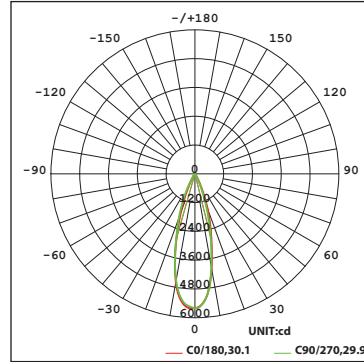
Polar Candela Distribution Charts

Samples shown with a 16W fixture with a White finish set to 3000K.

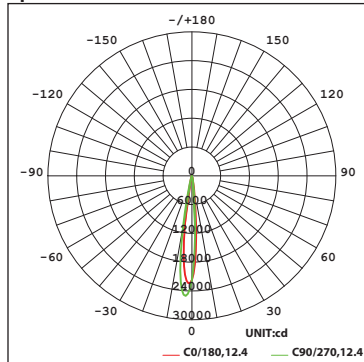
Very Narrow Beam: 9° Beam



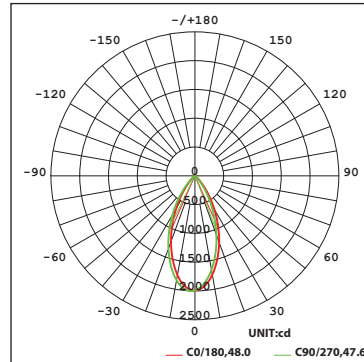
Medium Flood Beam: 36° Beam



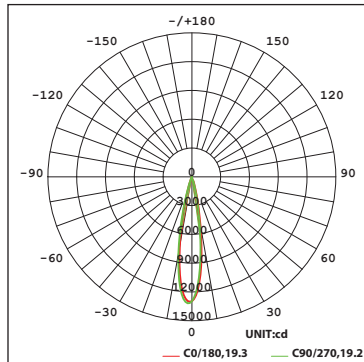
Spot Beam: 12° Beam



Wide Flood Beam: 50° Beam



Narrow Flood Beam: 24° Beam



Mere High Power COB

WTK-36 | WHK-36 | MO-N36 | MO-R36

Fixture Type: _____
 Project: _____
 Catalog#: _____
 Location: _____

PERFORMANCE DATA

Unified Glare Rating (UGR) Table

UGR values shown are calculated for a fixture with a Very Narrow Beam (9°) optic at 3000K and 90 CRI. General performance of other beam angles shown below.

ceiling/cavity	0.7	0.7	0.5	0.5	0.3	0.7	0.7	0.5	0.5	0.3	
walls	0.5	0.3	0.5	0.3	0.3	0.5	0.3	0.5	0.3	0.3	
working plane	0.2	0.2	0.2	0.2	0.2	0.2	0.2	0.2	0.2	0.2	
Room dimensions	Viewed crosswise					Viewed endwise					
x = 2H y = 2H	7.3	7.8	7.5	8.0	8.1	7.2	7.7	7.4	7.9	8.0	
3H	7.2	7.7	7.4	7.8	8.0	7.1	7.6	7.3	7.8	7.9	
4H	7.1	7.6	7.3	7.8	8.0	7.0	7.5	7.3	7.7	7.9	
6H	7.0	7.5	7.3	7.7	7.9	6.9	7.4	7.2	7.6	7.8	
8H	7.0	7.4	7.3	7.6	7.9	6.9	7.3	7.2	7.6	7.8	
12H	6.9	7.3	7.2	7.6	7.9	6.8	7.3	7.1	7.5	7.8	
4H	2H	7.1	7.6	7.4	7.8	8.0	7.1	7.5	7.3	7.7	7.9
3H	7.0	7.4	7.3	7.7	7.9	6.9	7.3	7.2	7.6	7.8	
4H	6.9	7.3	7.2	7.6	7.9	6.8	7.2	7.1	7.5	7.8	
6H	6.8	7.1	7.1	7.4	7.8	6.7	7.0	7.1	7.4	7.7	
8H	6.7	7.0	7.1	7.4	7.8	6.6	7.0	7.0	7.3	7.7	
12H	6.7	7.0	7.1	7.3	7.7	6.6	6.9	7.0	7.3	7.6	
8H	4H	6.7	7.0	7.1	7.4	7.8	6.6	7.0	7.0	7.3	7.7
6H	6.6	6.9	7.0	7.3	7.7	6.5	6.8	6.9	7.2	7.6	
8H	6.5	6.8	7.0	7.2	7.6	6.5	6.7	6.9	7.1	7.6	
12H	6.5	6.7	6.9	7.1	7.6	6.4	6.6	6.9	7.0	7.5	
12H	4H	6.7	7.0	7.1	7.3	7.7	6.6	6.9	7.0	7.3	7.6
6H	6.5	6.8	7.0	7.2	7.6	6.5	6.7	6.9	7.1	7.6	
8H	6.5	6.7	6.9	7.1	7.6	6.4	6.6	6.9	7.0	7.5	

Round Fixture	Angle	UGR Range
Very Narrow	9°	≤8
Spot	12°	≤13
Narrow Flood	24°	≤10
Medium Flood	36°	≤14
Wide Flood	50°	≤23

Lumens and CBCP Multiplier Table

Use the below table to determine lumens and CBCP values for the combinations of power, color temperature, and CRI values.

Color Temperature			
2700K	3000K	3500K	4000K
0.93	1.00	1.07	1.14

wacarchitectural.com | WAC Architectural, a WAC Group brand.

WAC Group Headquarters
 44 Harbor Park Drive
 Port Washington, NY 11050

WAC Architectural
 Phone (800) 526.2588
 Fax (800) 526.2585

APR 2026 | P. 5 of 8

WAC GROUP

Mere
High Power COB

WTK-36 | WHK-36 | MO-N36 | MO-R36

Fixture Type: _____
Project: _____
Catalog#: _____
Location: _____

DIMENSIONAL DIAGRAMS



Mere High Power COB

WTK-36 | WHK-36 | MO-N36 | MO-R36

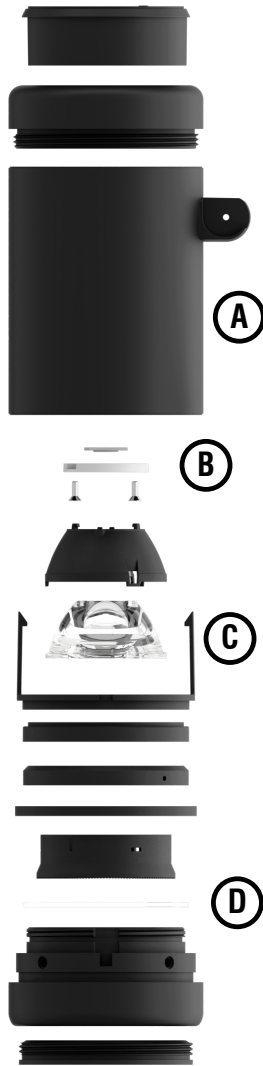
Fixture Type: _____

Project: _____

Catalog#: _____

Location: _____

EXPLODED VIEW DIAGRAM



Exploded View	
A	Fixture Body
B	LED Module
C	Reflector
D	Lens

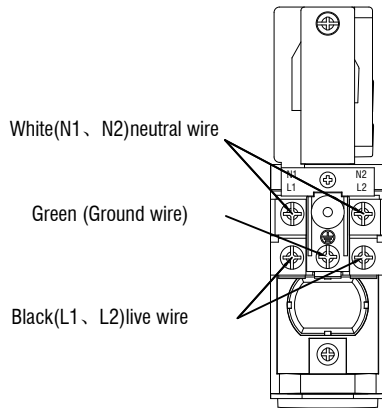
Mere High Power COB

WTK-36 | WHK-36 | MO-N36 | MO-R36

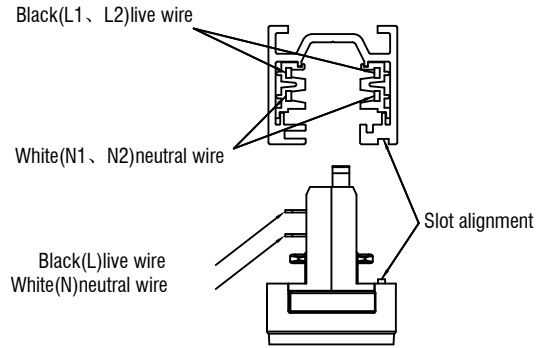
Fixture Type: _____
 Project: _____
 Catalog#: _____
 Location: _____

WIRING DIAGRAM

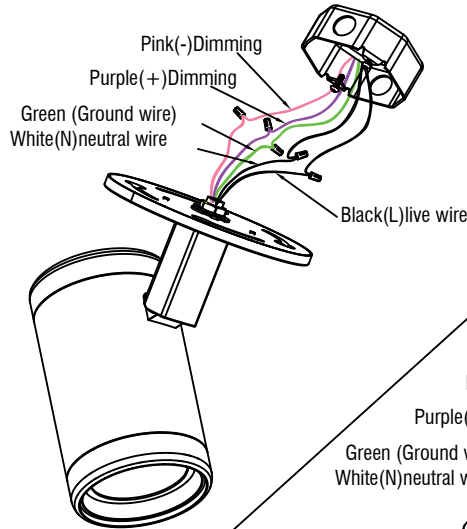
Schematic diagram of track inlet power connection.



Reference diagram for track and track connector circuit.



REMODEL



NEW CONSTRUCTION

