

Aether Atomic

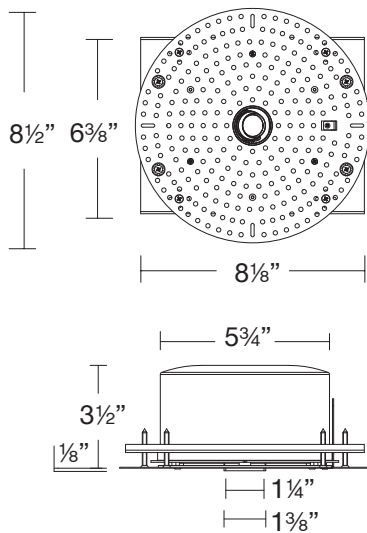
Round and Square Trimless Adjustable Housing

R1ARARL | R1ASARL

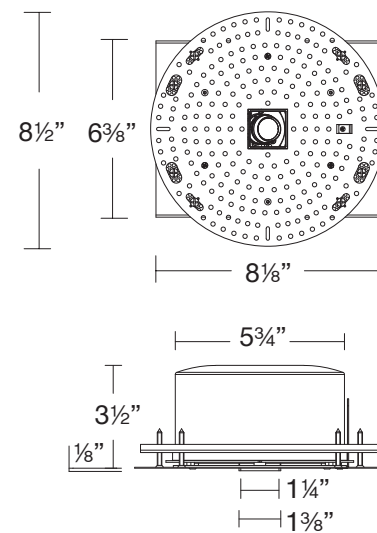
Fixture Type: _____
 Project: _____
 Catalog#: _____
 Location: _____



ROUND



SQUARE



PRODUCT DESCRIPTION

Minuscule and mighty, peerless and powerful, the new potent Aether Atomic launches into the light. An engineering recessed marvel for next generation futurists. Sublime and serviceable, it's an icon for the ages. Atomic breaks the mold with robust illumination from a diminutive aperture, for a clean, quiet

SPECIFICATIONS

- Construction:** Durable die-cast aluminum housing with stainless steel spackle frame
- Dimming:** ELV, TRIAC, and 0-10V: 100 - 1%
- Input Power:** 11W
- Light Source:** High output 3-step Mac Adam Ellipse COB
Rated life of 50,000 hours at L70
- Mounting:** Remodel - Fastened to aluminum ceiling plate with sheetrock screws.
Ceiling cutout: $\varnothing 6\frac{1}{2}$ "
New Construction - Fastened to frame-in kit with sheetrock screws.
Ceiling cutout: $\varnothing 6$ "
Accommodates $\frac{1}{2}$ " - 2" ceiling thickness
- Standards:** ETL & cETL Wet location listed, IC rated Airtight, Title 24 JA8 Compliant
- Warranty:** 5 year WAC Lighting guaranteed warranty

wacarchitectural.com | WAC Architectural, a WAC Group brand.

WAC Group Headquarters
 44 Harbor Park Drive
 Port Washington, NY 11050

WAC Lighting
 Phone (800) 526.2588
 Fax (800) 526.2585



APR 2026 | P. 1 of 2

WAC GROUP

Aether Atomic

Round and Square Trimless Adjustable Housing

R1ARARL | R1ASARL

Fixture Type: _____
 Project: _____
 Catalog#: _____
 Location: _____

ORDERING INFORMATION

HOUSINGS

Model	Power	Color Temp	CRI	Rating
Round Trimless, Airtight R1ARARL	11W	927 2700K	90	IC
		930 3000K	90	IC
		935 3500K	90	IC
Square Trimless, Airtight R1ASARL	11W	940 4000K	90	IC
		WD 3000K-1800K	90	IC

R1A ___ - ___

Example: R1ARARL-927

REMOTE POWER SUPPLY (Required)

Model	Input	Output	Dimmable	Dimensions
PS-0600A-UR1	120V-277V	1 Channel UL Class 2	ELV, TRIAC, 0-10V 100 - 1%	8 ³ / ₄ " x 2" x 1 ³ / ₈ "
PS-0600A-UR6	120V-277V	6 Channel UL Class 2	ELV, TRIAC, 0-10V 100 - 1%	10 ⁷ / ₈ " x 3 ⁷ / ₈ " x 1 ³ / ₈ "

FRAME-IN KIT (OPTIONAL/SOLD SEPARATELY)

Model	Description
R1ABFL	Frame-in kit for new construction installations.

ACCESSORIES (Sold Separately)

Model	Description
R1A-TOOL	Service tool for removing trim and light engine. Required for Adjustable fixtures and housings.

REPLACEMENT LIGHT ENGINE

- RPL-R1A-MOD-927**
- RPL-R1A-MOD-930**
- RPL-R1A-MOD-935**
- RPL-R1A-MOD-940**
- RPL-R1A-MOD-WD**