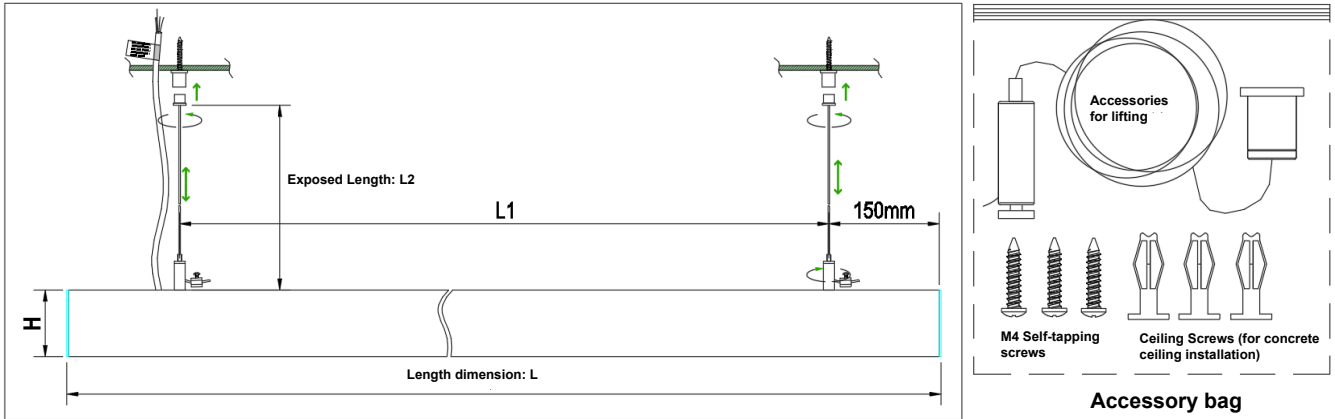


I. Installation Precaution:

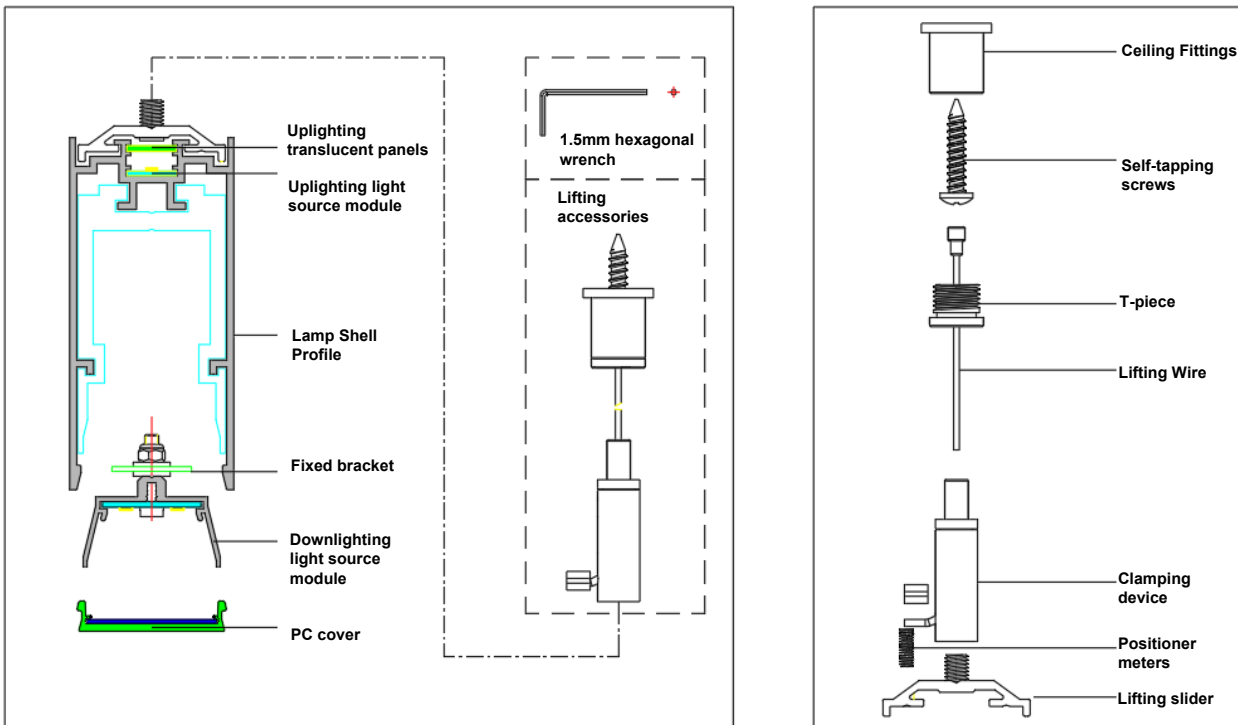
1. Please read all installation precautions carefully;
2. For indoor installation only (not for use in humid environments);
3. The installation and testing of the luminaires must be operated by professionally qualified personnel;
4. Please make sure to turn off the power before installation to prevent electric shock;
5. Please keep the instruction manual for reference.

II. Luminaire Size:

Installation distance L_1 = length of fixture L - 300mm.



III. Luminaire Structure and Accessories:



Authorized by WAC Lighting Corporation, USA, holder of the "WAC" trademark.

China Marketing Headquarters:

WAC Lighting Technology (Shanghai) Co.

Address:

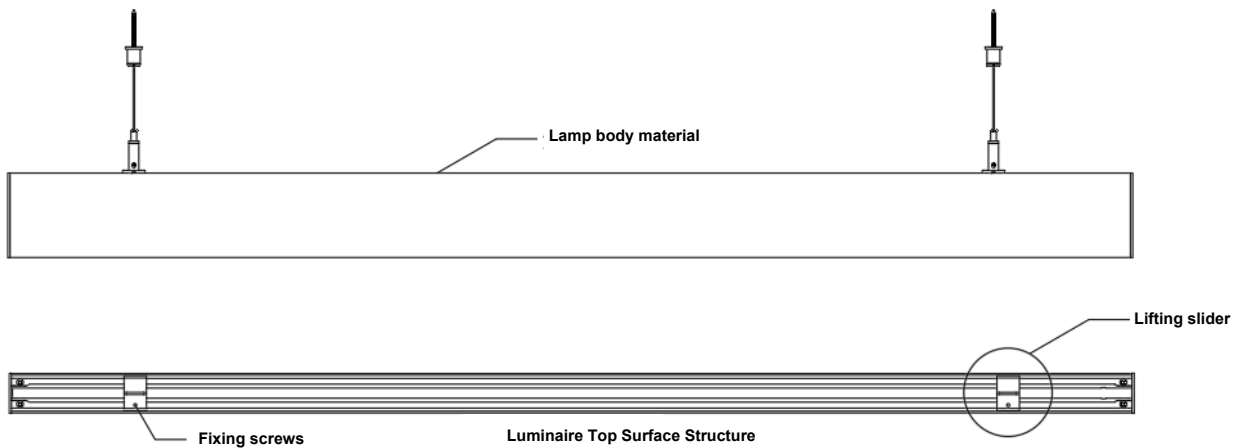
Room 102, No. 14, Lane 299, Bisheng Road, Pilot Free Trade Zone, Shanghai (201204), P.R.C.

China Factory:

Manufactured WAC Lighting(Dongguan)Co.,Ltd

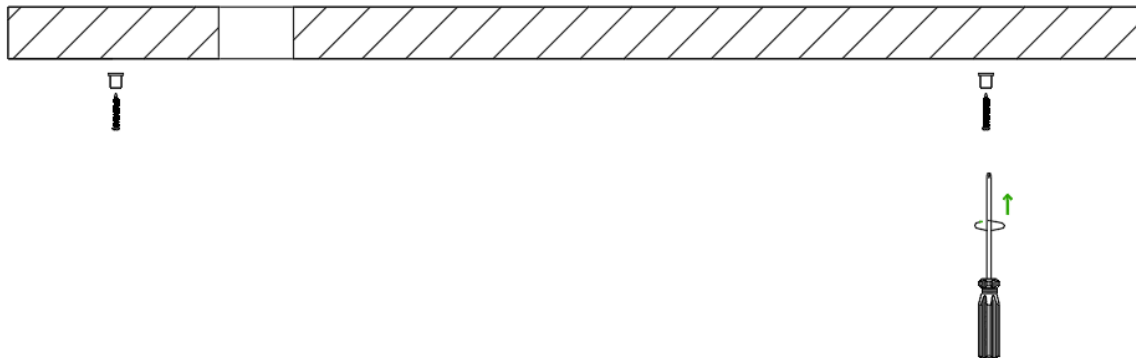
Address:

No. 390, Qingfeng Road, Qingxi Town, Dongguan City, Guangdong Province, 523653, P.R. China

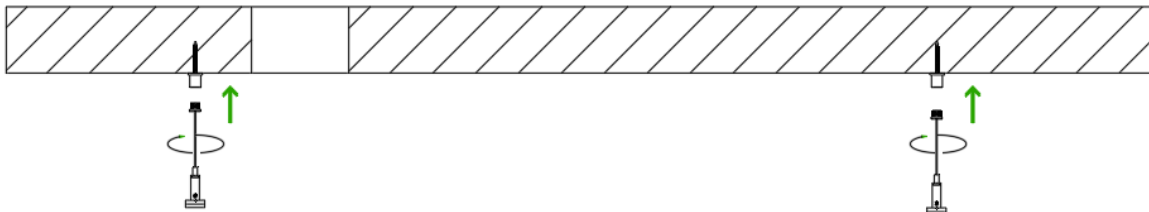


IV. Installation Methods and Procedures:

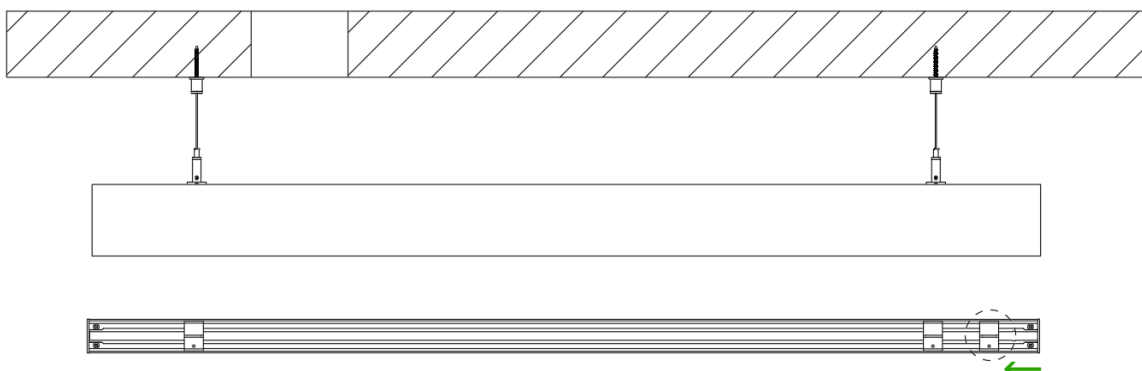
1. Secure the ceiling piece to the ceiling by locking the mounting screws with a screwdriver or power tool according to the dimension of lifting distance L.



2. Secure the T-piece to the ceiling piece by tightening it.



3. Adjust the lifting slider to a suitable position. Use hexagonal wrench to lock the fixing screws on the slider to fix the slider position. Press the cable catcher to adjust the fixture mounting height.



Authorized by WAC Lighting Corporation, USA, holder of the "WAC" trademark.

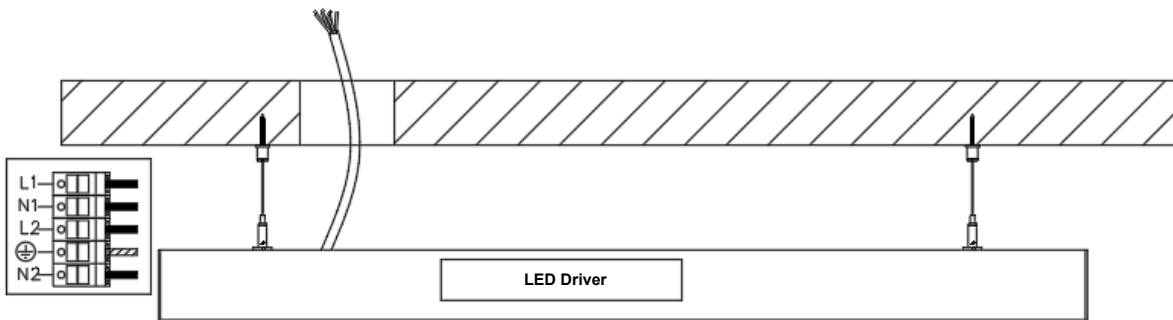
China Marketing Headquarters: WAC Lighting Technology (Shanghai) Co.

Address: Room 102, No. 14, Lane 299, Bisheng Road, Pilot Free Trade Zone, Shanghai (201204), P.R.C.

China Factory: Manufactured WAC Lighting(Dongguan)Co.,Ltd

Address: No. 390, Qingfeng Road, Qingxi Town, Dongguan City, Guangdong Province, 523653, P.R. China

4. As shown in the figure will be lamp power input line into the power supply, L for the fire wire, N for the zero wire, ⊕ for the ground wire. The input voltage is AC220V~240V 50/60Hz. light up the fixture to complete the fixture installation.



Authorized by WAC Lighting Corporation, USA, holder of the “WAC” trademark.

China Marketing Headquarters: WAC Lighting Technology (Shanghai) Co.

Address: Room 102, No. 14, Lane 299, Bisheng Road, Pilot Free Trade Zone, Shanghai (201204), P.R.C.

China Factory: Manufactured WAC Lighting(Dongguan)Co,Ltd

Address: No. 390, Qingfeng Road, Qingxi Town, Dongguan City, Guangdong Province, 523653, P.R. China