

Fuego Compact

1" RGBW

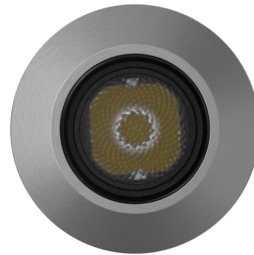
FCH01

Fixture Type: _____

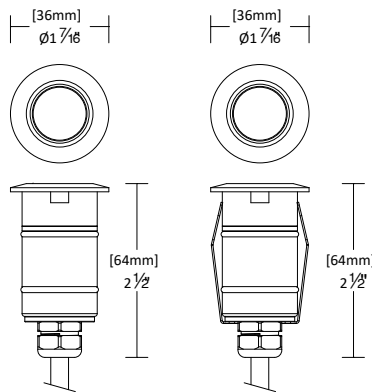
Project: _____

Catalog#: _____

Location: _____



LINE DRAWING



PRODUCT DESCRIPTION

The FUEGO Compact features a high-quality 316 stainless steel construction. It is designed for outdoor environments, with an IP68 protection rating, IK08 impact resistance rating, and a load-bearing capacity of up to 1500 kg. The fixture is equipped with a high-transmittance lens and a patented anti-glare system. The pre-buried sleeve design allows for easy installation and maintenance. It is ideal for use in residential areas, including parks, plazas, shopping centers, and for facade lighting applications.

BEAM ANGLES



| Model | Beam | Lumens Ref Output* | CBCP | Efficacy (lm/W) |
|------------|-----------|--------------------|------|-----------------|
| FCH01 1.4" | Flood 50° | 34 | 37 | 11 |

*Lumens and CBCP are reference values for fixtures set to 3000K Color Temperature. Refer to Multiplier Table on the next page to determine other outputs.

SPECIFICATIONS

| | |
|-------------------------------------|--|
| Construction: | Die-cast stainless steel trim with die-cast aluminum heat sink |
| Mounting: | In-ground installation with vacuum molded mud stopper and PVC casing In-ground cut out: Ø 1 15/16" / 33mm ○ |
| Light Source: | High output 3-step Mac Adam Ellipse Rated life of 50,000 hours at L70 |
| Input: | 24 VDC |
| Dimming: | DMX512-A with RDM |
| Maximum Delivered Intensity: | 37 cd |
| Maximum Delivered Output: | 34 lm |
| Operating Temperature: | -4°F to 114°F (-20°C to 50°C) |
| Standards: | UL & cUL Wet location listed |
| Warranty: | 5 year WAC Lighting guaranteed warranty |

wacarchitectural.com | WAC Architectural, a WAC Group brand.

WAC Group Headquarters
44 Harbor Park Drive
Port Washington, NY 11050

WAC Architectural
Phone (800) 526.2588
Fax (800) 526.2585

WAC Group retains the right to modify the design of our products at any time as part of the company's continuous improvement program.



APR 2026 | P. 1 of 2

WAC GROUP

Fuego Compact

1" RGBW

FCH01

Fixture Type: _____

Project: _____

Catalog#: _____

Location: _____

ORDERING INFORMATION

| CONFIGURATION TABLE | | | | |
|---------------------|--|--------------------|-----------------------|---|
| Model | Color Temperature & CRI | Control Options | Beam | Finish |
| FCH01 | RGB830 - 3000K - 80 RGB840 - 4000K - 80 RGB857 - 5700K - 80 | D: DMX512-A | F: Flood - 50° | SS: Black-painted Stainless Steel |

FCH01-RGB8__D-N-SS

Example: FCH01-RGB840D-N-SS

| Power Supplies | Power | Dimming Range |
|-------------------------|-------|---------------|
| DMX512-A and 0-10V | | |
| PS-OD24-U100R-DL | 96W | 10 - 100% |

Lumens and CBCP Multiplier Table

Use the below table to determine lumens and CBCP values for the combinations of power, color temperature, and CRI values.

| Color Temperature | | |
|-------------------|-------|-------|
| 3000K | 4000K | 5700K |
| 1.00 | 1.07 | 1.15 |