

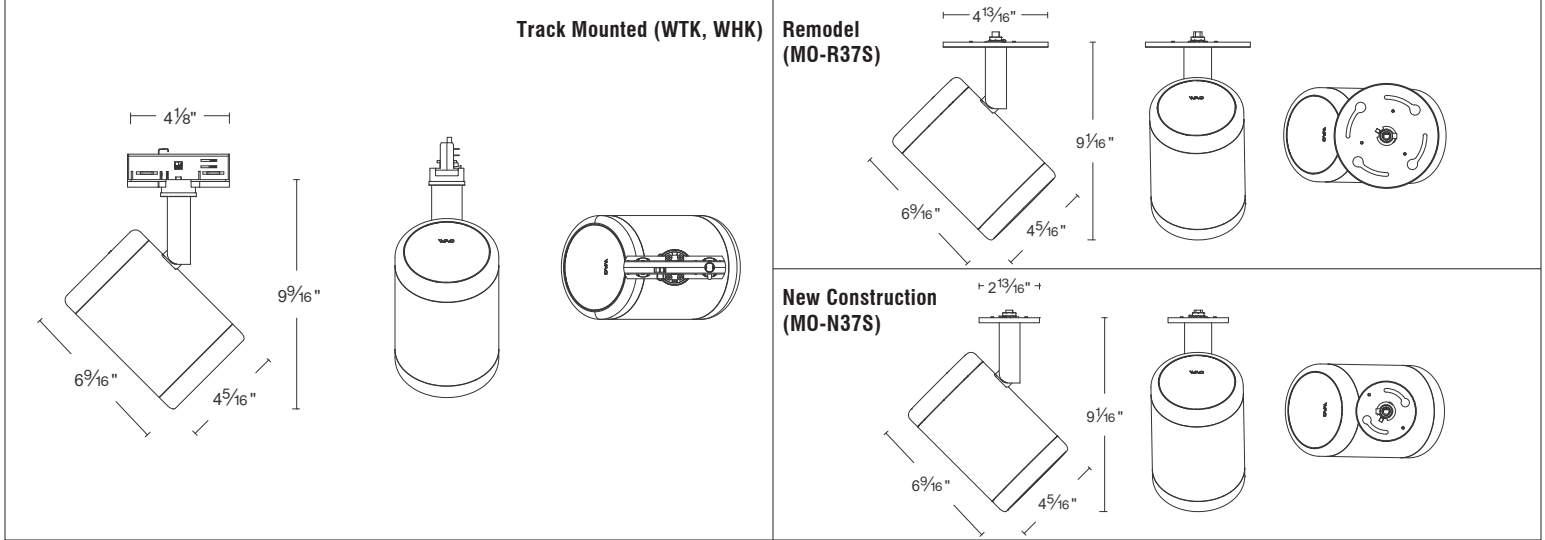
## Mere High Power COB

WTK-37S | WHK-37S | MO-N37S | MO-R37S

Fixture Type: \_\_\_\_\_  
 Project: \_\_\_\_\_  
 Catalog#: \_\_\_\_\_  
 Location: \_\_\_\_\_



### LINE DRAWING



### PRODUCT DESCRIPTION

Smarter, more flexible, and more versatile MERE track and monopoint lighting. MERE offers a wide range of optical configurations, color temperatures, accessories, and even a DIY intelligent control module.

### SPECIFICATIONS

<b>Construction:</b>	Injection molded polycarbonate low glare trim
<b>Mounting:</b>	Track mounted (WTK, WHK); ceiling mounted (MO) Ceiling cut out: Ø4 1/4" (MO-N (Spackle Plate), MO-R) Ø2 1/2" (MO-N (Non-Spackle Plate)) Accommodates 1/2" - 2" ceiling thickness
<b>Light Source:</b>	High output 3-step Mac Adam Ellipse COB Rated life of 50,000 hours at L70
<b>Input:</b>	Universal 120-277V AC, 50/60 Hz
<b>Power:</b>	21W (V beam only), 31W
<b>Dimming:</b>	Track (120V only): ELV, TRIAC : 100 - 1% Monopoint (120-277 VAC): ELV, TRIAC, 0-10V: 100 - 1%
<b>Operating Temperature:</b>	-4°F to 104°F (-20°C to 40°C)
<b>Standards:</b>	UL & cUL
<b>Warranty:</b>	5 year WAC Lighting guaranteed warranty

### BEAM ANGLES



### FINISHES



Model	Beam	Wattage	Lumens Ref Output*	CBCP	Color Temp	CRI
WTK-37S WHK-37S MO-N37S MO-R37S	V 8°	21W	1,823	46,859	927 - 2700K 930 - 3000K 935 - 3500K 940 - 4000K	90
	S 13°	31W	2,807	39,788		
	N 23°	31W	2,729	14,120		
	M 34°	31W	2,785	6,481		
	W 56°	31W	2,409	3,061		
	A Asym	31W	2,534	5,599		

Lumens and CBCP are reference values for fixtures set to 3000K Color Temperature. Refer to Multiplier Table in Performance Data to determine other outputs.

## Mere High Power COB

WTK-37S | WHK-37S | MO-N37S | MO-R37S

Fixture Type: \_\_\_\_\_  
 Project: \_\_\_\_\_  
 Catalog#: \_\_\_\_\_  
 Location: \_\_\_\_\_

### ORDERING INFORMATION

CONFIGURATION TABLE			
Model & Power	Beam Angle	Color Temperature & CRI	Housing Finish
<b>WTK-37S</b> (120V)	<b>V</b> - Very Narrow	<b>927</b> - 2700K - 90	<b>BK</b> - BLACK
<b>WHK-37S</b> (277V)	<b>S</b> - Spot	<b>930</b> - 3000K - 90	<b>WT</b> - WHITE
<b>MO-N37S</b> (120-277V)	<b>N</b> - Narrow Flood	<b>935</b> - 3500K - 90	
<b>MO-R37S</b> (120-277V)	<b>M</b> - Medium Flood	<b>940</b> - 4000K - 90	
	<b>W</b> - Wide Flood		
	<b>A</b> - Asym (Wall Wash)		

**W\_K-37S-**\_\_\_\_\_

Example: WTK-37S-S930WT

**MO- \_37S-**\_\_\_\_\_

Example: MO-N37S-M930BK

ACCESSORIES	
ACC-LENS-A-37S	WALL WASH LENS 37S
ACC-LENS-EE-37S	ELONGATING BEAM LENS 37S
ACC-LENS-SS-37S	DIFFUSOR LIGHT 37S
ACC-LENS-MM-37S	DIFFUSOR MEDIUM 37S
ACC-LENS-LL-37S	DIFFUSOR HEAVY 37S
ACC-LENS-SQ-37S	SQUARE BEAM LENS 37S
ACC-LENS-S-37S	SPOT BEAM LENS 37S
ACC-LENS-N-37S	NARROW FLOOD BEAM LENS 37S
ACC-LENS-M-37S	MEDIUM FLOOD BEAM LENS 37S
ACC-LENS-F-37S	FLOOD BEAM LENS 37S
ACC-SNT-37S-BK	SNOOT 37S BLACK
ACC-SNT-37S-WT	SNOOT 37S WHITE
ACC-HCL-37S	HONEYCOMB 37S
ACC-BD-37S-BK	BARN DOOR 37S BLACK
ACC-BD-37S-WT	BARN DOOR 37S WHITE

### ORDERING NOTES

- The WTK-37S fixture is 120V and the WHK-37S fixture is 277V. Both fixtures are track mounted.
- The MO-N37S fixture is a ceiling mounted monopoint fixture for New Construction installations. The MO-R37S fixture is a ceiling mounted monopoint fixture for Remodel installations.

Mere  
High Power COB

WTK-37S | WHK-37S | MO-N37S | MO-R37S

Fixture Type: \_\_\_\_\_  
 Project: \_\_\_\_\_  
 Catalog#: \_\_\_\_\_  
 Location: \_\_\_\_\_

**FEATURES**

<p><b>Optics:</b></p> <ul style="list-style-type: none"> <li>• Fixture features adjustabilities of 0-360° horizontally and 0-90° vertically</li> <li>• Optical accessories feature toolless installation and removal</li> </ul>	<p><b>Construction:</b></p> <ul style="list-style-type: none"> <li>• Die-cast aluminum body</li> </ul>
<p><b>LED:</b></p> <ul style="list-style-type: none"> <li>• High output COB LED with a 3-step Mac Adam ellipse</li> <li>• Rated operational life of 50,000 hours at L70 (LED maintains 70% of its initial delivered lumens when brand new for 50,000 hours of use.)</li> </ul>	<p><b>Trim and Reflector:</b></p> <ul style="list-style-type: none"> <li>• Six beam angles are available: Very Narrow, Spot, Narrow Flood, Medium Flood, Wide Flood, and Asymmetric (Wall Wash)</li> </ul>
<p><b>Electrical:</b></p> <ul style="list-style-type: none"> <li>• Input power is universal 120-277VAC, 50/60 Hz</li> <li>• Available at 21W (V beam only) and 31W</li> </ul>	<p><b>Installation:</b></p> <ul style="list-style-type: none"> <li>• Suitable for W track systems</li> </ul>
<p><b>Dimming:</b></p> <ul style="list-style-type: none"> <li>• Electronic low voltage (ELV), TRIAC, and 0-10V dimming available</li> <li>• ELV, TRIAC, and 0-10V dimming is capable of a range of 100 - 1%</li> </ul>	<p><b>Warranty:</b></p> <ul style="list-style-type: none"> <li>• WAC Architectural limited warranty up to 5 years</li> <li>• Full warranty found at: <a href="http://wacighting.com/warranty">wacighting.com/warranty</a></li> </ul>
<p><b>Notes:</b></p> <ul style="list-style-type: none"> <li>• The White and Black finishes for the body are electrostatically powder coated</li> </ul>	

## Mere High Power COB

WTK-37S | WHK-37S | MO-N37S | MO-R37S

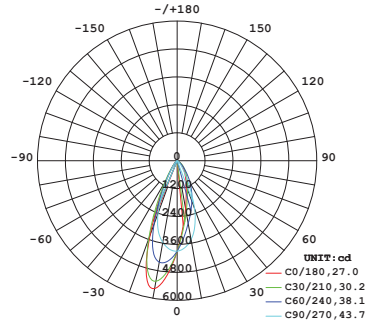
Fixture Type: \_\_\_\_\_  
 Project: \_\_\_\_\_  
 Catalog#: \_\_\_\_\_  
 Location: \_\_\_\_\_

### PERFORMANCE DATA

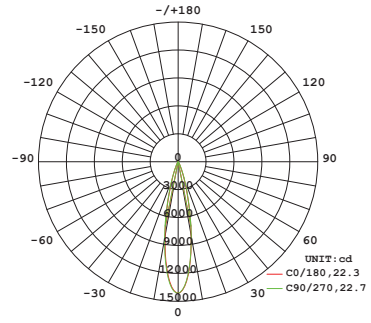
#### Polar Candela Distribution Charts

Samples shown with a 38W fixture set to 3000K.

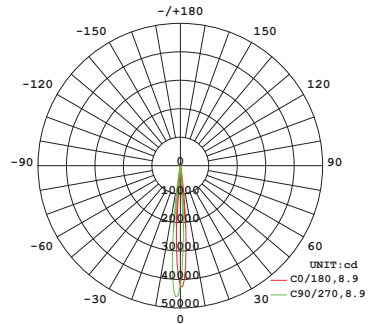
**Wall Wash Beam: Asymmetric**



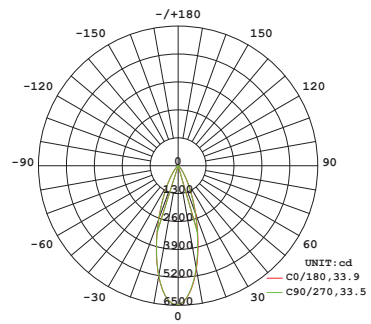
**Narrow Flood Beam: 23° Beam**



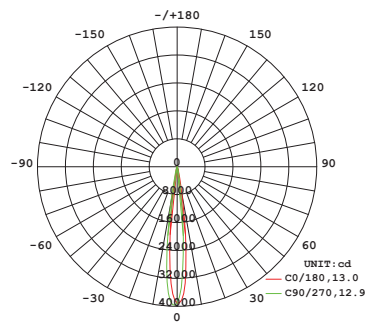
**Very Narrow Beam: 8° Beam**



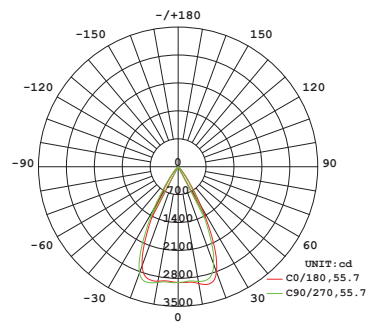
**Medium Flood Beam: 34° Beam**



**Spot Beam: 13° Beam**



**Wide Flood Beam: 56° Beam**



Mere  
High Power COB

WTK-37S | WHK-37S | MO-N37S | MO-R37S

Fixture Type: \_\_\_\_\_  
 Project: \_\_\_\_\_  
 Catalog#: \_\_\_\_\_  
 Location: \_\_\_\_\_

**PERFORMANCE DATA**

**Unified Glare Rating (UGR) Table**

General performance of fixtures at 3000K and 90 CRI shown below.

Round Fixture	Angle	UGR Range
Wall Wash	Asymmetric	≤20
Very Narrow	8°	≤8
Spot	13°	≤10
Narrow Flood	23°	≤11
Medium Flood	34°	≤19
Wide Flood	56°	≤18

**Lumens and CBCP Multiplier Table**

Use the below table to determine lumens and CBCP values for the combinations of power, color temperature, and CRI values.

Color Temperature			
2700K	3000K	3500K	4000K
0.93	1.00	1.07	1.14

Mere  
High Power COB

WTK-37S | WHK-37S | MO-N37S | MO-R37S

Fixture Type: \_\_\_\_\_  
Project: \_\_\_\_\_  
Catalog#: \_\_\_\_\_  
Location: \_\_\_\_\_

**DIMENSIONAL DIAGRAMS**



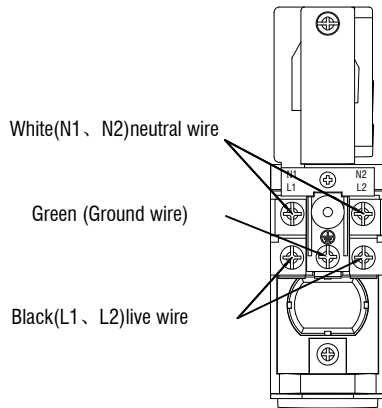
## Mere High Power COB

WTK-37S | WHK-37S | MO-N37S | MO-R37S

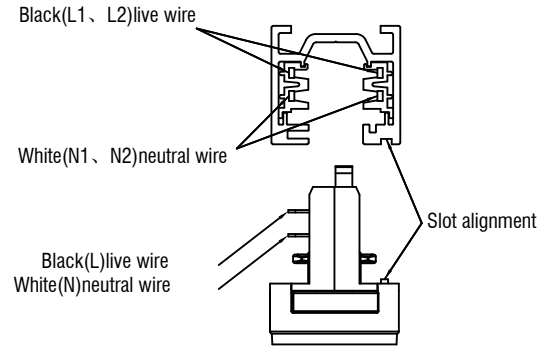
Fixture Type: \_\_\_\_\_  
 Project: \_\_\_\_\_  
 Catalog#: \_\_\_\_\_  
 Location: \_\_\_\_\_

### WIRING DIAGRAM

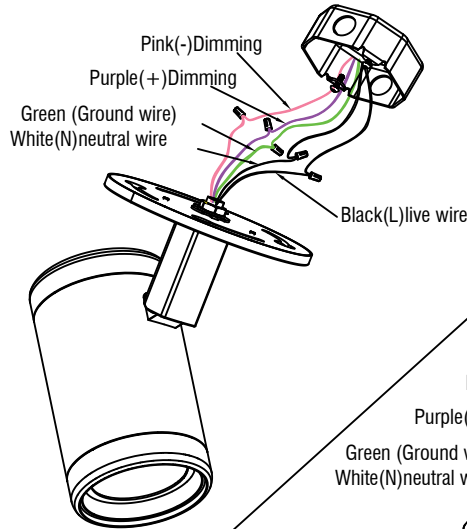
Schematic diagram of track inlet power connection.



Reference diagram for track and track connector circuit.



### REMODEL



### NEW CONSTRUCTION

