

## AETHER

### Atomic - Wall Wash

R1ARWT | R1ARWL | R1ASWT | R1ASWL

Fixture Type: \_\_\_\_\_  
 Project: \_\_\_\_\_  
 Catalog#: \_\_\_\_\_  
 Location: \_\_\_\_\_

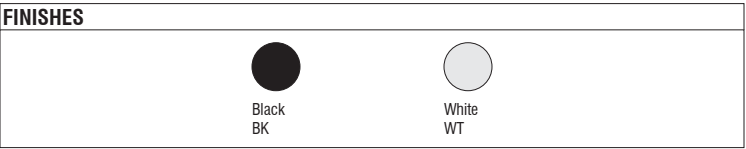


**PRODUCT DESCRIPTION**

Minuscule and mighty, peerless and powerful, the new potent Aether Atomic launches into the light. An engineering recessed marvel for next generation futurists. Sublime and serviceable, it's an icon for the ages. Atomic breaks the mold with robust illumination from a diminutive aperture, for a clean, quiet ceiling.

**SPECIFICATIONS**

<b>Construction:</b>	Injection molded polycarbonate low glare trim
<b>Mounting:</b>	Heavy gauge retention clips support trim firmly Ceiling cut out (Round): Trim $\varnothing$ 1 1/4" $\bigcirc$ Trimless $\varnothing$ 1 1/4" $\bigcirc$ Ceiling cut out (Square): Trim 1 1/4" x 1 1/4" $\square$ Trimless 1 1/4" x 1 1/4" $\square$ Accommodates 1/2" - 2" ceiling thickness
<b>Light Source:</b>	High output 3-step Mac Adam Ellipse COB Rated life of 50,000 hours at L70
<b>Input:</b>	Universal 120-277V AC, 50/60 Hz
<b>Dimming:</b>	ELV, TRIAC, and 0-10V: 100 - 1%
<b>Maximum Delivered Output:</b>	Up to 661 lm (Square Asymmetric, 4000K)
<b>Operating Temperature:</b>	-4°F to 104°F (-20°C to 40°C)
<b>Standards:</b>	ETL & cETL, IC rated Airtight, Title 24 JA8 Compliant
<b>Warranty:</b>	5 year WAC Lighting guaranteed warranty



Model	Beam	Lumens	CBCP	Color Temp	CRI
		Ref Output*			
R1ARWT Round Trim	A Asym	530	N/A	927 - 2700K	90
R1ARWL Round Trimless				930 - 3000K	
R1ASWT Square Trim				935 - 3500K	
R1ASWL Square Trimless				940 - 4000K	

Lumens and CBCP are reference values for fixtures set to 3000K Color Temperature. Refer to Multiplier Table in Performance Data to determine other outputs.

## AETHER

### Atomic - Wall Wash

R1ARWT | R1ARWL | R1ASWT | R1ASWL

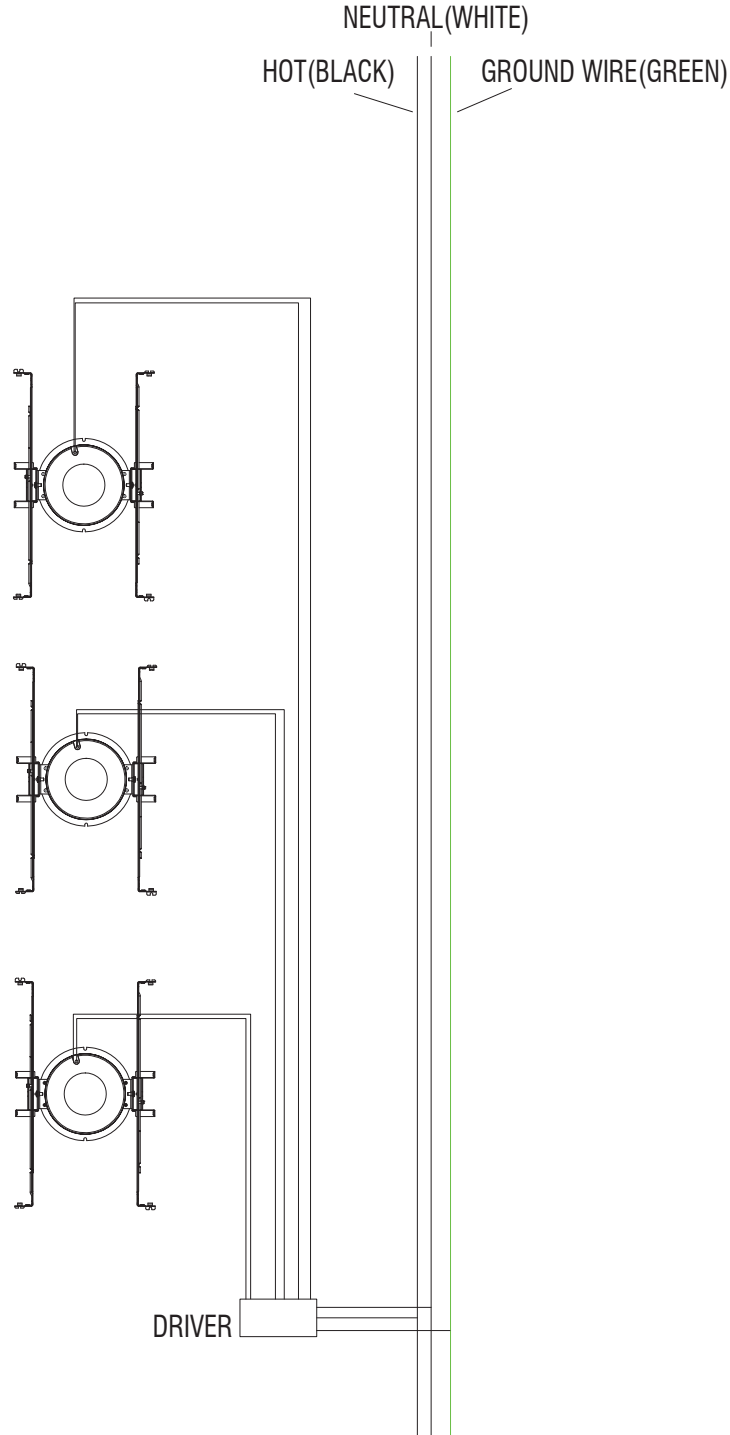
Fixture Type: \_\_\_\_\_

Project: \_\_\_\_\_

Catalog#: \_\_\_\_\_

Location: \_\_\_\_\_

#### WIRING DIAGRAMS



# AETHER

## Atomic - Wall Wash

R1ARWT | R1ARWL | R1ASWT | R1ASWL

Fixture Type: \_\_\_\_\_  
 Project: \_\_\_\_\_  
 Catalog#: \_\_\_\_\_  
 Location: \_\_\_\_\_

### ORDERING INFORMATION

CONFIGURATION TABLE	
Model & Power	Finishes
<b>R1ARWT</b>	<b>BK - BLACK</b>
<b>R1ASWT</b>	<b>WT - WHITE</b>
<b>R1ARWL</b>	
<b>R1ASWL</b>	

R1A \_\_\_ - \_\_\_

Example: R1ARWT-BKWT

HOUSINGS (Required)			
Model	Power	Color Temperature & CRI	
IC-Rated, Airtight Round Trim  R1ARNT	11W	927 - 2700K - 90	
		930 - 3000K - 90	
		935 - 3500K - 90	
		940 - 4000K - 90	
		WD - 3000K-1800K - 90	
IC-Rated, Airtight Square Trim  R1ASNT	11W	927 - 2700K - 90	
		930 - 3000K - 90	
		935 - 3500K - 90	
		940 - 4000K - 90	
		WD - 3000K-1800K - 90	
IC-Rated, Airtight Round Trimless  R1ARRL	11W	927 - 2700K - 90	
		930 - 3000K - 90	
		935 - 3500K - 90	
		940 - 4000K - 90	
		WD - 3000K-1800K - 90	
IC-Rated, Airtight Square Trimless  R1ASRL	11W	927 - 2700K - 90	
		930 - 3000K - 90	
		935 - 3500K - 90	
		940 - 4000K - 90	
		WD - 3000K-1800K - 90	

R1A \_\_\_ - \_\_\_

Example: R1ARRL-927

POWER SUPPLIES (Required)		
Model	Input	Output
PS-0600A-UR1	120V-277V	1 Channel UL Class 2
PS-0600A-UR6	120V-277V	6 Channels UL Class 2

PS-0600A-UR\_

Example: PS-0600A-UR1

Accessories	
Model	Description
R1A-TOOL	Service tool for removing trim and light engine

# AETHER

## Atomic - Wall Wash

R1ARWT | R1ARWL | R1ASWT | R1ASWL

Fixture Type: \_\_\_\_\_

Project: \_\_\_\_\_

Catalog#: \_\_\_\_\_

Location: \_\_\_\_\_

### FEATURES

<p><b>Optics:</b></p> <ul style="list-style-type: none"> <li>• Strong lumen output from ½” or 1” aperture</li> <li>• Up to 621 lumens at 3000K and 661 lumens at 4000K</li> <li>• Removable and replaceable light engine</li> </ul>	<p><b>Construction:</b></p> <ul style="list-style-type: none"> <li>• Injection molded polycarbonate trim produces low glare</li> <li>• Low profile housing for installation in shallow plenums</li> </ul>
<p><b>LED:</b></p> <ul style="list-style-type: none"> <li>• High output COB LED with a 3-step Mac Adam ellipse</li> <li>• Rated operational life of 50,000 hours at L70 (LED maintains 70% of its initial delivered lumens when brand new for 50,000 hours of use.)</li> </ul>	<p><b>Trim and Reflector:</b></p> <ul style="list-style-type: none"> <li>• Field changeable beam angle with reflectors that are provided with every fixture</li> </ul>
<p><b>Electrical:</b></p> <ul style="list-style-type: none"> <li>• Aether Atomic is compatible with 120-277 VAC, 50/60 Hz</li> <li>• Aether Atomic is only available in an 11W power level</li> </ul>	<p><b>Installation:</b></p> <ul style="list-style-type: none"> <li>• Requires housing for installation</li> <li>• Trim and trimless Aether Atomic housings are all IC-rated</li> <li>• Aether Atomic housings are suitable for drywall and grid ceilings between ½” - ¾” thick and wood ceilings between ½” - 2” thick.</li> </ul>
<p><b>Dimming:</b></p> <ul style="list-style-type: none"> <li>• Electronic Low Voltage (ELV), TRIAC, and 0-10V dimming are available</li> <li>• Each dimming option is capable of a 100 - 1% range</li> </ul>	<p><b>Warranty:</b></p> <ul style="list-style-type: none"> <li>• WAC Architectural limited warranty up to 5 years</li> <li>• Full warranty found at: <a href="http://waclighting.com/warranty">waclighting.com/warranty</a></li> </ul>
<p><b>Notes:</b></p> <ul style="list-style-type: none"> <li>• Trim and trimless fixtures of the same shape (Round/Square) have the same performance. Minor variations occur due to fixture shape.</li> <li>• The White and Black finishes are powder coated while the Haze is enamel coated and the Copper Bronze is plated and brushed.</li> <li>• The Aether Atomic service tool (R1A-TOOL) is required for fixture angle adjustment and trim and light engine removal.</li> </ul>	

# AETHER

## Atomic - Wall Wash

R1ARWT | R1ARWL | R1ASWT | R1ASWL

Fixture Type: \_\_\_\_\_

Project: \_\_\_\_\_

Catalog#: \_\_\_\_\_

Location: \_\_\_\_\_

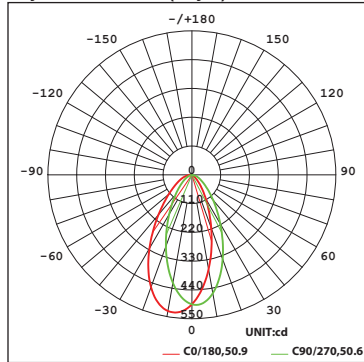
### PERFORMANCE DATA

#### Polar Candela Distribution Charts

Samples shown with a 11W trim fixture with a Black finished reflector set to 3000K.

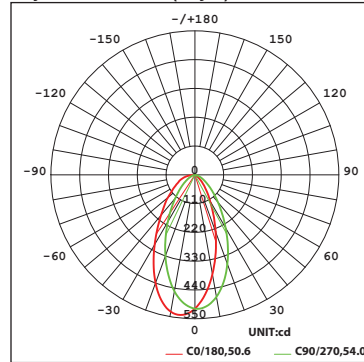
#### ROUND

Asymmetric Beam (Asym) - Trim

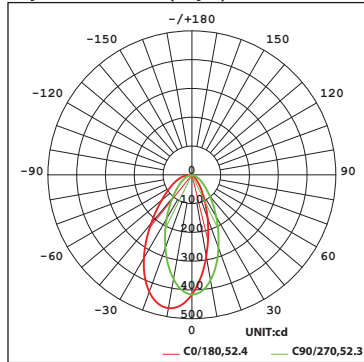


#### SQUARE

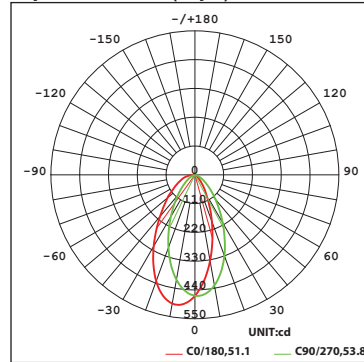
Asymmetric Beam (Asym) - Trim



Asymmetric Beam (Asym) - Trimless



Asymmetric Beam (Asym) - Trimless



# AETHER

## Atomic - Wall Wash

R1ARWT | R1ARWL | R1ASWT | R1ASWL

Fixture Type: \_\_\_\_\_  
 Project: \_\_\_\_\_  
 Catalog#: \_\_\_\_\_  
 Location: \_\_\_\_\_

### PERFORMANCE DATA

#### Unified Glare Rating (UGR) Table

UGR values shown are calculated at 3000K and 90 CRI. General performance of beam angles shown below.

Round Fixture	Angle	UGR Range
R1ARWT - Trim	Asym	≤19
R1ARWL - Trimless	Asym	≤22

Square Fixture	Angle	UGR Range
R1ASWT - Trim	Asym	≤21
R1ASWL - Trimless	Asym	≤21

#### Lumens and CBCP Multiplier Table

Use the below table to determine lumens and CBCP values for the combinations of power, color temperature, and CRI values.

Color Temperature			
2700K	3000K	3500K	4000K
0.93	1.00	1.07	1.14

# AETHER

## Atomic - Wall Wash

R1ARWT | R1ARWL | R1ASWT | R1ASWL

Fixture Type: \_\_\_\_\_

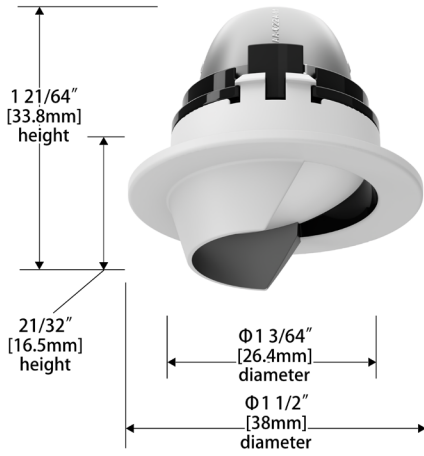
Project: \_\_\_\_\_

Catalog#: \_\_\_\_\_

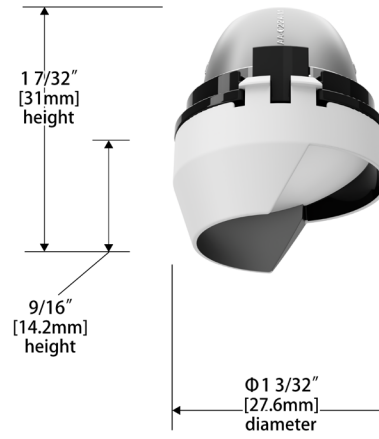
Location: \_\_\_\_\_

### DIMENSIONAL DIAGRAMS

#### Trim



#### Trimless



AETHER

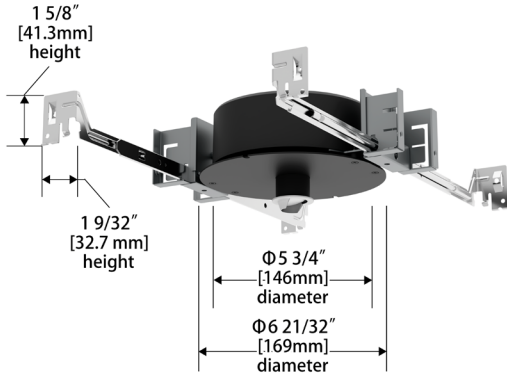
Atomic - Wall Wash

R1ARWT | R1ARWL | R1ASWT | R1ASWL

Fixture Type: \_\_\_\_\_  
 Project: \_\_\_\_\_  
 Catalog#: \_\_\_\_\_  
 Location: \_\_\_\_\_

**DIMENSIONAL DIAGRAMS**

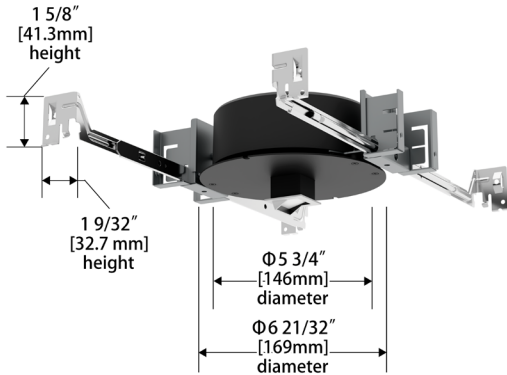
**New Construction - Round Trim**



**New Construction - Round Trimless**



**New Construction - Square Trim**



**New Construction - Square Trimless**

