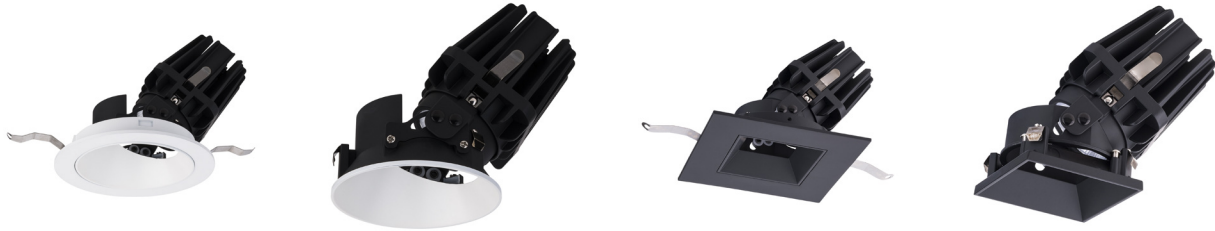


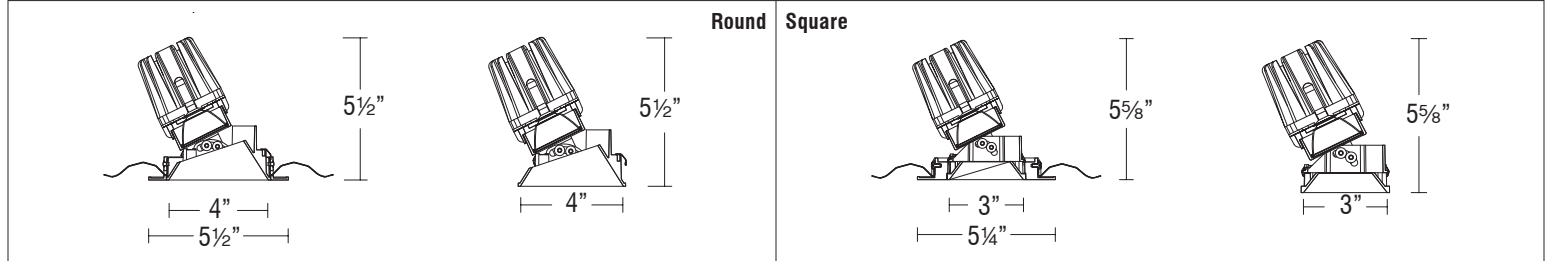
FQ Dim-To-Warm 4" Adjustable

R4FRAT | R4FRAL | R4FSAT | R4FSAL

Fixture Type: _____
 Project: _____
 Catalog#: _____
 Location: _____



LINE DRAWING



PRODUCT DESCRIPTION

The FQ Recessed series offers a complete line of high performance LED luminaires that provide outstanding functionality and quality. The FQ series features superlative glare control with 30° shielding, 45° vertical tilting, and uniform floor-to-ceiling wall washing. Multiple power level options and a full line of round and square, trimmed and trimless luminaires offer versatile solutions for various lighting applications. Easy to order, install, and service.

SPECIFICATIONS

Construction:	Durable die-cast construction
Mounting:	Heavy gauge retention clips support trim firmly Ceiling cut out (Round): Trim $\varnothing 4\frac{3}{4}"$ Trimless $\varnothing 4\frac{3}{4}"$ Ceiling cut out (Square): Trim $4\frac{3}{4}" \times 4\frac{3}{4}"$ Trimless $4\frac{3}{4}" \times 4\frac{3}{4}"$ Accommodates 1/2" - 1" ceiling thickness
Light Source:	High output 3-step Mac Adam Ellipse COB Rated life of 50,000 hours at L70
Input:	Universal 120-277V AC, 50/60 Hz
Dimming:	ELV, TRIAC, 0-10V: 100 - 1%
Maximum Delivered Intensity:	Up to 3,005 cd (Round Flood 30°, 2 Housing)
Maximum Delivered Output:	Up to 1,255 lm (Round Flood 30°, 2 Housing)
Operating Temperature:	-4°F to 104°F (-20°C to 40°C)
Standards:	ETL & cETL Wet location listed, Title 24 JA8 Compliant
Warranty:	5 year WAC Lighting guaranteed warranty

BEAM ANGLES



FINISHES



Model	Beam	Lumens Ref Output*	CBCP Ref Output*	Color Temp	CRI
R4FRAT Round Trim	F 30° Round Square	1255	3005	WD 3000K - 1800K	90
R4FRAL Round Trimless		910	2945		
R4FSAT Square Trim	W 50° Round Square	1170	1690		
R4FSAL Square Trimless		890	1740		

Lumens and CBCP are reference values for a trim fixture with 2 housing. Refer to Multiplier Table in Performance Data to determine other outputs.

FQ Dim-To-Warm
4" Adjustable

R4FRAT | R4FRAL | R4FSAT | R4FSAL

Fixture Type: _____
 Project: _____
 Catalog#: _____
 Location: _____

ORDERING INFORMATION

CONFIGURATION TABLE		
Model	Color Temperature & CRI	Reflector Finish
R4FRAT	WD - 3000K-1800K - 90	BK - BLACK
R4FRAL		DB - DARK BRONZE
R4FSAT		HZ - HAZE
R4FSAL		HZWT - HAZE/WHITE
		WT - WHITE

R4FRAT-WD-__

Example: R4FRAT-WD-WT

Flood beam (F - 42°) reflector comes pre-installed. All three reflector options (N-27°, F-40°, and W-50°) are included.

ACCESSORIES	
LENS-16-HCM	<i>Honeycomb Louver</i>
LENS-16P-CRL-BK	<i>Cross Louver</i>
LENS-16AMB	<i>Amber Lens</i>
LENS-16RED	<i>Red Lens</i>
LENS-16BLU	<i>Blue Lens</i>
LENS-16GRN	<i>Green Lens</i>
LENS-16SPR	<i>Spread Lens</i>
LENS-16BEL	<i>Beam Elongating Lens</i>

ORDERING NOTES

1. The "Haze/White" finish is only available on trimmed fixtures (R4FRAT, R4FSAT).
2. The "Haze" finish is only available on trimless fixtures (R4FRAL, R4FSAL)

FQ Dim-To-Warm 4" Adjustable

R4FRAT | R4FRAL | R4FSAT | R4FSAL

Fixture Type: _____
 Project: _____
 Catalog#: _____
 Location: _____

HOUSINGS				
	Model	Power	Rating	Emergency Backup*
New Construction Airtight Trimmed Round & Square	R4FBNT	1 13W	IC,SPCL	EM <i>Optional</i>
		2 19W	IC,SPCL	
New Construction Airtight Trimless Round	R4FRNL	1 13W	IC,SPCL	N/A
		2 19W	IC,SPCL	
New Construction Airtight Trimless Square	R4FSNL	1 13W	IC,SPCL	N/A
		2 19W	IC,SPCL	
New Construction Frame-In Trimmed Round & Square	R4FBFT	1 13W	Non-IC	EM <i>Optional</i>
		2 19W	Non-IC	
New Construction Frame-In Trimless Round	R4FRFL	1 13W	Non-IC	N/A
		2 19W	Non-IC	
New Construction Frame-In Trimless Square	R4FSFL	1 13W	Non-IC	N/A
		2 19W	Non-IC	
New Construction Frame-In Trimmed Round & Square	R4FBFT	1 13W	Non-IC	N/A
		2 19W	Non-IC	
New Construction Frame-In Trimless Round	R4FRFL	1 13W	Non-IC	N/A
		2 19W	Non-IC	
New Construction Frame-In Trimless Square	R4FSFL	1 13W	Non-IC	N/A
		2 19W	Non-IC	
Remodel Airtight	R4FBR2T	1 13W	IC	N/A

R4F _ _ _ _
 Example: R4FBNT-1 or R4FBNT-1-EM
 *EM option is not SPCL rated

FQ Dim-To-Warm

4" Adjustable

R4FRAT | R4FRAL | R4FSAT | R4FSAL

Fixture Type: _____

Project: _____

Catalog#: _____

Location: _____

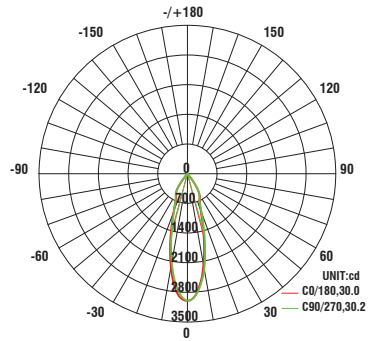
PERFORMANCE DATA

Polar Candela Distribution Charts

Samples shown from a trim fixture with 2 housing.

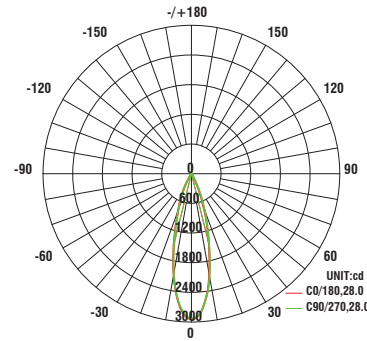
ROUND

Flood Beam: 30° Beam

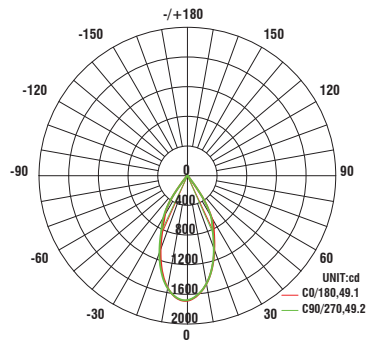


SQUARE

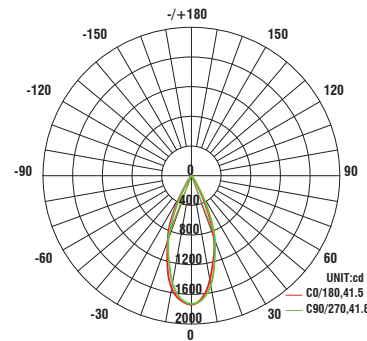
Flood Beam: 30° Beam



Wide Flood Beam: 50° Beam



Wide Flood Beam: 50° Beam



FQ Dim-To-Warm

4" Adjustable

R4FRAT | R4FRAL | R4FSAT | R4FSAL

Fixture Type: _____

Project: _____

Catalog#: _____

Location: _____

PERFORMANCE DATA

Unified Glare Rating (UGR) Table

UGR values shown are calculated for a fixture with 2 housing.

Round Fixture	Angle	UGR Range
Flood	30°	≤10
Wide Flood	50°	≤10

Square Fixture	Angle	UGR Range
Flood	30°	≤3
Wide Flood	50°	≤4

Lumens and CBCP Multiplier Table

Use the below table to determine lumens and CBCP values for the combinations of power, color temperature, and CRI values.

Multiplier		TRIM
HOUSING	2	1.00
	1	0.69