

VOLTA- MODEL: ADWT31

3" Round Narrow Recessed Wall Wash Downlight

WAC ARCHITECTURAL

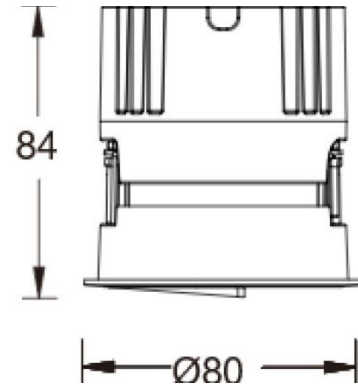
PROJECT:

TYPE:

Product Image



Line Drawing



Product Description

VOLTA Series LED Round Narrow Recessed Wall Washer Downlight with streamlined appearance. With precise wall wash reflector design, it ensures the ultimate anti-glare effect while washing the light out of the wall, and is mainly used in hotel and commercial indoor places.

Product Features

- Body Material: Aluminum alloy die-casting body
- Optical System: Wall Wash Reflector
- Finish: Electrostatic Powder coating
- Adjustable Angle: /
- Accessories/Brackets: /
- Certification: CCC
- IP Rating: IP20
- Insulation Level: Class II
- Operating Temperature: -20°C~40°C

Product Specifications

- Opening Dimensions: Ø75mm
- Ceiling Thickness: 1mm~15mm
- Shading Angle: /
- LED Type: COB
- Source Lm: 2700K: 7W 758lm; 10W 1080lm; 13W 1404lm; 3000K: 7W 800lm; 10W 1150lm; 13W 1495lm; 3500K: 7W 835lm; 10W 1195lm; 13W 1554lm; 4000K: 7W 850lm; 10W 1210lm; 13W 1573lm; 5000K: 7W 860lm; 10W 1220lm; 13W 1586lm;
- LED Lifetime: >50000h-L70 / B10-Ta25°C(LM-80/TM-21)
- CCT/CRI: 2700K/3000K/3500K/4000K/5000K, CRI≥90
- Input: 220V AC / 50Hz
- Dimming: Non-dimming / 0-10V / DALI
- Net Weight: About 0.4Kg/m without packing

VOLTA- MODEL: ADWT31

3" Round Narrow Recessed Wall Wash Downlight

WAC ARCHITECTURAL

PROJECT:

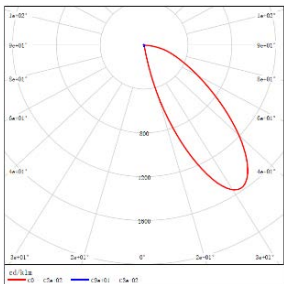
TYPE:

Order Model

Model	Size	Trim	LED	Driver	Beam	CCT	Reflector	Finish
ADWT Downlight Wallwasher T series	3 3"	1 Round Trim	LM07 COB 7W	E ON-OFF	W Wall Wash	27 2700K	B Black	WT White
			LM10 COB 10W	D 0-10V Dimming		30 3000K		BK Black
			LM13 COB 13W			35 3500K		
			LM13 COB 13W	A DALI N No Driver		40 4000K 50 5000K		

Example: ADWT31-LM10EW30BWT

LIGHT DISTRIBUTION@3000K LUMINAIRE DATA



MODEL: ADWT31-LM13EW30BWT

BEAM ANGLE: Wash

POWER: 15W

LUMENS: 645lm

CBCP: /

EFFICACY: 43lm/W

VOLTA- MODEL: ADWT41

4" Round Narrow Recessed Wall Wash Downlight

WAC ARCHITECTURAL

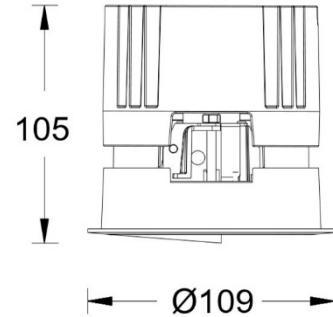
PROJECT:

TYPE:

Product Image



Line Drawing



Product Description

VOLTA Series LED Round Narrow Recessed Wall Washer Downlight with streamlined appearance. With precise wall wash reflector design, it ensures the ultimate anti-glare effect while washing the light out of the wall, and is mainly used in hotel and commercial indoor places.

Product Features

- Body Material: Aluminum alloy die-casting body
- Optical System: Wall Wash Reflector
- Finish: Electrostatic Powder coating
- Adjustable Angle: /
- Accessories/Brackets: /
- Certification: CCC
- IP Rating: IP20
- Insulation Level: Class II
- Operating Temperature: -20°C~40°C

Product Specifications

- Opening Dimensions: Ø100mm
- Ceiling Thickness: 1mm~20mm
- Shading Angle: /
- LED Type: COB
- Source Lm:
 - 2700K: 13W 1380lm; 18W 1860lm;
 - 3000K: 13W 1465lm; 18W 1975lm;
 - 3500K: 13W 1540lm; 18W 2070lm;
 - 4000K: 13W 1600lm; 18W 2155lm;
 - 5000K: 13W 1645lm; 18W 2220lm;
- LED Lifetime: >50000h-L70 / B10-Ta25°C(LM-80/TM-21)
- CCT/CRI: 2700K/3000K/3500K/4000K/5000K, CRI≥90
- Input: 220V AC / 50Hz
- Dimming: Non-dimming / 0-10V / DALI
- Net Weight: About 0.7Kg/m without packing

VOLTA- MODEL: ADWT41

WAC ARCHITECTURAL

4" Round Narrow Recessed Wall Wash Downlight

PROJECT:

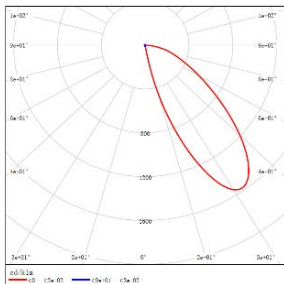
TYPE:

Order Model

Model	Size	Trim	LED	Driver	Beam	CCT	Reflector	Finish
ADWT Downlight Wallwasher T series	4 4"	1 Round Trim	LM13 COB 13W	E ON-OFF	W Wall Wash	27 2700K	B Black	WT White
			LM18 COB 18W	D 0-10V Dimming		30 3000K		BK Black
			LM18 COB 18W	A DALI		35 3500K		
				N No Driver		40 4000K		
					50 5000K			

Example: ADWT41-LM18EW30BWT

LIGHT DISTRIBUTION@3000K LUMINAIRE DATA



MODEL:	ADWT41-LM18EW30BWT
BEAM ANGLE:	Wash
POWER:	20W
LUMENS:	1079lm
CBCP:	/
EFFICACY:	54lm/W