

3" Square Recessed Adjustable Downlight

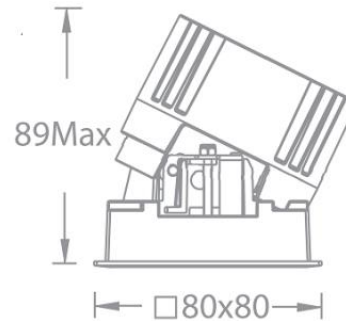
PROJECT:

TYPE:

Product Image



Line Drawing



Product Description

VOLTA series LED square narrow-edge recessed angle downlights have a streamlined appearance and adopt precise lens and black mirror reflector designs to ensure that the light is emitted while still achieving the ultimate anti-glare effect. The light source cavity adopts a sealed design, which can minimize the impact of humid environment on its performance, and the reflector or optical accessories can be freely disassembled and replaced, which greatly improves on-site convenience and is mainly suitable for hotels and commercial indoor places.

Product Features

- Body Material: Aluminum alloy die-casting
- Optical System: Lens+ SUBOROSA optical system
- Finish: Static electricity powder coating
- Adjustable Angle: /
- Accessories: As attached
- Certification: CCC
- IP Rating: IP20 (Light source cavity IP44)
- Insulation Level: Class II
- Operating Temperature: -20°C~40°C

Product Specifications

- Cut-out: 75*75mm
- Ceiling Thickness: 1mm~15mm
- Shielding Angle: 30°
- LED Type: COB
- Source Lm:
 - 2700K: 7W 1065lm; 10W 1425lm; 13W 1855lm
 - 3000K: 7W 1120lm; 10W 1500lm; 13W 1950lm
 - 3500K: 7W 1155lm; 10W 1545lm; 13W 2010lm
 - 4000K: 7W 1200lm; 10W 1605lm; 13W 2085lm
 - 5000K: 7W 1230lm; 10W 1650lm; 13W 2145lm
- LED Lifetime: >50000h-L70 /B10-Ta25°C(LM-80/TM-21)
 - CCT/CRI: 2700K/3000K/3500K/4000K/5000K, CRI≥90
 - Input: 220V AC / 50Hz
 - Dimming: Non dimming/0-10V/DALI
 - Net Weight: 0.35Kg without packing

Order Model

Model	Size	Trim	LED	Driver	Beam	CCT	Reflector	Finish
ADDT Downlight T series	3 3"	5 Square Trim	LM07 COB 7W	E On-Off	1 15°	27 2700K	B Black	WT White
			LM10 COB 10W	D 0-10V	2 24°	30 3000K	S Specular	BK Black
			LM13 COB 13W	A DALI	3 36°	35 3500K		
				N No Driver	5 50°	40 4000K		
					50 5000K			

Example: ADDT35-LM10E230SWT



wacarchitectural.com | WAC Architectural, a WAC GROUP brand.

3" Square Recessed Adjustable Downlight

PROJECT:

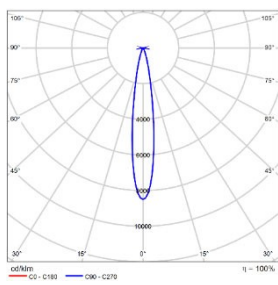
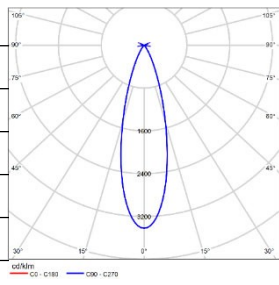
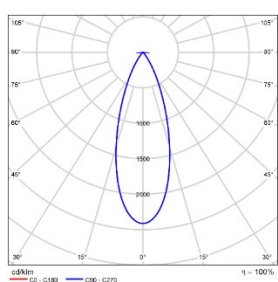
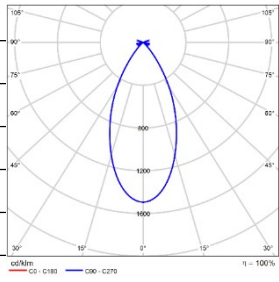
TYPE:

Accessory

<p>ALENS-DDT35-BEL Striped glass lenses</p> 	<p>ALENS-DDT35-HCL Edge honeycomb grille</p> 
--	---

Attention: At most one optical accessory can be added, and it is not included in the factory. It needs to be ordered separately.

LIGHT DISTRIBUTION@3000K LUMINAIRE DATA

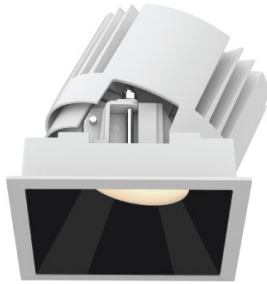
	<p>MODEL : ADDT35-LM10E130SWT ANGLE : 15° POWER : 10W LUMENS: 980lm CBCP: 7141cd EFFICACY: 98lm/W</p>		<p>MODEL: ADDT35-LM10E230SWT ANGLE: 24° POWER: 10W LUMENS: 935lm CBCP: 4034cd EFFICACY: 94lm/W</p>
	<p>MODEL : ADDT35-LM10E330SWT ANGLE: 36° POWER : 10W LUMENS: 1025lm CBCP: 2390cd EFFICACY: 102lm/W</p>		<p>MODEL: ADDT35-LM10E530SWT ANGLE: 50° POWER: 10W LUMENS: 877lm CBCP: 1256cd EFFICACY: 88lm/W</p>

4" Square Recessed Adjustable Downlight

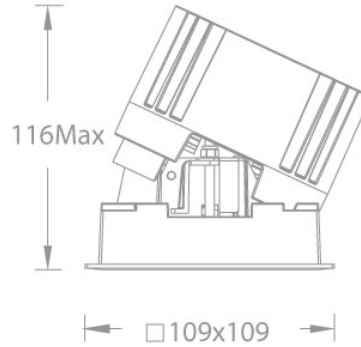
PROJECT:

TYPE:

Product Image



Line Drawing



Product Description

VOLTA series LED square narrow-edge recessed angle downlights have a streamlined appearance and adopt precise lens and black mirror reflector designs to ensure that the light is emitted while still achieving the ultimate anti-glare effect. The light source cavity adopts a sealed design, which can minimize the impact of humid environment on its performance, and the reflector or optical accessories can be freely disassembled and replaced, which greatly improves on-site convenience and is mainly suitable for hotels and commercial indoor places.

Product Features

- Body Material: Aluminum alloy die-casting
- Optical System: Lens+ Reflector
- Finish: Static electricity powder coating
- Adjustable Angle: Vertical 0-25°
- Accessories: As attached
- Certification: CCC
- IP Rating: IP20
- Insulation Level: Class II
- Operating Temperature: -20°C~40°C

Product Specifications

- Cut-out: 100*100mm
- Ceiling Thickness: 1mm~20mm
- Shielding Angle: 30°
- LED Type: COB
- Source Lm:
 - 2700K: 13W 1855lm; 18W 2565lm
 - 3000K: 13W 1950lm; 18W 2700lm
 - 3500K: 13W 2010lm; 18W 2780lm
 - 4000K: 13W 2090lm; 18W 2890lm
 - 5000K: 13W 2145lm; 18W 2970lm
- LED Lifetime: >50000h-L70 /B10-Ta25°C(LM-80/TM-21)
 - CCT/CRI: 2700K/3000K/3500K/4000K/5000K, CRI≥90
 - Input: 220V AC / 50Hz
 - Dimming: No dimming/0-10V/DALI
- Net Weight: 0.7Kg without packing

4" Square Recessed Adjustable Downlight

PROJECT:



TYPE:

Order model

Model	Size	Trim	LED	Driver	Beam	CCT	Reflector	Finish
ADDT Downlight T series	4 4"	5 Square Trim	LM13 COB 13W	E ON-OFF	N 12°	27 2700K	B Black S Specular	WT White BK Black
			LM18 COB 18W	D 0-10V	1 18°	30 3000K		
			LM18 COB 18W	N No Driver	2 24°	35 3500K		
				A DALI	3 36°	40 4000K		
					5 55°	50 5000K		

Example: ADDT45-LM18E230SWT

Accessory

<p>ALENS-DDT45-BEL Striped glass lenses</p> 	<p>ALENS-DDT45-HCL Borderless honeycomb grille</p> 
--	---

Attention: At most one optical accessory can be added, and it is not included in the factory. It needs to be ordered separately.

4" Square Recessed Adjustable Downlight

PROJECT:

TYPE:

LIGHT DISTRIBUTION@3000K LUMINAIRE DATA

	<p>MODEL : ADDT45-LM18EN30SWT</p> <p>ANGLE : 12°</p> <p>POWER : 18W</p> <p>LUMENS: 1679lm</p> <p>CBCP: 19295cd</p> <p>EFFICACY: 93lm/W</p>		<p>MODEL: ADDT45-LM18E130SWT</p> <p>ANGLE: 18°</p> <p>POWER: 18W</p> <p>LUMENS: 2389lm</p> <p>CBCP: 14373cd</p> <p>EFFICACY: 133lm/W</p>
	<p>MODEL : ADDT45-LM18E230SWT</p> <p>ANGLE : 24°</p> <p>POWER : 18W</p> <p>LUMENS: 2302lm</p> <p>CBCP: 9023cd</p> <p>EFFICACY: 128lm/W</p>		<p>MODEL: ADDT45-LM18E330SWT</p> <p>ANGLE : 36°</p> <p>POWER: 18W</p> <p>LUMENS: 2176lm</p> <p>CBCP: 5323cd</p> <p>EFFICACY: 121lm/W</p>
	<p>MODEL : ADDT45-LM18E530SWT</p> <p>ANGLE : 55°</p> <p>POWER : 18W</p> <p>LUMENS: 2025lm</p> <p>CBCP: 2781cd</p> <p>EFFICACY: 112m/W</p>		