

Multi Stealth

Wall Wash

R1GWT | R1GWL

Fixture Type: _____
 Project: _____
 Catalog#: _____
 Location: _____



PRODUCT DESCRIPTION

Multi Stealth Recessed features a quiet aperture for a nearly glare-free environment. Its linear multi-cell form factor features a 1.5" aperture, with availability in up to 5 lengths. This series offers a downlight with 40° visual cutoff, an adjustable option with 35° bidirectional tilt, and a wall washer with specialized optics for even wall illumination. Trimmed and trimless options allow flexibility when integrating into building architecture.

SPECIFICATIONS

Construction: Extruded aluminum construction with die-cast end caps

Mounting: Heavy gauge retention clips support trim firmly. Trimless body is supported by tool-less push mechanism. Safety cabling standard from housing. Ceiling cutout information found in Performance Data. Accommodates ½" - 1½" ceiling thickness.

Light Source: High output 3-step Mac Adam Ellipse SMD LED
 Rated life of 50,000 hours at L70

Input: Universal 120-277V AC, 50/60 Hz

Dimming: 0-10V: 100-1%
 Electronic Low Voltage (ELV), TRIAC: 100-5%

Maximum Delivered Output: Up to 2,290 lm (12 Cell, Asym, 4000K, CRI 90)

Standards: ETL & cETL Damp location listed, Energy Star® 2.1
 Title 24 JA8 Compliant

Warranty: 5 year WAC Lighting guaranteed warranty

BEAM ANGLES



FINISHES



Black Black
BKBK



Black White
BKWT



White Black
WTBK



White White
WTWT

Model	Size	Beam	*Lumens	*CBCP
R1GWT Trim R1GWL Trimless	04 4 Cell	A Asym	670	N/A
	08 8 Cell	A Asym	1390	N/A
	12 12 Cell	A Asym	2140	N/A

*Lumens and CBCP are reference values for 3000K Color Temperature and 90 CRI. Refer to Multiplier Table in Performance Data to determine other outputs. Line drawings and measurements for each size and trim are available in Performance Data.

Multi Stealth

Wall Wash

R1GWT | R1GWL

Fixture Type: _____

Project: _____

Catalog#: _____

Location: _____

ORDERING INFORMATION

CONFIGURATION TABLE					
Model & Power	Size	Beam	Color Temperature & CRI	Reflector Finish	Trim Finish
R1GWL (Trimless)	04 - 4 CELL	A: Asym	927 - 2700K - 90	BK - BLACK WT - WHITE	BK - BLACK WT - WHITE
R1GWT (Trim)	08 - 8 CELL		930 - 3000K - 90		
	12 - 12 CELL		935 - 3500K - 90		
			940 - 4000K - 90		

R1GW ___ - ___ - ___ Example: R1GWL08-N940-BK
R1GWT08-N940-BKBK

HOUSINGS (Required)					
Model	Trim	Size	Wattage	Rating	
New Construction Airtight	T <i>Trim</i> L <i>Trimless</i>	04 4 CELL	14W	IC	
		08 8 CELL	27W	IC	
		12 12 CELL	38W	Non-IC	
Remodel Trim Fixtures Only	T <i>Trim</i>	04 4 CELL	14W	Non-IC	
		08 8 CELL	27W	Non-IC	
		12 12 CELL	38W	Non-IC	

ORDERING NOTES

- Trim fixtures (R1GWT) must be ordered with a trim finish.
- Remodel housings (R1GRT) are only compatible with trim fixtures (R1GWT).

Multi Stealth

Wall Wash

R1GWT | R1GWL

Fixture Type: _____

Project: _____

Catalog#: _____

Location: _____

FEATURES

<p>Optics:</p> <ul style="list-style-type: none"> • Fixture features 1.5" apertures with glare free capabilities due to a 40° visual cutoff 	<p>Construction:</p> <ul style="list-style-type: none"> • Extruded aluminum body with die-cast caps on each end of the fixture
<p>LED:</p> <ul style="list-style-type: none"> • High output discrete LED with a 3-step Mac Adam ellipse • Rated operational life of 50,000 hours at L70 (LED maintains 70% of its initial delivered lumens when brand new for 50,000 hours of use.) 	<p>Trim and Reflector:</p> <ul style="list-style-type: none"> • Seven beam angles are available: Ultra Narrow, Very Narrow, Spot, Narrow Flood, Medium Flood, Flood, and an Elongating 14° x 47°
<p>Electrical:</p> <ul style="list-style-type: none"> • Input power is universal 120-277VAC, 50/60 Hz • Available in 14W, 27W, and 38W housings 	<p>Installation:</p> <ul style="list-style-type: none"> • 4, 6, and 8 cell fixtures are supplied with two mounting spring clips at each end of the fixture body
<p>Dimming:</p> <ul style="list-style-type: none"> • Electronic low voltage (ELV), TRIAC, and 0-10V dimming available • ELV and TRIAC dimming is capable of a range of 100 - 5% • 0-10V dimming is capable of a range of 100 - 1% 	<p>Warranty:</p> <ul style="list-style-type: none"> • WAC Architectural limited warranty up to 5 years • Full warranty found at: wacighting.com/warranty
<p>Notes:</p> <ul style="list-style-type: none"> • The White and Black finishes for the body are electrostatically powder coated • The White and Black trim finishes are injection molded polycarbonate bevels 	

Multi Stealth

Wall Wash

R1GWT | R1GWL

Fixture Type: _____

Project: _____

Catalog#: _____

Location: _____

PERFORMANCE DATA

Size	Trim
04 4 Cells	R1GWT
08 8 Cells	
12 12 Cells	

Multi Stealth

Wall Wash

R1GWT | R1GWL

Fixture Type: _____

Project: _____

Catalog#: _____

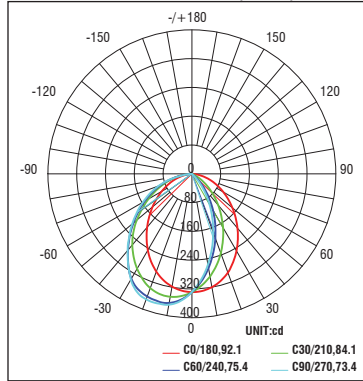
Location: _____

PERFORMANCE DATA

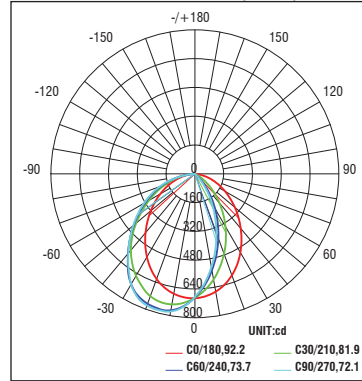
Polar Candela Distribution Charts

Samples shown with a Black finished fixture set to 3000K and 90 CRI.

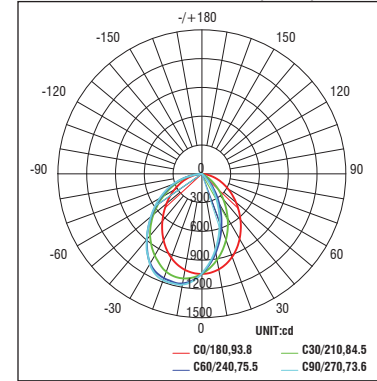
4 Cells: Asymmetric Beam (Asym)



8 Cells: Asymmetric Beam (Asym)



12 Cells: Asymmetric Beam (Asym)



Lumens and CBCP Multiplier Table

Use the below table to determine lumens and CBCP values for the combinations of power, color temperature, and CRI values.

Color Temperature			
927	930	935	940
0.95	1.00	1.05	1.07

Multi Stealth

Wall Wash

R1GWT | R1GWL

Fixture Type: _____

Project: _____

Catalog#: _____

Location: _____

PERFORMANCE DATA

Unified Glare Rating (UGR) Table

General performance of a fixture set to 3000K and 90 CRI shown below.

Beam	Size	UGR Range
A - Asym	04 4 CELL	≤24
	08 8 CELL	≤27
	12 12 CELL	≤28

Multi Stealth

Wall Wash

R1GWT | R1GWL

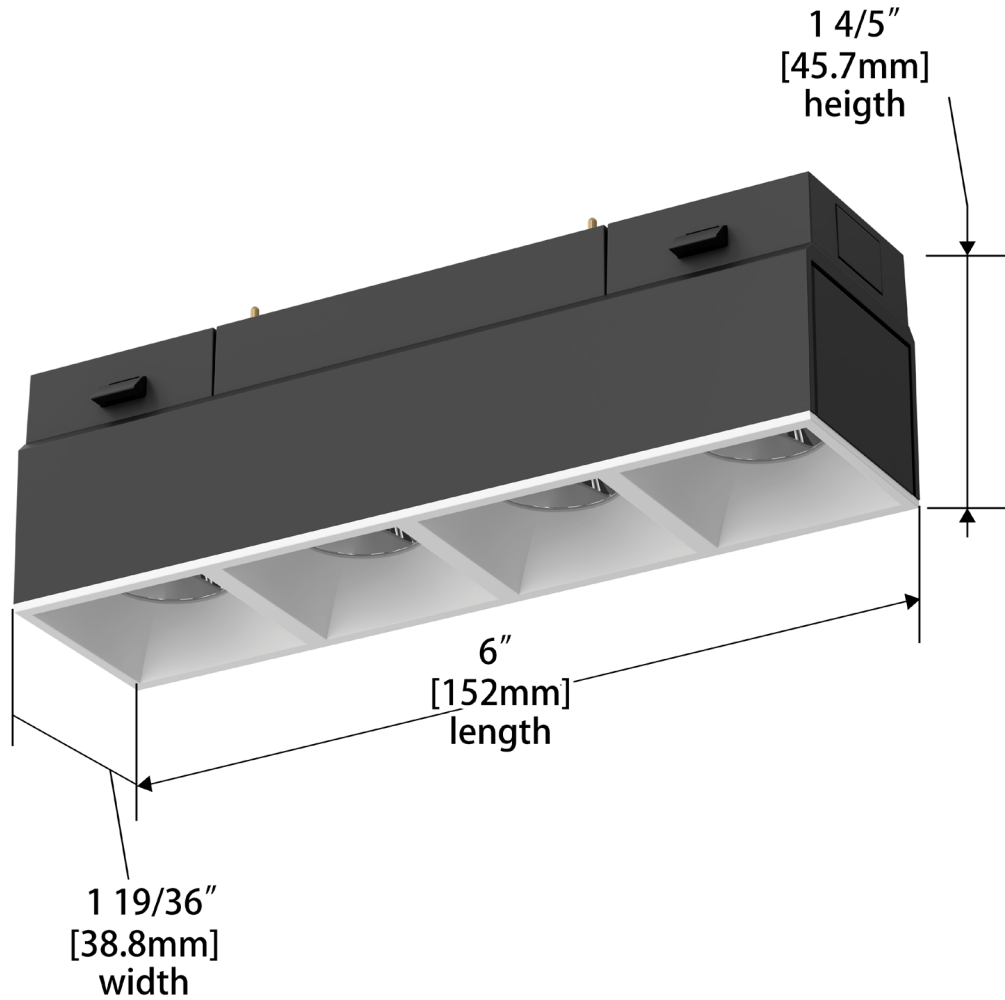
Fixture Type: _____

Project: _____

Catalog#: _____

Location: _____

DIMENSIONAL DIAGRAMS



Multi Stealth

Wall Wash

R1GWT | R1GWL

Fixture Type: _____

Project: _____

Catalog#: _____

Location: _____

WIRING DIAGRAMS

