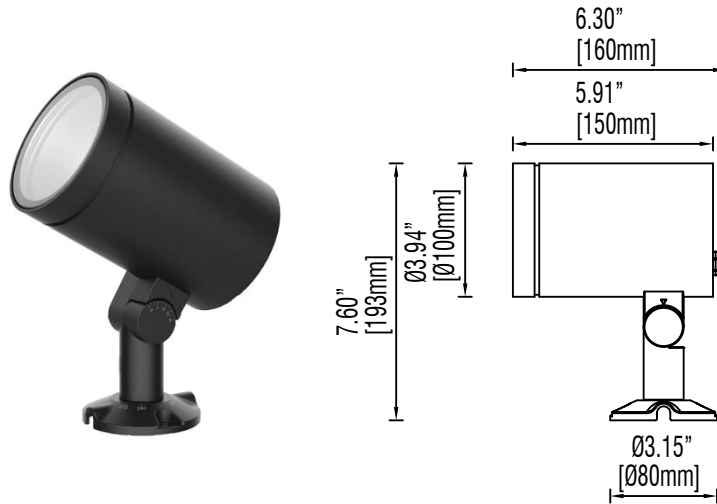


Ring Static White RAL4 (32W)

Fixture Type: _____
 Project: _____
 Catalog#: _____
 Location: _____



PRODUCT DESCRIPTION

The Ring series floodlights are professional LED luminaires designed by WAC for high-end outdoor lighting applications. The compact fixture body features efficient heat dissipation, helping to extend the lifespan of the LED. Its clean design and high-performance optical output enhance the surrounding environment. The Ring series is available in multiple sizes and incorporates the latest LED technology, allowing precise adjustment in both vertical and horizontal directions. It is suitable for projection lighting in areas such as building facades, landscapes, sculptures, and other architectural features.

SPECIFICATIONS

Construction:	Durable aluminum alloy lamp body
Mounting:	Outdoor installation
Light Source:	High output 3-step Mac Adam Ellipse COB Rated life of 50,000 hours at L70
Input:	Universal 120-277V AC, 50/60 Hz
Power:	32W
Dimming:	0-10V, DMX512-A with RDM
Maximum Delivered Intensity:	Up to 24,653 cd (Spot 17°, 4000K)
Maximum Delivered Output:	Up to 3,330 lm (Spot 17°, 4000K)
Operating Temperature:	-4°F to 122°F (-20°C to 50°C)
Standards:	UL & cUL Wet location listed
Warranty:	5 year WAC Lighting guaranteed warranty

BEAM ANGLES



FINISHES



Model	Beam	Lumens Ref Output*	CBCP	Efficacy (lm/W)	Color Temp
RAL4 Ø100mm Ø4"	S 17°	2,973	22,012	79	927-2700K
	N 23°	2,937	15,467	79	930-3000K
	M 33°	2,870	9,412	77	940-4000K

*Lumens and CBCP are reference values for 3000K Color Temperature. Refer to Multiplier Table in Performance Data to determine other outputs.

Ring

Static White

RAL4 (32W)

Fixture Type: _____

Project: _____

Catalog#: _____

Location: _____

ORDERING INFORMATION

CONFIGURATION TABLE				
Model & Power	Dimming	Beam Angle	Color Temperature & CRI	Housing Finish
RAL4 (32W)	L - 0-10V	S - Spot	927 - 2700K - 90	BK - BLACK
	D - DMX512-A	N - Narrow Flood	930 - 3000K - 90	
		M - Medium Flood	940 - 4000K - 90	

RAL4-32_ - ____ -BK

Example: RAL4-32D-M930-BK

ACCESSORIES	
RAL4-SHR-BK	<i>Ring 4" Shroud - Black</i>
RAL4-SNOOT-BK	<i>Ring 4" Snoot - Black</i>

Fixture Type: _____

Project: _____

Catalog#: _____

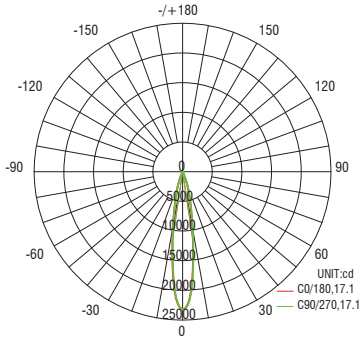
Location: _____

PERFORMANCE DATA

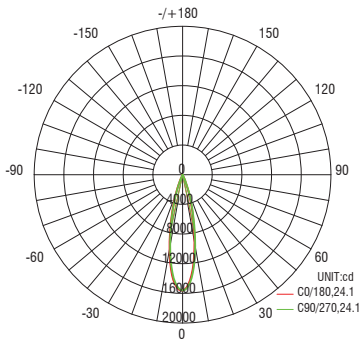
Polar Candela Distribution Charts

Samples shown from a fixture set to 3000K.

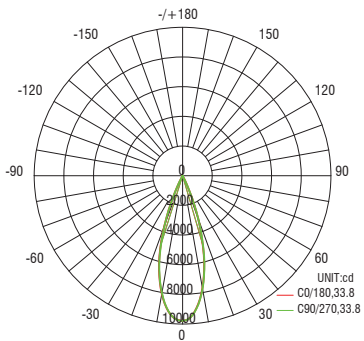
S - Spot Beam 17°



N - Narrow Flood Beam 23°



M - Medium Flood Beam 33°



Ring
Static White
RAL4 (32W)

Fixture Type: _____
 Project: _____
 Catalog#: _____
 Location: _____

PERFORMANCE DATA

Unified Glare Rating (UGR) Table

Samples shown from a fixture set to 3000K. General performance of other beam angles shown below.

Fixture	Angle	UGR Range
Spot	17°	≤4
Narrow Flood	23°	≤5
Medium Flood	33°	≤7

Lumens and CBCP Multiplier Table

Use the below table to determine lumens and CBCP values for the combinations of power, color temperature, and CRI values.

Color Temperature				
2700K	3000K	3500K	4000K	5000K
0.96	1.00	1.04	1.07	1.12