

## Installation Precautions:

1. Please read the instructions carefully before installing;
2. A qualified electrician must install fixture only;
3. Proper drainage is required to prevent the fixture from soaking in water for a long time;
4. Turn off power at main switch before installing or maintaining system;
5. Retain these instructions for future maintenance reference.

## Light Installation and Wiring:

1. Installing pre-embedded sleeve (figure 1) :

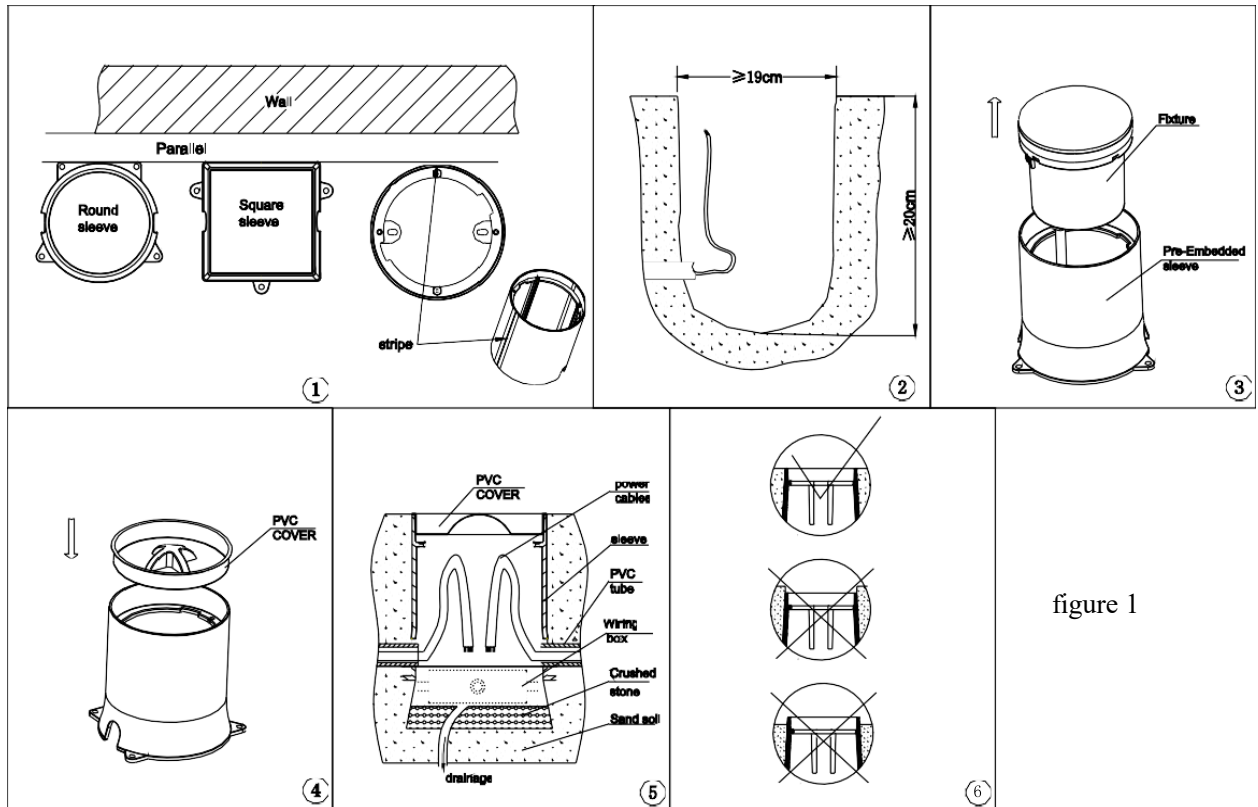


figure 1

2. Installing accessories (Figure 2), Skip to Step 3 if there is no accessories;

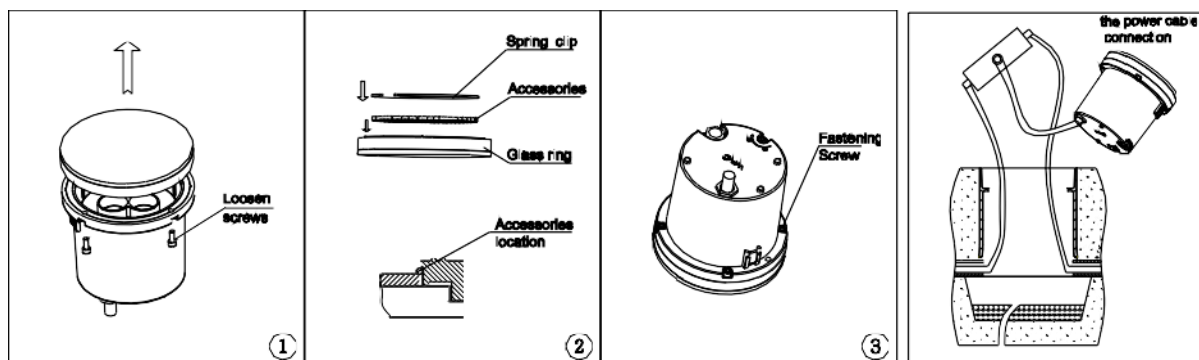


figure 2

figure 3

3. Adjusting fixture aiming angle (figure 4);
4. Assembling fixture into pre-embedded sleeve (figure 5);

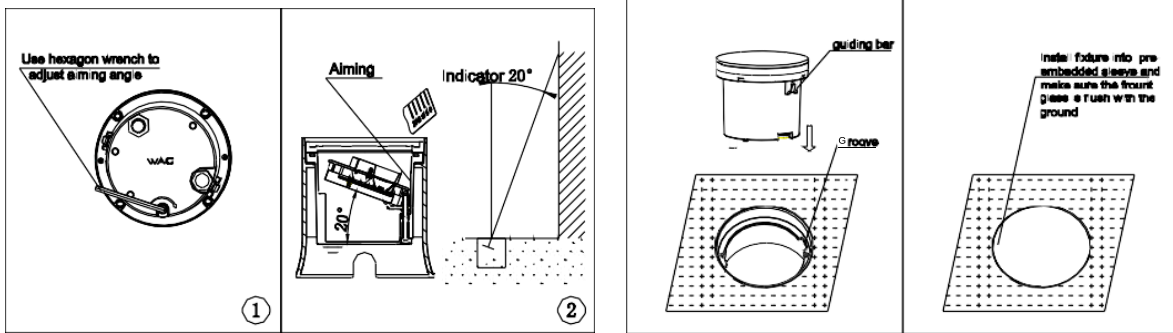
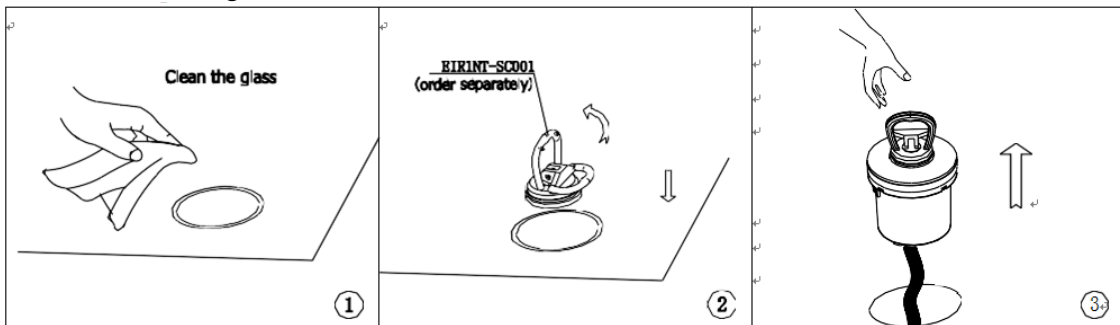


figure 4

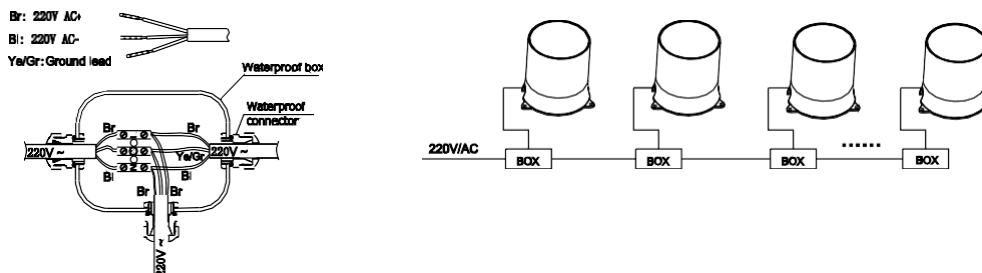
figure 5

## 5. Fixture cleaning & maintenance:

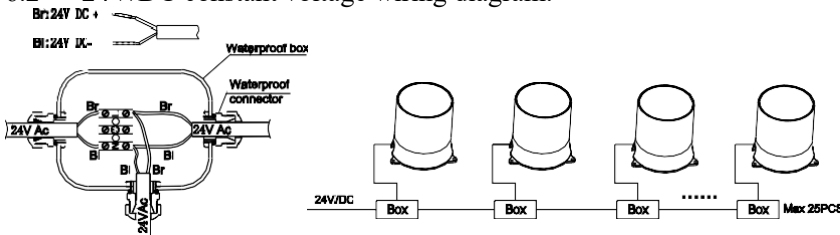


## 6. Fixture external wiring:

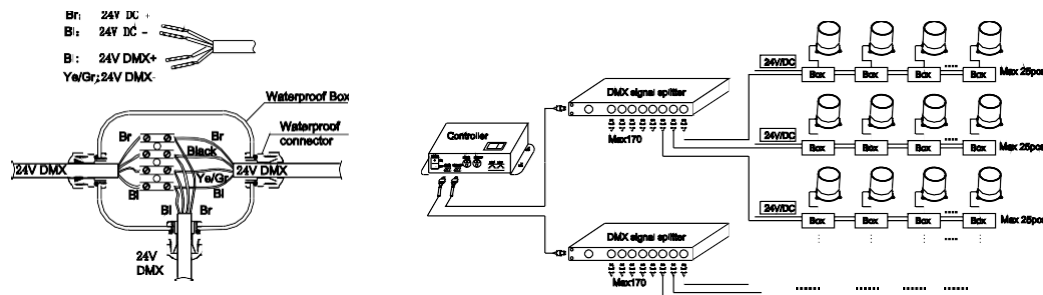
### 6.1 220V/AC Wiring Diagram: need to ensure proper waterproof connections:



### 6.2 24V/DC constant voltage wiring diagram:



### 6.3 24V/DC constant voltage DMX512 wiring diagram:



## Installation Precautions:

1. Please read the instructions carefully before installing;
2. A qualified electrician must install fixture only;
3. Proper drainage is required to prevent the fixture from soaking in water for a long time;
4. Turn off power at main switch before installing or maintaining system;
5. Retain these instructions for future maintenance reference.

## Light Installation and Wiring:

1. Installing pre-embedded sleeve (figure 1) :

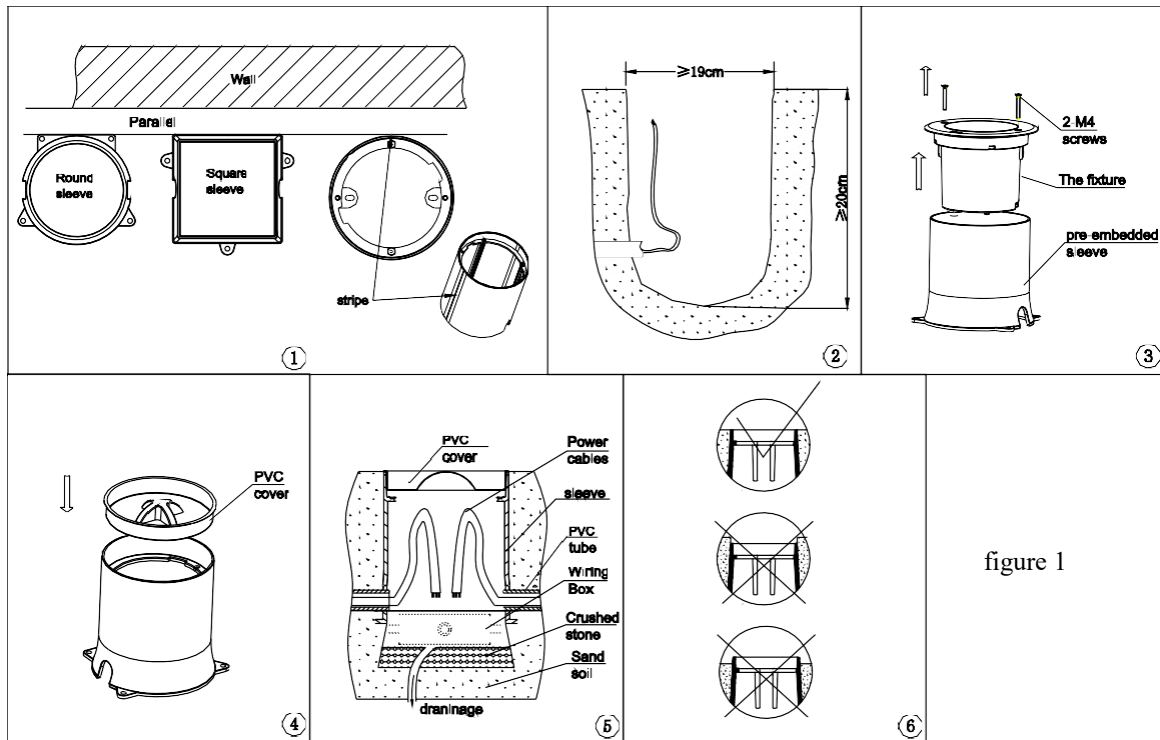


figure 1

2. Installing accessories (Figure 2), Skip to Step 3 if there is no accessories;

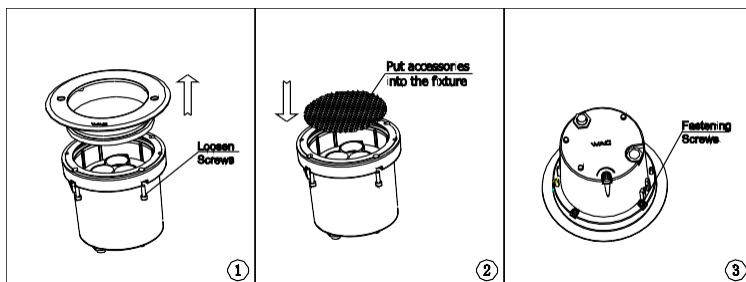


figure 2

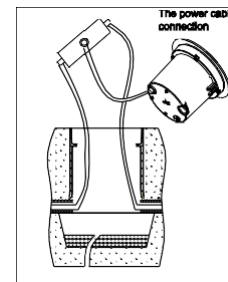


figure 3

3. Adjusting fixture aiming angle (figure 4);
4. Assembling fixture into pre-embedded sleeve (figure 5);

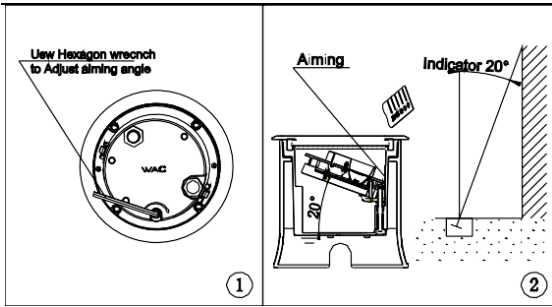


figure 4

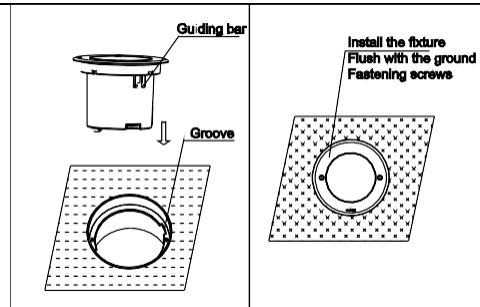
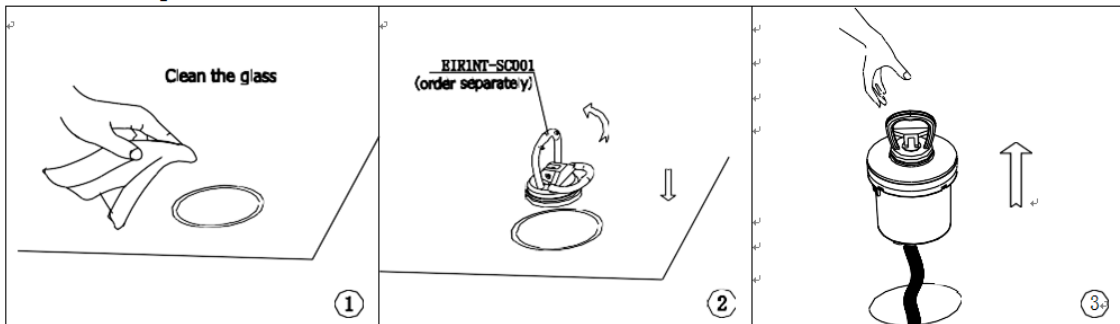


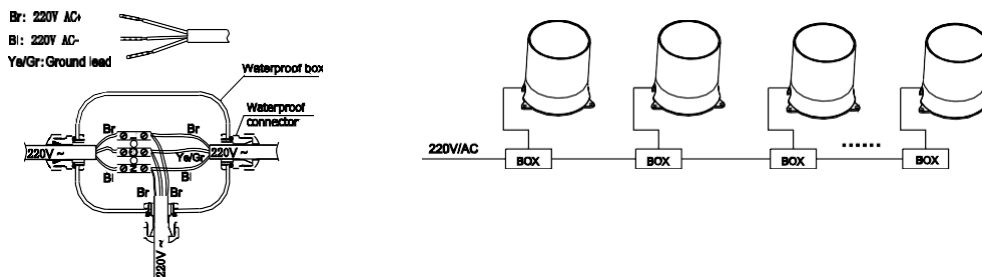
figure 5

## 5. Fixture cleaning & maintenance:

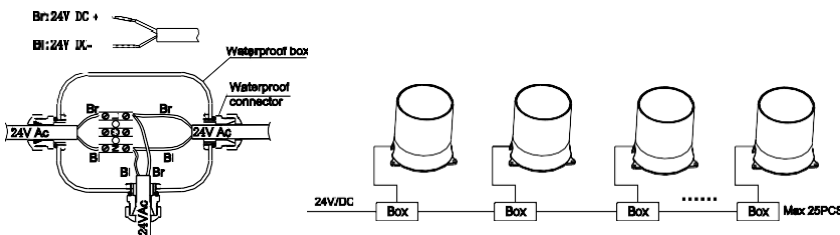


## 6. Fixture external wiring:

### 6.1 220V/AC Wiring Diagram: need to ensure proper waterproof connections:



### 6.2 24V/DC constant voltage wiring diagram :



### 6.3 24V/DC constant voltage DMX512 wiring diagram:

