

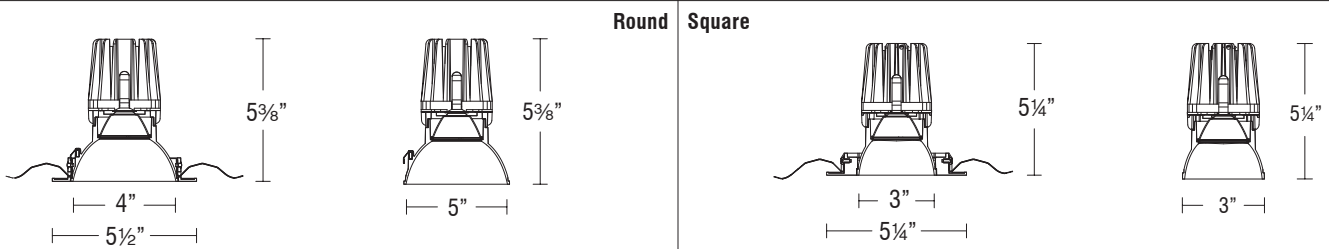
## FQ Dim-To-Warm 4" Downlight

R4FRDT | R4FRDL | R4FSDT | R4FSDL

Fixture Type: \_\_\_\_\_  
 Project: \_\_\_\_\_  
 Catalog#: \_\_\_\_\_  
 Location: \_\_\_\_\_



### LINE DRAWING



### PRODUCT DESCRIPTION

The FQ Recessed series offers a complete line of high performance LED luminaires that provide outstanding functionality and quality. The FQ series features superlative glare control with 30° shielding, 45° vertical tilting, and uniform floor-to-ceiling wall washing. Multiple power level options and a full line of round and square, trimmed and trimless luminaires offer versatile solutions for various lighting applications. Easy to order, install, and service.

### SPECIFICATIONS

<b>Construction:</b>	Durable die-cast construction
<b>Mounting:</b>	Heavy gauge retention clips support trim firmly Ceiling cut out (Round): Trim $\varnothing 4\frac{3}{4}$ " $\bigcirc$ Trimless $\varnothing 4\frac{3}{4}$ " $\bigcirc$ Ceiling cut out (Square): Trim $4\frac{3}{4}$ " x $4\frac{3}{4}$ " $\square$ Trimless $4\frac{3}{4}$ " x $4\frac{3}{4}$ " $\square$ Accommodates $\frac{1}{2}$ " - 1" ceiling thickness
<b>Light Source:</b>	High output 3-step Mac Adam Ellipse COB Rated life of 50,000 hours at L70
<b>Input:</b>	Universal 120-277V AC, 50/60 Hz
<b>Dimming:</b>	ELV, TRIAC, 0-10V: 100 - 1%
<b>Maximum Delivered Intensity:</b>	Up to 3,180 cd (Round Flood 30°, 2 Housing)
<b>Maximum Delivered Output:</b>	Up to 1,300 lm (Round Flood 30°, 2 Housing)
<b>Operating Temperature:</b>	-4°F to 104°F (-20°C to 40°C)
<b>Standards:</b>	ETL & cETL Wet location listed, Title 24 JA8 Compliant
<b>Warranty:</b>	5 year WAC Lighting guaranteed warranty

### BEAM ANGLES



### FINISHES



Model	Beam	Lumens Ref Output*	CBCP	Color Temp	CRI
R4FRDT Round Trim	F 30°	Round 1300	3180	WD 3000K - 1800K	90
R4FRDL Round Trimless		Square 1270	3100		
R4FSDT Square Trim	W 50°	Round 1270	1910		
R4FSDL Square Trimless		Square 1210	1825		

Lumens and CBCP are reference values for a trim fixture with 2 housing. Refer to Multiplier Table in Performance Data to determine other outputs.

FQ Dim-To-Warm  
4" Downlight

R4FRDT | R4FRDL | R4FSDT | R4FSDL

Fixture Type: \_\_\_\_\_  
Project: \_\_\_\_\_  
Catalog#: \_\_\_\_\_  
Location: \_\_\_\_\_

**ORDERING INFORMATION**

CONFIGURATION TABLE		
Model	Color Temperature & CRI	Reflector Finish
<b>R4FRDT</b>	<b>WD - 3000K-1800K - 90</b>	<b>BK - BLACK</b>
<b>R4FRDL</b>		<b>DB - DARK BRONZE</b>
<b>R4FSDT</b>		<b>HZ - HAZE</b>
<b>R4FSDL</b>		<b>HZWT - HAZE/WHITE</b> <b>WT - WHITE</b>

**R4FRDT-WD-\_\_**

Example: R4FRDT-WD-WT

Flood beam (F - 30°) reflector comes pre-installed. The Wide Flood (W - 50°) reflector is included.

ACCESSORIES	
LENS-16-HCM	<i>Honeycomb Louver</i>
LENS-16P-CRL-BK	<i>Cross Louver</i>
LENS-16AMB	<i>Amber Lens</i>
LENS-16RED	<i>Red Lens</i>
LENS-16BLU	<i>Blue Lens</i>
LENS-16GRN	<i>Green Lens</i>
LENS-16SPR	<i>Spread Lens</i>
LENS-16BEL	<i>Beam Elongating Lens</i>

ORDERING NOTES
1. The "Haze/White" finish is only available on trimmed fixtures (R4FRDT, R4FSDT).
2. The "Haze" finish is only available on trimless fixtures (R4FRDL, R4FSDL).

## FQ Dim-To-Warm 4" Downlight

R4FRDT | R4FRDL | R4FSDT | R4FSDL

Fixture Type: \_\_\_\_\_  
 Project: \_\_\_\_\_  
 Catalog#: \_\_\_\_\_  
 Location: \_\_\_\_\_

HOUSINGS				
	Model	Power	Rating	Emergency Backup*
New Construction Airtight Trimmed Round & Square	<b>R4FBNT</b>	1 13W	IC,SPCL	<b>EM</b> <i>Optional</i>
		2 19W	IC,SPCL	
New Construction Airtight Trimless Round	<b>R4FRNL</b>	1 13W	IC,SPCL	N/A
		2 19W	IC,SPCL	
New Construction Airtight Trimless Square	<b>R4FSNL</b>	1 13W	IC,SPCL	N/A
		2 19W	IC,SPCL	
New Construction Frame-In Trimmed Round & Square	<b>R4FBFT</b>	1 13W	Non-IC	<b>EM</b> <i>Optional</i>
		2 19W	Non-IC	
New Construction Frame-In Trimless Round	<b>R4FRFL</b>	1 13W	Non-IC	N/A
		2 19W	Non-IC	
New Construction Frame-In Trimless Square	<b>R4FSFL</b>	1 13W	Non-IC	N/A
		2 19W	Non-IC	
New Construction Frame-In Trimmed Round & Square	<b>R4FBFT</b>	1 13W	Non-IC	N/A
		2 19W	Non-IC	
New Construction Frame-In Trimless Round	<b>R4FRFL</b>	1 13W	Non-IC	N/A
		2 19W	Non-IC	
New Construction Frame-In Trimless Square	<b>R4FSFL</b>	1 13W	Non-IC	N/A
		2 19W	Non-IC	
Remodel Airtight	<b>R4FBR2T</b>	1 13W	IC	N/A

**R4F** \_ \_ \_  
 Example: R4FBNT-1 or R4FBNT-1-EM  
 \*EM option is not SPCL rated

# FQ Dim-To-Warm

## 4" Downlight

R4FRDT | R4FRDL | R4FSDT | R4FSDL

Fixture Type: \_\_\_\_\_  
 Project: \_\_\_\_\_  
 Catalog#: \_\_\_\_\_  
 Location: \_\_\_\_\_

### FEATURES

<p><b>Optics:</b></p> <ul style="list-style-type: none"> <li>• High lumen output across the full Dim-to-Warm range</li> <li>• Powerful glare control due to the fixtures 30° shielding angle, 45° vertical tilting, and 360° horizontal rotation</li> </ul>	<p><b>Construction:</b></p> <ul style="list-style-type: none"> <li>• Two piece die-cast aluminum constructed body and trim</li> </ul>
<p><b>LED:</b></p> <ul style="list-style-type: none"> <li>• High output COB LED with a 3-step Mac Adam ellipse</li> <li>• Rated operational life of 50,000 hours at L70 (LED maintains 70% of its initial delivered lumens when brand new for 50,000 hours of use.)</li> </ul>	<p><b>Trim and Reflector:</b></p> <ul style="list-style-type: none"> <li>• Reflectors with beam angles of 30° and 50° are all included and swappable</li> </ul>
<p><b>Electrical:</b></p> <ul style="list-style-type: none"> <li>• Input power is universal 120-277VAC and 50/60 Hz</li> <li>• Available in 13W and 19W power levels</li> </ul>	<p><b>Installation:</b></p> <ul style="list-style-type: none"> <li>• Light engine is mounted onto the trim using springs that allow for easy replacement</li> <li>• Heavy gauge retention clips firmly support the trim within the housing</li> </ul>
<p><b>Dimming:</b></p> <ul style="list-style-type: none"> <li>• Electronic Low Voltage (ELV), TRIAC, and 0-10V dimming are available</li> <li>• ELV, TRIAC, and 0-10V are all capable of a range of 100 - 1%</li> </ul>	<p><b>Warranty:</b></p> <ul style="list-style-type: none"> <li>• WAC Architectural limited warranty up to 5 years</li> <li>• Full warranty found at: <a href="http://wacighting.com/warranty">wacighting.com/warranty</a></li> </ul>
<p><b>Notes:</b></p> <ul style="list-style-type: none"> <li>• The White, Black, and Dark Bronze finishes are all electrostatically powder coated</li> <li>• The Haze finish is enamel coated</li> </ul>	

## FQ Dim-To-Warm 4" Downlight

R4FRDT | R4FRDL | R4FSDT | R4FSDL

Fixture Type: \_\_\_\_\_  
 Project: \_\_\_\_\_  
 Catalog#: \_\_\_\_\_  
 Location: \_\_\_\_\_

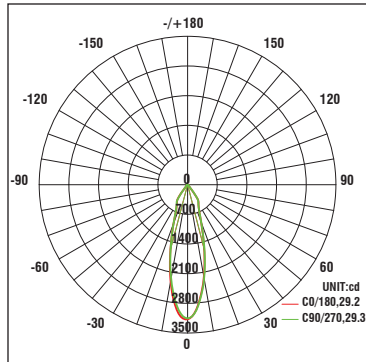
### PERFORMANCE DATA

#### Polar Candela Distribution Charts

Samples shown from a trim fixture with 2 housing.

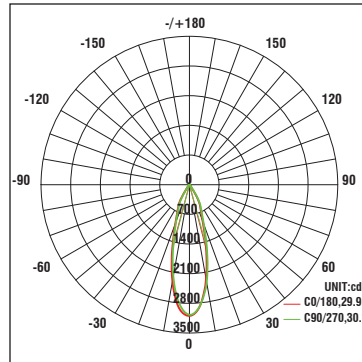
#### ROUND

Flood Beam: 30° Beam

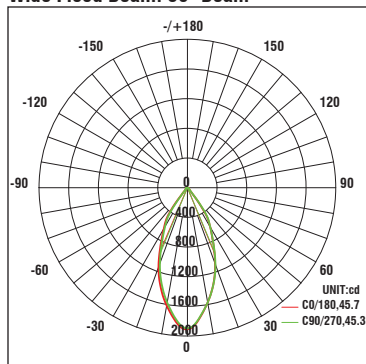


#### SQUARE

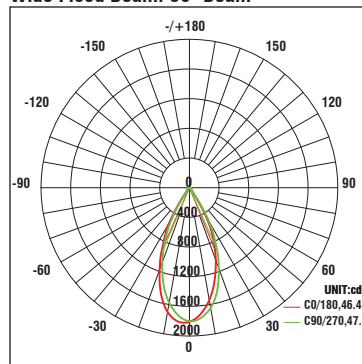
Flood Beam: 30° Beam



Wide Flood Beam: 50° Beam



Wide Flood Beam: 50° Beam



FQ Dim-To-Warm  
4" Downlight

R4FRDT | R4FRDL | R4FSDT | R4FSDL

Fixture Type: \_\_\_\_\_  
 Project: \_\_\_\_\_  
 Catalog#: \_\_\_\_\_  
 Location: \_\_\_\_\_

**PERFORMANCE DATA**

**Unified Glare Rating (UGR) Table**

UGR values shown are calculated for a fixture with 2 housing.

Round Fixture	Angle	UGR Range
Flood	30°	≤ 11
Wide Flood	50°	≤ 12

Square Fixture	Angle	UGR Range
Flood	30°	≤ 12
Wide Flood	50°	≤ 12

**Lumens and CBCP Multiplier Table**

Use the below table to determine lumens and CBCP values for the combinations of power, color temperature, and CRI values.

Multiplier		TRIM
HOUSING	2	1.00
	1	0.69

FQ Dim-To-Warm  
4" Downlight

R4FRDT | R4FRDL | R4FSDT | R4FSDL

Fixture Type: \_\_\_\_\_

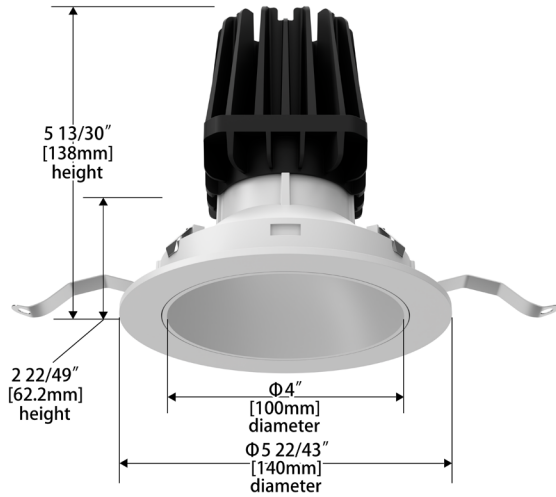
Project: \_\_\_\_\_

Catalog#: \_\_\_\_\_

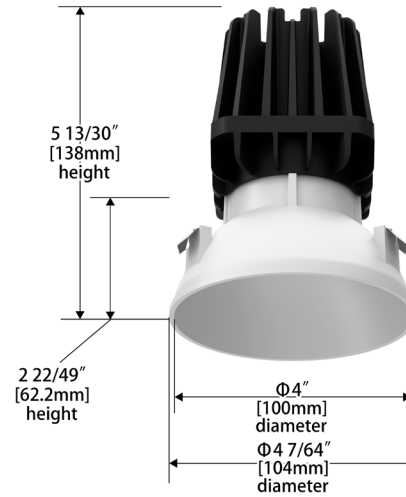
Location: \_\_\_\_\_

**DIMENSIONAL DIAGRAMS**

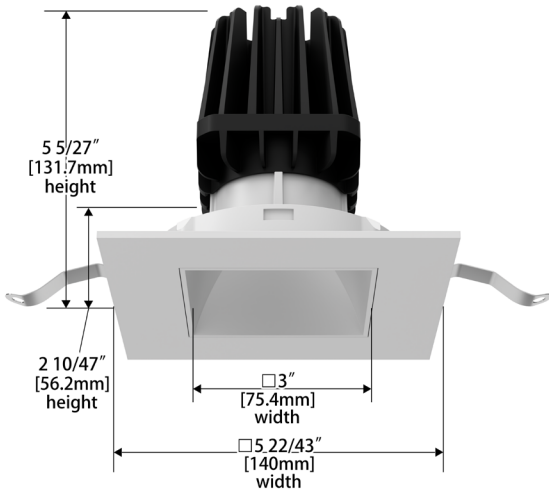
**Round Trim (R4FRDT)**



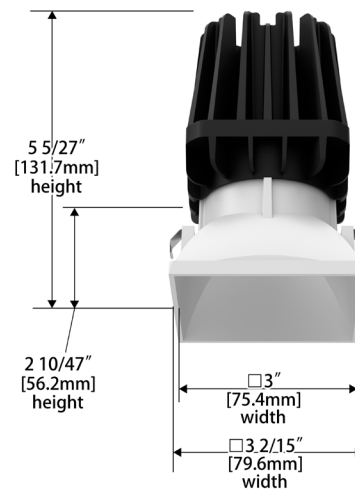
**Round Trimless (R4FRDL)**



**Square Trim (R4FSDT)**



**Square Trimless (R4FSDL)**



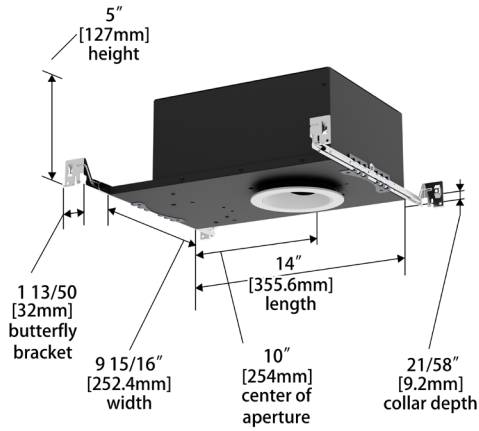
FQ Dim-To-Warm  
4" Downlight

R4FRDT | R4FRDL | R4FSDT | R4FSDL

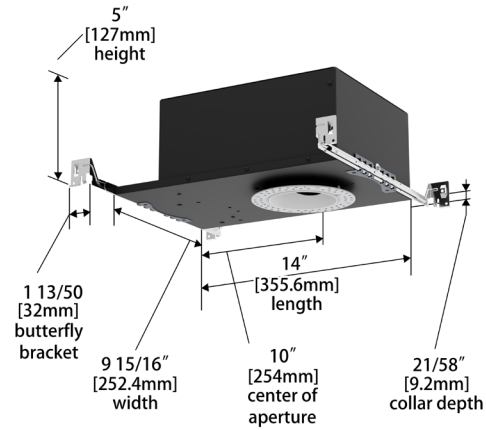
Fixture Type: \_\_\_\_\_  
 Project: \_\_\_\_\_  
 Catalog#: \_\_\_\_\_  
 Location: \_\_\_\_\_

**DIMENSIONAL DIAGRAMS**

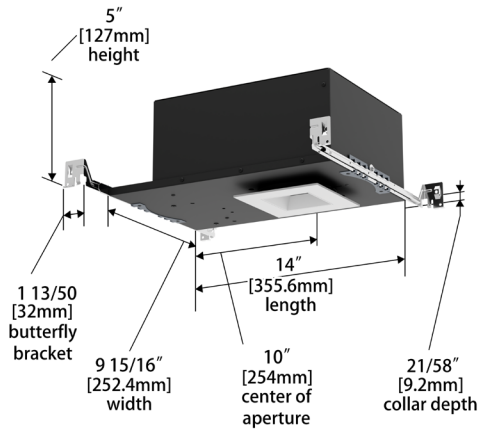
**New Construction - Round Trim**



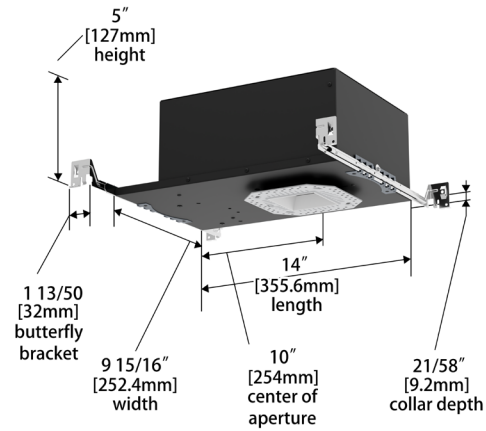
**New Construction - Round Trimless**



**New Construction - Square Trim**



**New Construction - Square Trimless**



## FQ Dim-To-Warm

### 4" Downlight

R4FRDT | R4FRDL | R4FSDT | R4FSDL

Fixture Type: \_\_\_\_\_

Project: \_\_\_\_\_

Catalog#: \_\_\_\_\_

Location: \_\_\_\_\_

#### WIRING DIAGRAMS

