

FQ

4" Wall Wash

R4FRWT | R4FRWL | R4FSWT | R4FSWL

Fixture Type: _____

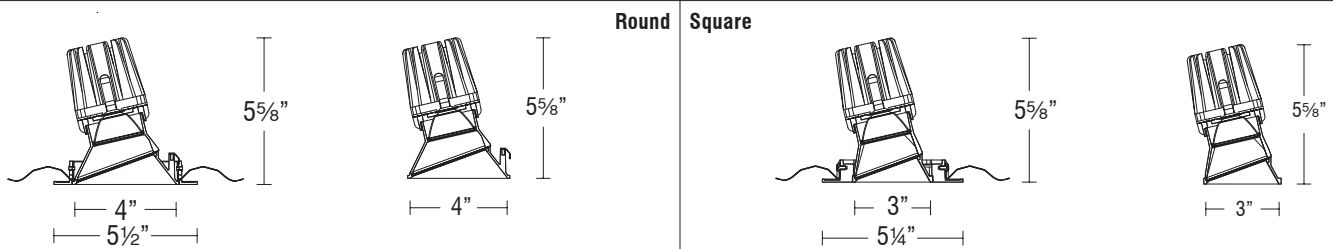
Project: _____

Catalog#: _____

Location: _____



LINE DRAWING



PRODUCT DESCRIPTION

The FQ Recessed series offers a complete line of high performance LED luminaires that provide outstanding functionality and quality. The FQ series features superlative glare control with 30° shielding, 45° vertical tilting, and uniform floor-to-ceiling wall washing. Multiple power level options and a full line of round and square, trimmed and trimless luminaires offer versatile solutions for various lighting applications. Easy to order, install, and service.

SPECIFICATIONS

Construction:	Two piece die-cast construction
Mounting:	Heavy gauge retention clips support trim firmly Ceiling cut out (Round): Trim $\varnothing 4\frac{3}{4}"$ Trimless $\varnothing 4\frac{3}{4}"$ Ceiling cut out (Square): Trim $4\frac{3}{4}" \times 4\frac{3}{4}"$ Trimless $4\frac{3}{4}" \times 4\frac{3}{4}"$ Accommodates $\frac{1}{2}" - 1"$ ceiling thickness
Light Source:	High output 3-step Mac Adam Ellipse COB Rated life of 50,000 hours at L70
Input:	Universal 120-277V AC, 50/60 Hz
Dimming:	ELV, TRIAC, 0-10V: 100 - 1%
Maximum Delivered Output:	Up to 2,056 lm (Round Asymmetric, 28W, 4000K, CRI 90)
Operating Temperature:	-4°F to 104°F (-20°C to 40°C)
Standards:	ETL & cETL Wet location listed, Title 24 JA8 Compliant
Warranty:	5 year WAC Lighting guaranteed warranty

BEAM ANGLES



FINISHES



Model	Beam	Lumens	CBCP	Color Temp	CRI
		Ref Output*			
R4FRWT Round Trim	A Asym	Round 1940 Square 1865	N/A N/A	927 - 2700K	90
R4FRWL Round Trimless				930 - 3000K	
R4FSWT Square Trim				935 - 3500K	
R4FSWL Square Trimless				940 - 4000K	

Lumens and CBCP are reference values for a trim fixture with 4 housing set to 3000K Color Temperature. Refer to Multiplier Table in Performance Data to determine other outputs.

FQ

4" Wall Wash

R4FRWT | R4FRWL | R4FSWT | R4FSWL

Fixture Type: _____

Project: _____

Catalog#: _____

Location: _____

ORDERING INFORMATION

CONFIGURATION TABLE		
Model & Power	Color Temperature & CRI	Reflector Finish
R4FRWT	927 - 2700K - 90	BK - BLACK
R4FRWL	930 - 3000K - 90	DB - DARK BRONZE
R4FSWT	935 - 3500K - 90	HZ - HAZE
R4FSWL	940 - 4000K - 90	HZWT - HAZE/WHITE WT - WHITE

R4FRWT-__ - __

Example: R4FRWT-930-WT

ORDERING NOTES

1. The "Haze/White" finish is only available on trimmed fixtures (R4FRWT, R4FSWT).
2. The "Haze" finish is only available on trimless fixtures (R4FRWL, R4FSWL)

Fixture Type: _____

Project: _____

Catalog#: _____

Location: _____

ORDERING INFORMATION

Housings	Model	Power	Rating	Emergency Backup*
New Construction Airtight Trimmed Round & Square	R4FBNT	1 13W	IC,SPCL	EM Optional
		2 19W	IC,SPCL	
		3 25W	IC,SPCL	
		4 28W	Non-IC	
New Construction Airtight Trimless Round	R4FRNL	1 13W	IC,SPCL	N/A
		2 19W	IC,SPCL	
		3 25W	IC,SPCL	
		4 28W	Non-IC	
New Construction Airtight Trimless Square	R4FSNL	1 13W	IC,SPCL	N/A
		2 19W	IC,SPCL	
		3 25W	IC,SPCL	
		4 28W	Non-IC	
New Construction Frame-In Trimmed Round & Square	R4FBFT	1 13W	Non-IC	EM Optional
		2 19W	Non-IC	
		3 25W	Non-IC	
		4 28W	Non-IC	
New Construction Frame-In Trimless Round	R4FRFL	1 13W	Non-IC	N/A
		2 19W	Non-IC	
		3 25W	Non-IC	
		4 28W	Non-IC	
New Construction Frame-In Trimless Square	R4FSFL	1 13W	Non-IC	N/A
		2 19W	Non-IC	
		3 25W	Non-IC	
		4 28W	Non-IC	
Remodel Housing Trimless - Round	R4FRRL	1 13W	Non-IC	N/A
		2 19W	Non-IC	
		3 25W	Non-IC	
		4 28W	Non-IC	
Remodel Housing Trimless - Square	R4FSRL	1 13W	Non-IC	N/A
		2 19W	Non-IC	
		3 25W	Non-IC	
		4 28W	Non-IC	
Remodel Housing Trimmed	R4FBRT	1 13W	Non-IC	N/A
		2 19W	Non-IC	
		3 25W	Non-IC	
		4 28W	Non-IC	
Remodel Housing Trimmed	R4FBR2T	1 13W	IC	N/A

R4F - - -
 Example: R4FBNT-1 or R4FBNT-1-EM
 *EM option is not SPCL rated

Fixture Type: _____

Project: _____

Catalog#: _____

Location: _____

FEATURES

<p>Optics:</p> <ul style="list-style-type: none"> • High lumen output across four CCT options that are all rated 90 CRI • Powerful glare control due to the fixtures 30° shielding angle, 45° vertical tilting, and 360° horizontal rotation 	<p>Construction:</p> <ul style="list-style-type: none"> • Two piece die-cast aluminum constructed body and trim
<p>LED:</p> <ul style="list-style-type: none"> • High output COB LED with a 3-step Mac Adam ellipse • Rated operational life of 50,000 hours at L70 (LED maintains 70% of its initial delivered lumens when brand new for 50,000 hours of use.) 	<p>Trim and Reflector:</p> <ul style="list-style-type: none"> • Available in a wall wash (asymmetric) beam angle for even wall illumination both vertically and horizontally
<p>Electrical:</p> <ul style="list-style-type: none"> • Input power is universal 120-277VAC and 50/60 Hz • Available in 13W, 19W, 25W, and 28W power levels 	<p>Installation:</p> <ul style="list-style-type: none"> • Light engine is mounted onto the trim using springs that allow for easy replacement • Heavy gauge retention clips firmly support the trim within the housing
<p>Dimming:</p> <ul style="list-style-type: none"> • Electronic Low Voltage (ELV), TRIAC, and 0-10V dimming are available • ELV, TRIAC, and 0-10V are all capable of a range of 100 - 1% 	<p>Warranty:</p> <ul style="list-style-type: none"> • WAC Architectural limited warranty up to 5 years • Full warranty found at: waclighting.com/warranty
<p>Notes:</p> <ul style="list-style-type: none"> • The White, Black, and Dark Bronze finishes are all electrostatically powder coated • The Haze finish is enamel coated 	

Fixture Type: _____

Project: _____

Catalog#: _____

Location: _____

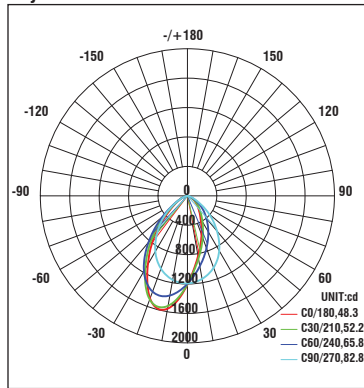
PERFORMANCE DATA

Polar Candela Distribution Charts

Samples shown from a trim fixture with 4 housing set to 3000K.

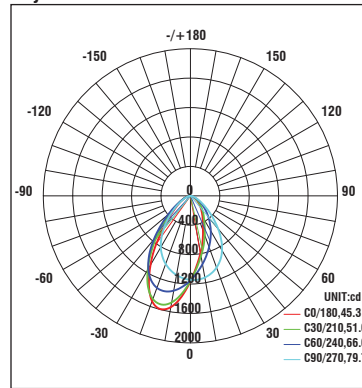
ROUND

Asymmetric Beam



SQUARE

Asymmetric Beam



FQ

4" Wall Wash

R4FRWT | R4FRWL | R4FSWT | R4FSWL

Fixture Type: _____

Project: _____

Catalog#: _____

Location: _____

PERFORMANCE DATA

Unified Glare Rating (UGR) Table

UGR values shown are calculated for a fixture with 4 housing at 3000K and 90 CRI.

Round Fixture	Angle	UGR Range	Square Fixture	Angle	UGR Range
Asymmetric	-	≤20	Asymmetric	-	≤21

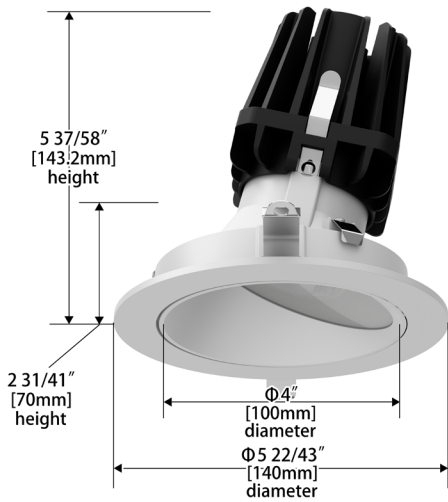
Lumens and CBCP Multiplier Table

Use the below table to determine lumens and CBCP values for the combinations of power, color temperature, and CRI values.

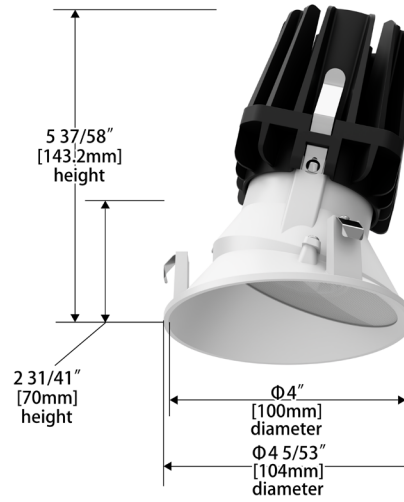
Multiplier		Color Temperature			
		927	930	935	940
HOUSING	4	0.95	1.00	1.02	1.06
	3	0.84	0.88	0.90	0.93
	2	0.65	0.68	0.70	0.72
	1	0.45	0.47	0.48	0.50

DIMENSIONAL DIAGRAMS

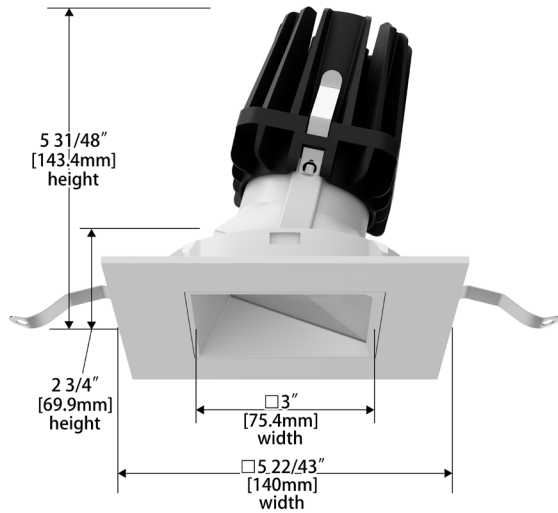
Round Trim (R4FRWT)



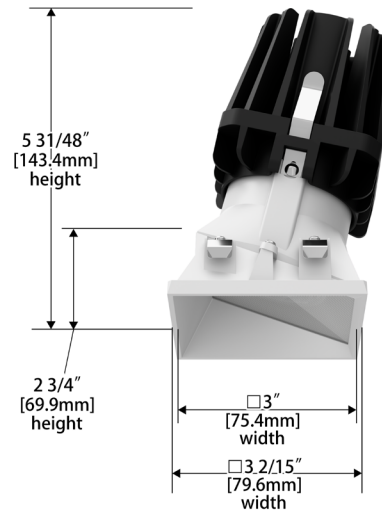
Round Trimless (R4FRWL)



Square Trim (R4FSWT)



Square Trimless (R4FSWL)



Fixture Type: _____

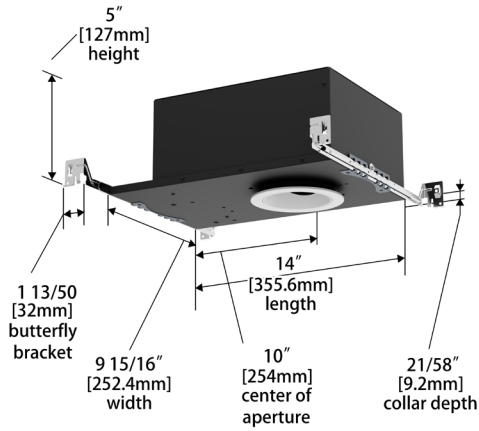
Project: _____

Catalog#: _____

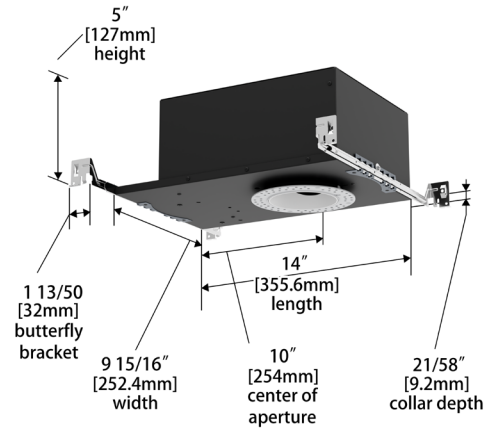
Location: _____

DIMENSIONAL DIAGRAMS

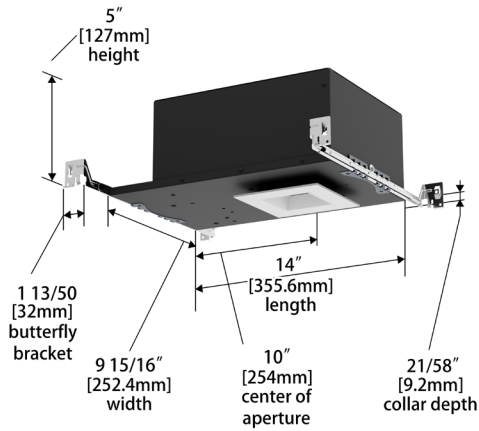
New Construction - Round Trim



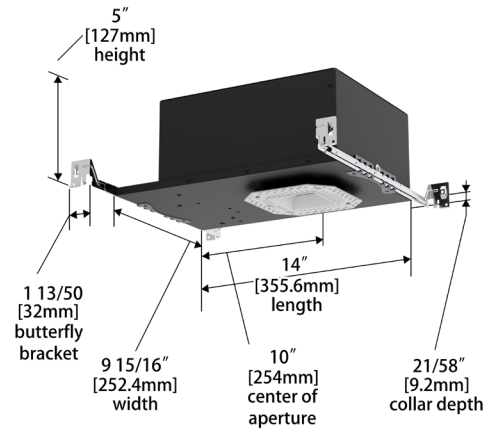
New Construction - Round Trimless



New Construction - Square Trim



New Construction - Square Trimless



Fixture Type: _____

Project: _____

Catalog#: _____

Location: _____

WIRING DIAGRAMS

