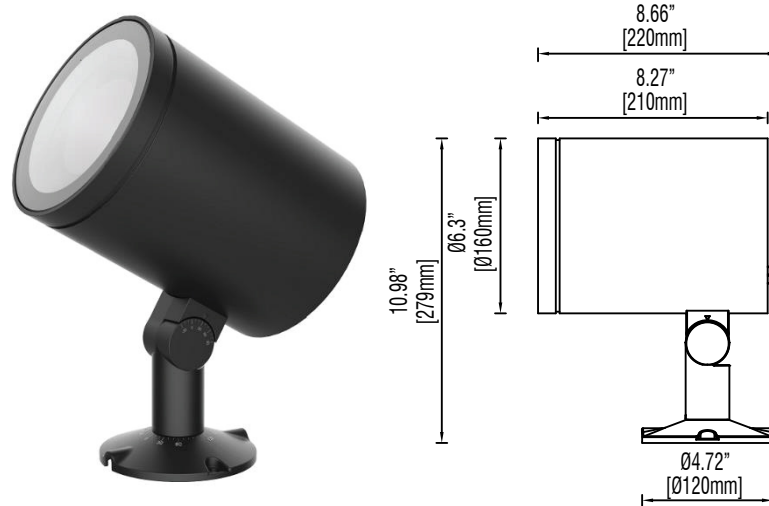


Ring Static White RAL6 (68W)

Fixture Type: _____
 Project: _____
 Catalog#: _____
 Location: _____



PRODUCT DESCRIPTION
 The Ring series floodlights are professional LED luminaires designed by WAC for high-end outdoor lighting applications. The compact fixture body features efficient heat dissipation, helping to extend the lifespan of the LED. Its clean design and high-performance optical output enhance the surrounding environment. The Ring series is available in multiple sizes and incorporates the latest LED technology, allowing precise adjustment in both vertical and horizontal directions. It is suitable for projection lighting in areas such as building facades, landscapes, sculptures, and other architectural features.

SPECIFICATIONS	
Construction:	Durable aluminum alloy lamp body
Mounting:	Outdoor installation
Light Source:	High output 3-step Mac Adam Ellipse COB Rated life of 50,000 hours at L70
Input:	Universal 120-277V AC, 50/60 Hz
Power:	68W
Dimming:	0-10V, DMX512-A with RDM
Maximum Delivered Intensity:	Up to 21,152 cd (Narrow Flood 23°, 4000K)
Maximum Delivered Output:	Up to 5,843 lm (Narrow Flood 23°, 4000K)
Operating Temperature:	-4°F to 122°F (-20°C to 50°C)
Standards:	UL & cUL Wet location listed
Warranty:	5 year WAC Lighting guaranteed warranty

BEAM ANGLES		
N - 23°	M - 35°	F - 45°

FINISHES	
	Black BK

Model	Beam	Lumens Ref Output*	CBCP	Efficacy (lm/W)	Color Temp
RAL6 Ø125mm Ø4.92"	N 23°	7,210	26,770	93	927-2700K
	M 35°	6,694	13,447	86	930-3000K
	F 45°	6,674	10,266	86	940-4000K

*Lumens and CBCP are reference values for 3000K Color Temperature. Refer to Multiplier Table in Performance Data to determine other outputs.

Ring Static White RAL6 (68W)

Fixture Type: _____
 Project: _____
 Catalog#: _____
 Location: _____

ORDERING INFORMATION

CONFIGURATION TABLE				
Model & Power	Dimming	Beam Angle	Color Temperature & CRI	Housing Finish
RAL6 (68W)	L - 0-10V	N - Narrow Flood	927 - 2700K - 90	BK - BLACK
	D - DMX512-A	M - Medium Flood	930 - 3000K - 90	
		F - Flood	940 - 4000K - 90	

RAL6-68 - ____ -BK

Example: RAL6-68D-M930-BK

ACCESSORIES	
RAL6-SHR-BK	<i>Ring 6" Shroud - Black</i>
RAL6-SNOOT-BK	<i>Ring 6" Snoot - Black</i>

Fixture Type: _____

Project: _____

Catalog#: _____

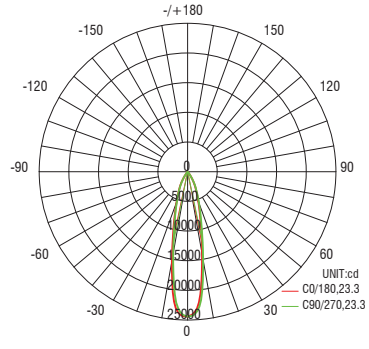
Location: _____

PERFORMANCE DATA

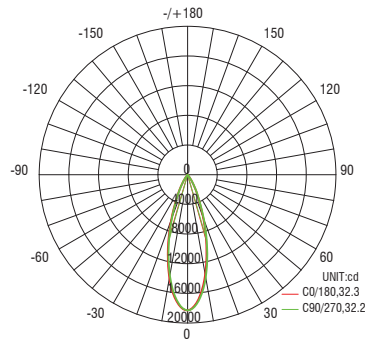
Polar Candela Distribution Charts

Samples shown from a fixture set to 3000K.

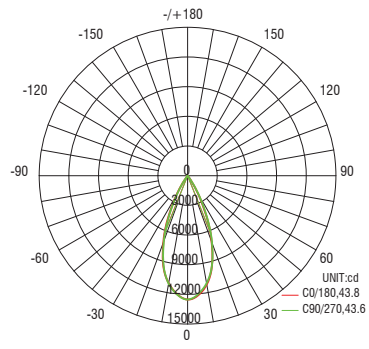
N - Narrow Flood Beam 23°



M - Medium Flood Beam 35°



F - Flood Beam 45°



Ring
Static White
RAL6 (68W)

Fixture Type: _____
 Project: _____
 Catalog#: _____
 Location: _____

PERFORMANCE DATA

Unified Glare Rating (UGR) Table

Samples shown from a fixture set to 3000K. General performance of other beam angles shown below.

Fixture	Angle	UGR Range
Narrow Flood	23°	≤ 17
Medium Flood	35°	≤ 16
Flood	45°	≤ 16

Lumens and CBCP Multiplier Table

Use the below table to determine lumens and CBCP values for the combinations of power, color temperature, and CRI values.

Color Temperature				
2700K	3000K	3500K	4000K	5000K
0.96	1.00	1.04	1.07	1.12