

## Fuego Compact

1" RGBW

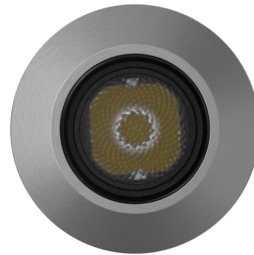
FCH01

Fixture Type: \_\_\_\_\_

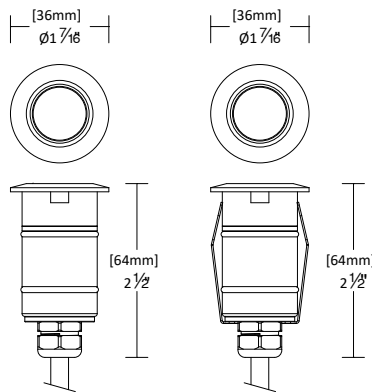
Project: \_\_\_\_\_

Catalog#: \_\_\_\_\_

Location: \_\_\_\_\_



### LINE DRAWING



### PRODUCT DESCRIPTION

The FUEGO Compact features a high-quality 316 stainless steel construction. It is designed for outdoor environments, with an IP68 protection rating, IK08 impact resistance rating, and a load-bearing capacity of up to 1500 kg. The fixture is equipped with a high-transmittance lens and a patented anti-glare system. The pre-buried sleeve design allows for easy installation and maintenance. It is ideal for use in residential areas, including parks, plazas, shopping centers, and for facade lighting applications.

### BEAM ANGLES



Model	Beam	Lumens Ref Output*	CBCP	Efficacy (lm/W)
FCH01	1.4" Flood 50°	34	37	11

\*Lumens and CBCP are reference values for fixtures set to 3000K Color Temperature. Refer to Multiplier Table on the next page to determine other outputs.

### SPECIFICATIONS

<b>Construction:</b>	Die-cast stainless steel trim with die-cast aluminum heat sink
<b>Mounting:</b>	In-ground installation with vacuum molded mud stopper and PVC casing In-ground cut out: Ø 1 15/16" / 33mm ○
<b>Light Source:</b>	High output 3-step Mac Adam Ellipse Rated life of 50,000 hours at L70
<b>Input:</b>	24 VDC
<b>Dimming:</b>	DMX512-A with RDM
<b>Maximum Delivered Intensity:</b>	37 cd
<b>Maximum Delivered Output:</b>	34 lm
<b>Operating Temperature:</b>	-4°F to 114°F (-20°C to 50°C)
<b>Standards:</b>	UL & cUL Wet location listed
<b>Warranty:</b>	5 year WAC Lighting guaranteed warranty

# Fuego Compact

1" RGBW

FCH01

Fixture Type: \_\_\_\_\_

Project: \_\_\_\_\_

Catalog#: \_\_\_\_\_

Location: \_\_\_\_\_

## ORDERING INFORMATION

CONFIGURATION TABLE				
Model	Color Temperature & CRI	Control Options	Beam	Finish
<b>FCH01</b>	<b>RGB830</b> - 3000K - 80 <b>RGB840</b> - 4000K - 80 <b>RGB857</b> - 5700K - 80	<b>D:</b> DMX512-A	<b>F:</b> Flood - 50°	<b>SS:</b> Black-painted Stainless Steel

### FCH01-RGB8\_\_D-F-SS

Example: FCH01-RGB840D-F-SS

Power Supplies	Power	Dimming Range
DMX512-A and 0-10V		
<b>PS-OD24-U100R-DL</b>	96W	10 - 100%

### Lumens and CBCP Multiplier Table

Use the below table to determine lumens and CBCP values for the combinations of power, color temperature, and CRI values.

Color Temperature		
3000K	4000K	5700K
1.00	1.07	1.15

# Fuego Compact

1" RGBW

FCH01

Fixture Type: \_\_\_\_\_

Project: \_\_\_\_\_

Catalog#: \_\_\_\_\_

Location: \_\_\_\_\_

## FEATURES

<p><b>Optics:</b></p> <ul style="list-style-type: none"> <li>• High transmittance lens and anti-glare system allow for precise illumination</li> </ul>	<p><b>Construction:</b></p> <ul style="list-style-type: none"> <li>• Die-cast stainless steel body that is rated IP67 and IK08, making it suitable for outdoor usage</li> </ul>
<p><b>LED:</b></p> <ul style="list-style-type: none"> <li>• High output LED with a 3-step Mac Adam ellipse</li> <li>• Rated operational life of 50,000 hours at L70 (LED maintains 70% of its initial delivered lumens when brand new for 50,000 hours of use.)</li> </ul>	<p><b>Trim and Reflector:</b></p> <ul style="list-style-type: none"> <li>• One beam angle is available: Flood (50°)</li> </ul>
<p><b>Electrical:</b></p> <ul style="list-style-type: none"> <li>• Input power is 24 VDC</li> <li>• Available at a 3.5W power level</li> </ul>	<p><b>Installation:</b></p> <ul style="list-style-type: none"> <li>• Embedded sleeve system streamlines in-ground installation and servicing</li> </ul>
<p><b>Dimming:</b></p> <ul style="list-style-type: none"> <li>• DMX512-A controls are integrated for full RGBW tuning</li> </ul>	<p><b>Warranty:</b></p> <ul style="list-style-type: none"> <li>• WAC Architectural limited warranty up to 5 years</li> <li>• Full warranty found at: <a href="http://wacighting.com/warranty">wacighting.com/warranty</a></li> </ul>
<p><b>Notes:</b></p> <ul style="list-style-type: none"> <li>• The Black finish for the body is electrostatically powder coated</li> </ul>	

## Fuego Compact

1" RGBW

FCH01

Fixture Type: \_\_\_\_\_

Project: \_\_\_\_\_

Catalog#: \_\_\_\_\_

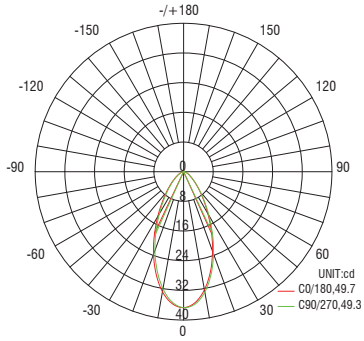
Location: \_\_\_\_\_

### PERFORMANCE DATA

#### Polar Candela Distribution Charts

Samples shown from a fixture set to 3000K and 85 CRI.

##### Narrow Flood Beam: 50° Beam



# Fuego Compact

1" RGBW

FCH01

Fixture Type: \_\_\_\_\_

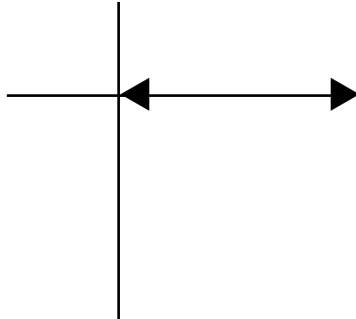
Project: \_\_\_\_\_

Catalog#: \_\_\_\_\_

Location: \_\_\_\_\_

## DIMENSIONAL DIAGRAMS

$\Phi 1 \frac{27}{64}''$   
[36mm]  
diameter



## Fuego Compact

1" RGBW

FCH01

Fixture Type: \_\_\_\_\_

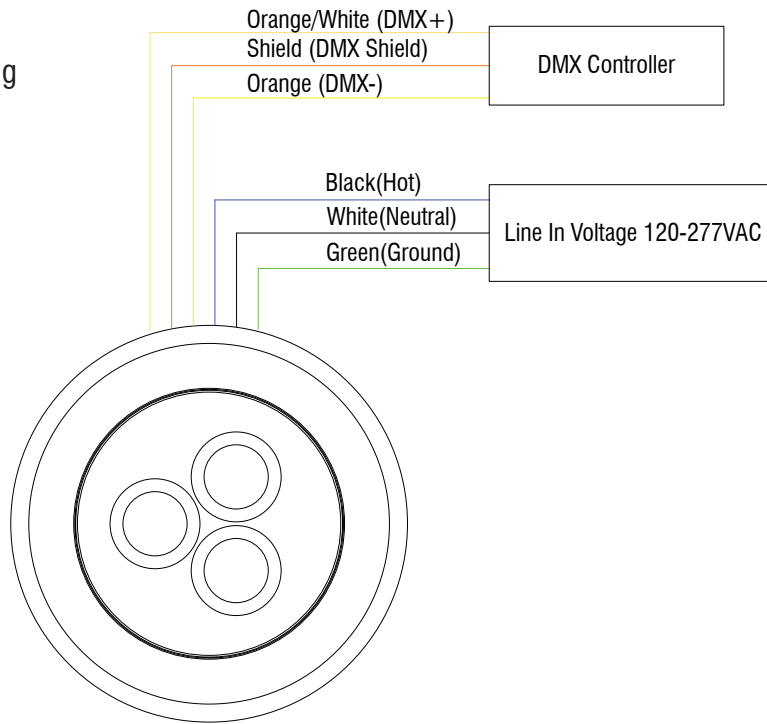
Project: \_\_\_\_\_

Catalog#: \_\_\_\_\_

Location: \_\_\_\_\_

### WIRING DIAGRAMS

#### Single Fixture Wiring



#### Multiple Fixture Wiring

