

Fuego Compact

2" RGBW

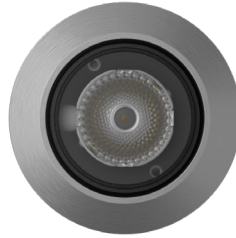
FCH02

Fixture Type: _____

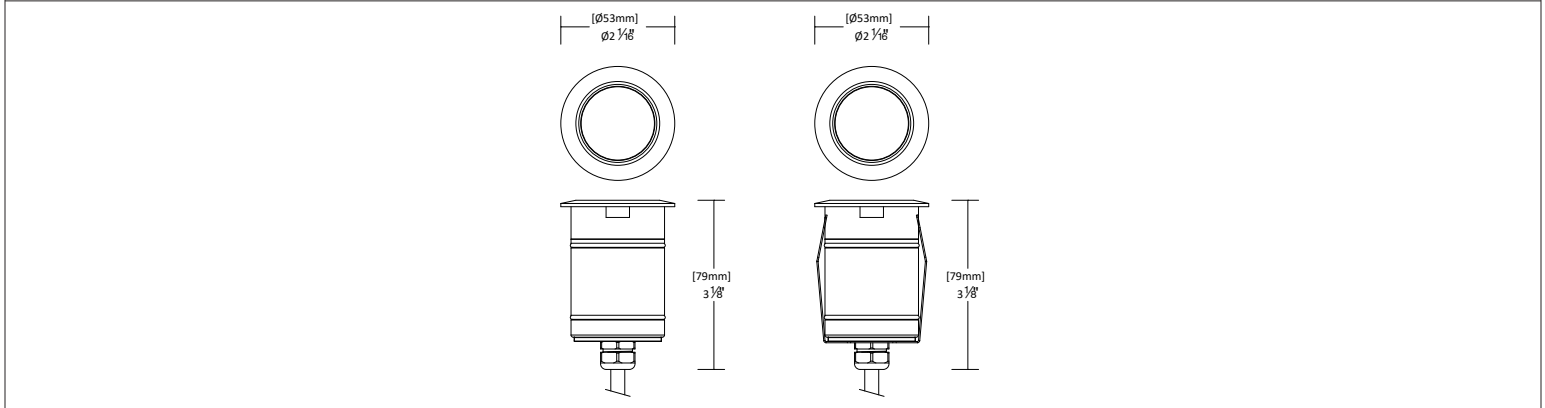
Project: _____

Catalog#: _____

Location: _____



LINE DRAWING



PRODUCT DESCRIPTION

The FUEGO Compact features a high-quality 316 stainless steel construction. It is designed for outdoor environments, with an IP68 protection rating, IK08 impact resistance rating, and a load-bearing capacity of up to 1500 kg. The fixture is equipped with a high-transmittance lens and a patented anti-glare system. The pre-buried sleeve design allows for easy installation and maintenance. It is ideal for use in residential areas, including parks, plazas, shopping centers, and for facade lighting applications.

SPECIFICATIONS

Construction:	Die-cast stainless steel trim with die-cast aluminum heat sink
Mounting:	In-ground installation with vacuum molded mud stopper and PVC casing In-ground cut out: Ø 1 15/16" / 50mm ○
Light Source:	High output 3-step Mac Adam Ellipse Rated life of 50,000 hours at L70
Input:	24 VDC
Dimming:	DMX512-A with RDM
Maximum Delivered Intensity:	Up to 578 cd (Narrow 20°, 5700K)
Maximum Delivered Output:	Up to 143 lm (Narrow 20°, 5700K)
Operating Temperature:	-4°F to 114°F (-20°C to 50°C)
Standards:	UL & cUL Wet location listed
Warranty:	5 year WAC Lighting guaranteed warranty

BEAM ANGLES



Model	Beam	Lumens Ref Output*	CBCP	Efficacy (lm/W)	Color Temp & CRI
FCH02 2.1"	Narrow Flood 20°	124	503	23	830 - 3000K - 80 840 - 4000K - 80 857 - 5700K - 80
	Medium Flood 30°	100	214	19	
	Flood 40°	108	162	20	
	Wide Flood 50°	84	102	16	
	Asymmetric 35° x 50°	94	140	18	

*Lumens and CBCP are reference values for fixtures set to 3000K Color Temperature. Refer to Multiplier Table on the next page to determine other outputs.



Fuego Compact

2" RGBW

FCH02

Fixture Type: _____

Project: _____

Catalog#: _____

Location: _____

ORDERING INFORMATION

CONFIGURATION TABLE				
Model	Color Temperature & CRI	Control Options	Beam	Finish
FCH02	RGB830 - 3000K - 80 RGB840 - 4000K - 80 RGB857 - 5700K - 80	D: DMX512-A	N: Narrow Flood - 20° M: Medium Flood - 30° F: Flood - 40° W: Wide Flood - 50° E: Elongating - 35° x 50°	SS: Black-painted Stainless Steel

FCH02-RGB8__D-_-SS

Example: FCH02-RGB840D-F-SS

Power Supplies	Power	Dimming Range
DMX512-A and 0-10V PS-OD24-U100R-DL	96W	10 - 100%

Lumens and CBCP Multiplier Table

Use the below table to determine lumens and CBCP values for the combinations of power, color temperature, and CRI values.

Color Temperature		
3000K	4000K	5700K
1.00	1.07	1.15

Fuego Compact

2" RGBW

FCH02

Fixture Type: _____

Project: _____

Catalog#: _____

Location: _____

FEATURES

<p>Optics:</p> <ul style="list-style-type: none"> • High transmittance lens and anti-glare system allow for precise illumination 	<p>Construction:</p> <ul style="list-style-type: none"> • Die-cast stainless steel body that is rated IP67 and IK08, making it suitable for outdoor usage
<p>LED:</p> <ul style="list-style-type: none"> • High output LED with a 3-step Mac Adam ellipse • Rated operational life of 50,000 hours at L70 (LED maintains 70% of its initial delivered lumens when brand new for 50,000 hours of use.) 	<p>Trim and Reflector:</p> <ul style="list-style-type: none"> • Five beam angles are available: Narrow Flood (20°), Medium Flood (30°), Flood (40°), Wide Flood (50°), and Asymmetric (35° x 50°)
<p>Electrical:</p> <ul style="list-style-type: none"> • Input power is 24 VDC • Available at a 5.5W power level 	<p>Installation:</p> <ul style="list-style-type: none"> • Embedded sleeve system streamlines in-ground installation and servicing
<p>Dimming:</p> <ul style="list-style-type: none"> • DMX512-A controls are integrated for full RGBW tuning 	<p>Warranty:</p> <ul style="list-style-type: none"> • WAC Architectural limited warranty up to 5 years • Full warranty found at: wacighting.com/warranty
<p>Notes:</p> <ul style="list-style-type: none"> • The Black finish for the body is electrostatically powder coated 	

Fuego Compact

2" RGBW

FCH02

Fixture Type: _____

Project: _____

Catalog#: _____

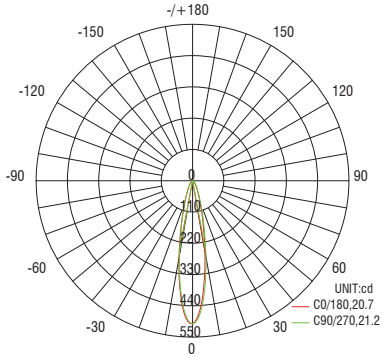
Location: _____

PERFORMANCE DATA

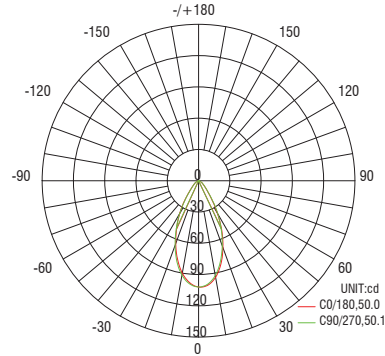
Polar Candela Distribution Charts

Samples shown from a fixture set to 3000K and 85 CRI.

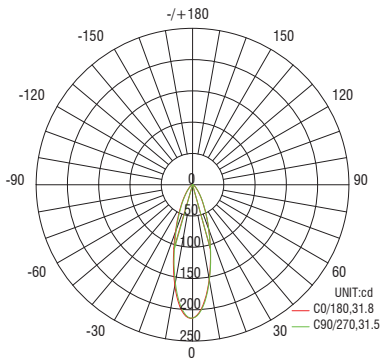
Narrow Flood Beam: 20°



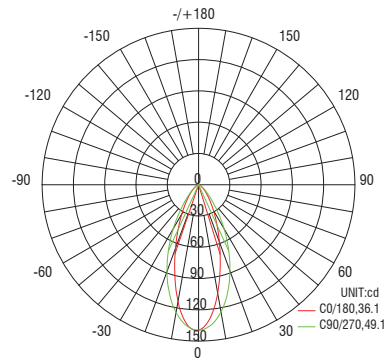
Wide Flood Beam: 50°



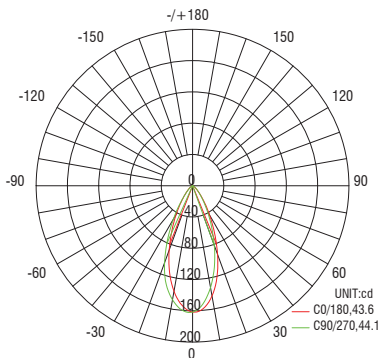
Medium Flood Beam: 30°



Asymmetric (Wall Wash) Beam: 35° x 50°



Flood Beam: 40°



Fuego Compact

2" RGBW

FCH02

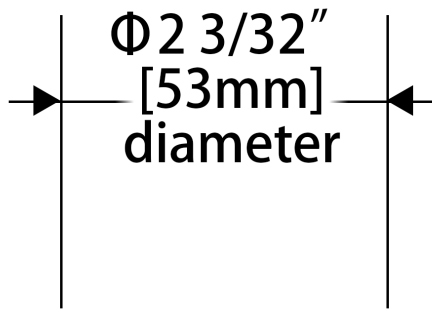
Fixture Type: _____

Project: _____

Catalog#: _____

Location: _____

DIMENSIONAL DIAGRAMS



Fuego Compact

2" RGBW

FCH02

Fixture Type: _____

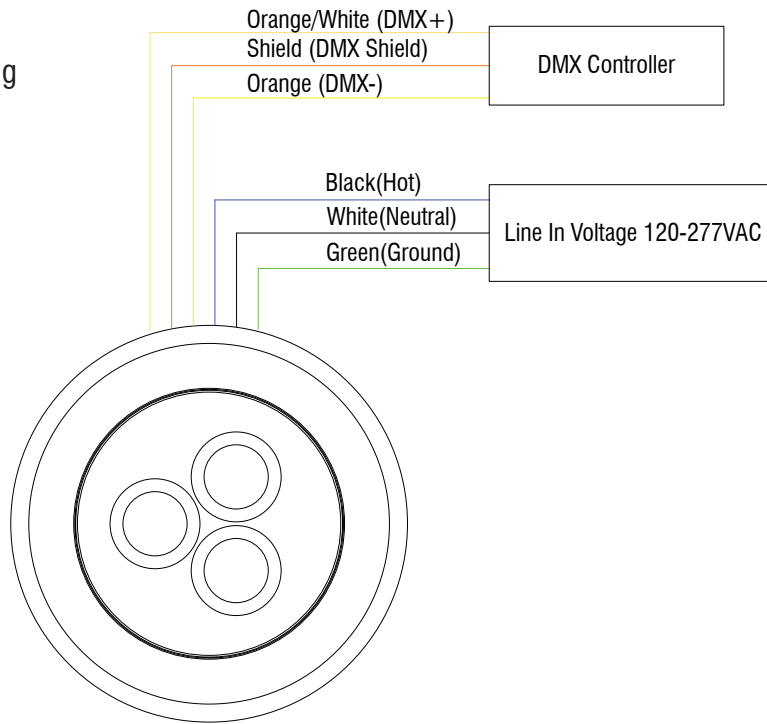
Project: _____

Catalog#: _____

Location: _____

WIRING DIAGRAMS

Single Fixture Wiring



Multiple Fixture Wiring

