

Falcon High Power COB

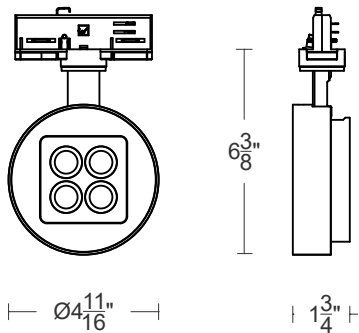
WTK-71S | WHK-71S | MO-N71S | MO-R71S

Fixture Type: _____
 Project: _____
 Catalog#: _____
 Location: _____

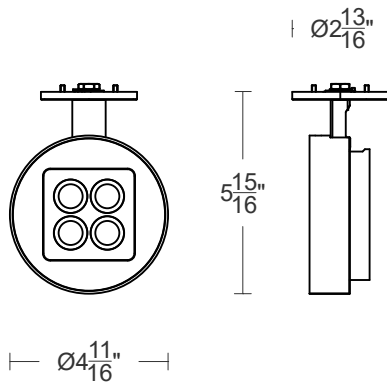


LINE DRAWING

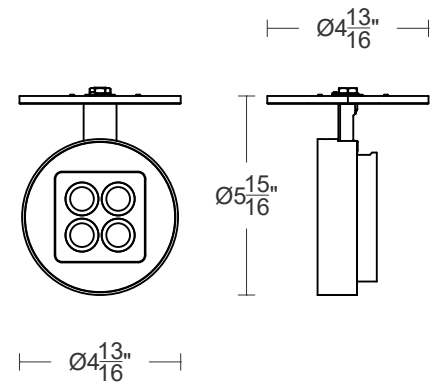
Track (WTK-71S, WHK-71S)



New Construction (MO-N71S)



Remodel (MO-R71S)



PRODUCT DESCRIPTION

Museum-grade track luminaire engineered for precise beam control and glare management. Designed for galleries and curated environments.

SPECIFICATIONS

| | |
|-------------------------------|---|
| Construction: | Injection molded polycarbonate low glare trim |
| Mounting: | Track mounted (WTK, WHK); ceiling mounted (MO) Ceiling cut out: $\varnothing 4\frac{1}{2}$ " Accommodates 1/2" - 2" ceiling thickness |
| Light Source: | High output 3-step Mac Adam Ellipse COB Rated life of 50,000 hours at L70 |
| Input: | 120 VAC (WTK), 277 VAC (WHK), 120-277 VAC (MO) |
| Power: | 16W |
| Dimming: | ELV, TRIAC, BLE, and 0-10V: 100 - 1% |
| Operating Temperature: | -4°F to 104°F (-20°C to 40°C) |
| Standards: | UL & cUL |
| Warranty: | 5 year WAC Lighting guaranteed warranty |

BEAM ANGLES



FINISHES



| Model | Beam | Lumens Ref Output* | CBCP | Efficacy (lm/W) |
|--|-------------|-----------------------|--------|-----------------|
| WTK-71S WHK-71S $\varnothing 4.8125$ " MO-N71S $\varnothing 122$ mm MO-R71S | V 11° | 660 | 15,522 | 44 |
| | S 15° | 562 | 6,874 | 37 |
| | N 24° | 951 | 5,157 | 63 |
| | M 36° | 954 | 3,302 | 63 |
| | F 40° | 976 | 1,695 | 58 |
| | A Asym | 741 | 962 | 49 |
| | G 18° X 52° | 531 | 2,573 | 35 |
| | E 13° X 45° | 518 | 2,568 | 34 |

*Lumens and CBCP are reference values for fixtures set to 3000K Color Temperature. Refer to Multiplier Table in Performance Data to determine other outputs.



Falcon High Power COB

WTK-71S | WHK-71S | MO-N71S | MO-R71S

Fixture Type: _____
 Project: _____
 Catalog#: _____
 Location: _____

ORDERING INFORMATION

| CONFIGURATION TABLE | | | |
|---------------------------|---------------------------------|-------------------------|-------------------|
| Model & Power | Beam Angle | Color Temperature & CRI | Housing Finish |
| WTK-71S (120V) | V - Very Narrow 11° | 927 - 2700K | BK - BLACK |
| WHK-71S (277V) | S - Spot 15° | 930 - 3000K | WT - WHITE |
| MO-N71S (120-277V) | N - Narrow Flood 24° | 935 - 3500K | |
| MO-R71S (120-277V) | M - Medium Flood 36° | 940 - 4000K | |
| | F - Flood 40° | | |
| | A - Wall Wash/Asymmetric | | |
| | G - Grazer 18° X 52° | | |
| | E - Elongating 13° X 45° | | |

W_K-71S-_____

Example: WTK-71S-S930WT

MO-_71S-_____

Example: MO-N71S-M930BK

| ACCESSORIES | | | |
|--------------------|---|-----------------|--------------------------------------|
| M-TL71-FC-STD-BK | <i>Falcon TL71 Front Cover Standard Beam</i> | M-TL71-FILM-5D | <i>Falcon TL71 Diffuser Film 5°</i> |
| M-TL71-FC-WW-BK | <i>Falcon TL71 Front Cover Wall Wash</i> | M-TL71-FILM-20D | <i>Falcon TL71 Diffuser Film 20°</i> |
| M-TL71-PRIS-15 | <i>Falcon TL71 Prismatic Lens S</i> | | |
| M-TL71-PRIS-13X45 | <i>Falcon TL71 Prismatic Lens E</i> | | |
| M-TL71-PRIS-18X52 | <i>Falcon TL71 Prismatic Lens G</i> | | |
| M-TL71-LENS-07 | <i>Falcon TL71 Lens Assembly 7°</i> | | |
| M-TL71-LENS-20 | <i>Falcon TL71 Lens Assembly 20°</i> | | |
| M-TL71-LENS-30 | <i>Falcon TL71 Lens Assembly 30°</i> | | |
| M-TL71-LENS-40 | <i>Falcon TL71 Lens Assembly 40°</i> | | |
| M-TL71-LENS-WW | <i>Falcon TL71 Lens Assembly Wall Wash</i> | | |
| M-TL71-LED-27 | <i>Falcon TL71 LED Module 2700K</i> | | |
| M-TL71-LED-30 | <i>Falcon TL71 LED Module 3000K</i> | | |
| M-TL71-LED-35 | <i>Falcon TL71 LED Module 3500K</i> | | |
| M-TL71-LED-40 | <i>Falcon TL71 LED Module 4000K</i> | | |
| M-FAL-MO-NCONST-BK | <i>New Construction Monopoint Kit - Black</i> | | |
| M-FAL-MO-NCONST-WT | <i>New Construction Monopoint Kit - White</i> | | |
| M-FAL-MO-REM-BK | <i>Remodel Monopoint Kit - Black</i> | | |
| M-FAL-MO-REM-WT | <i>Remodel Monopoint Kit - White</i> | | |

ORDERING NOTES

- The WTK-71S fixture is 120V and the WHK-71S fixture is 277V. Both fixtures are track mounted.
- The MO-N71S fixture is a ceiling mounted monopoint fixture for New Construction installations. The MO-R71S fixture is a ceiling mounted monopoint fixture for Remodel installations.

wacarchitectural.com | WAC Architectural, a WAC Group brand.

WAC Group Headquarters
 44 Harbor Park Drive
 Port Washington, NY 11050

WAC Architectural
 Phone (800) 526.2588
 Fax (800) 526.2585

APR 2026 | P. 2 of 7

WAC GROUP

Falcon

High Power COB

WTK-71S | WHK-71S | MO-N71S | MO-R71S

Fixture Type: _____
 Project: _____
 Catalog#: _____
 Location: _____

FEATURES

| | |
|--|---|
| <p>Optics:</p> <ul style="list-style-type: none"> • Fixture features robust anti-glare capabilities with a SUBROSA optical system that creates a 30° shielding angle | <p>Construction:</p> <ul style="list-style-type: none"> • Die-cast aluminum body |
| <p>LED:</p> <ul style="list-style-type: none"> • High output COB LED with a 3-step Mac Adam ellipse • Rated operational life of 50,000 hours at L70 (LED maintains 70% of its initial delivered lumens when brand new for 50,000 hours of use.) | <p>Trim and Reflector:</p> <ul style="list-style-type: none"> • Eight beam angles are available: Very Narrow, Spot, Narrow Flood, Medium Flood, Flood, Wall Wash, an 18° x 52° Wall Grazer, and a 13° x 45° Elongating beam |
| <p>Electrical:</p> <ul style="list-style-type: none"> • Input power is universal 120-277VAC, 50/60 Hz • Available at a 16W power level | <p>Installation:</p> <ul style="list-style-type: none"> • Suitable for W track systems |
| <p>Dimming:</p> <ul style="list-style-type: none"> • Electronic low voltage (ELV), TRIAC, and BLE dimming available | <p>Warranty:</p> <ul style="list-style-type: none"> • WAC Architectural limited warranty up to 5 years • Full warranty found at: wacighting.com/warranty |
| <p>Notes:</p> <ul style="list-style-type: none"> • The White and Black finishes for the body are electrostatically powder coated | |

Falcon

High Power COB

WTK-71S | WHK-71S | MO-N71S | MO-R71S

Fixture Type: _____

Project: _____

Catalog#: _____

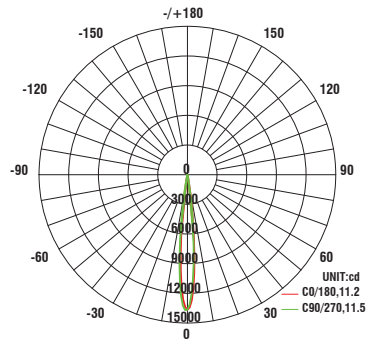
Location: _____

PERFORMANCE DATA

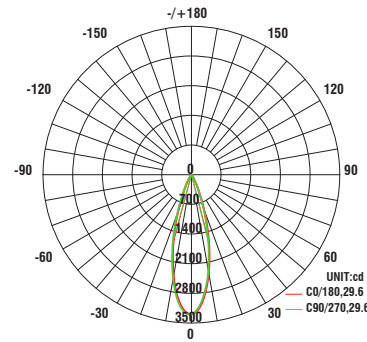
Polar Candela Distribution Charts

Samples shown with a fixture set to 3000K.

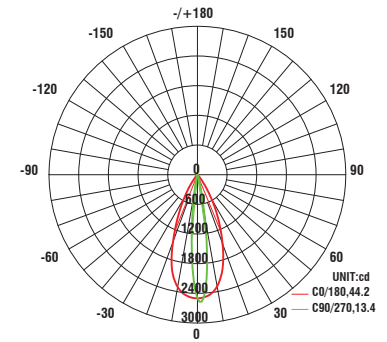
Very Narrow Beam: 11° Beam



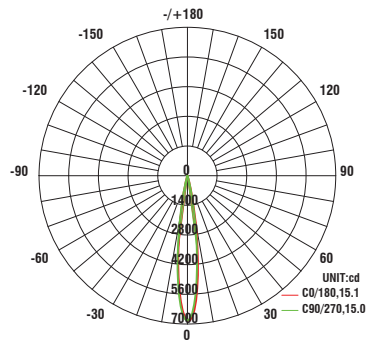
Medium Flood Beam: 36° Beam



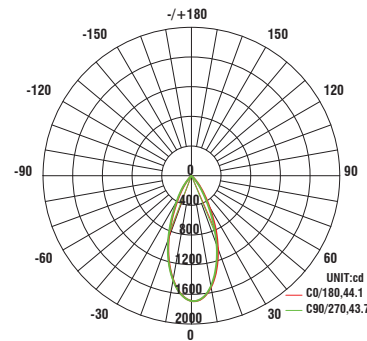
Grazer Beam: 18° X 52° Beam



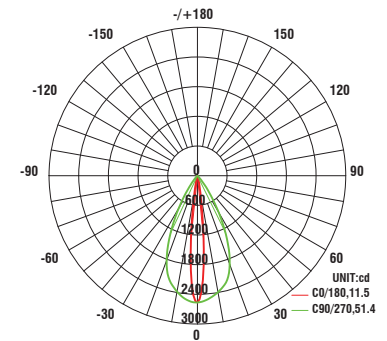
Spot Beam: 15° Beam



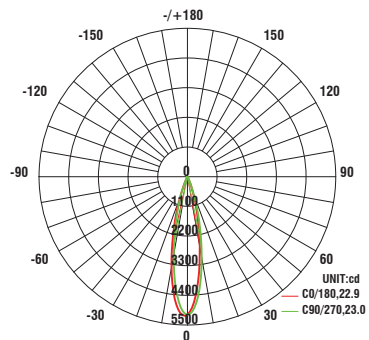
Flood Beam: 40° Beam



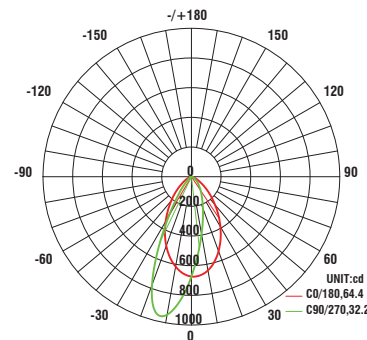
Elongating Beam: 13° X 45° Beam



Narrow Flood Beam: 24° Beam



Wall Wash Beam: Asymmetric



Falcon

High Power COB

WTK-71S | WHK-71S | MO-N71S | MO-R71S

Fixture Type: _____

Project: _____

Catalog#: _____

Location: _____

PERFORMANCE DATA

Unified Glare Rating (UGR) Table

UGR values shown are calculated for a fixture at 3000K and 90 CRI.

| Round Fixture | Angle | UGR Range |
|---------------|------------|-----------|
| Very Narrow | 11° | ≤0 |
| Spot | 15° | ≤0 |
| Narrow Flood | 24° | ≤2 |
| Medium Flood | 36° | ≤10 |
| Wide Flood | 55° | ≤19 |
| Wall Wash | Asymmetric | ≤25 |
| Grazer | 18° x 52° | ≤15 |
| Elongating | 13° x 45° | ≤17 |

Lumens and CBCP Multiplier Table

Use the below table to determine lumens and CBCP values for the combinations of power, color temperature, and CRI values.

| Color Temperature | | | |
|-------------------|-------|-------|-------|
| 2700K | 3000K | 3500K | 4000K |
| 0.93 | 1.00 | 1.04 | 1.04 |

Falcon

High Power COB

WTK-71S | WHK-71S | MO-N71S | MO-R71S

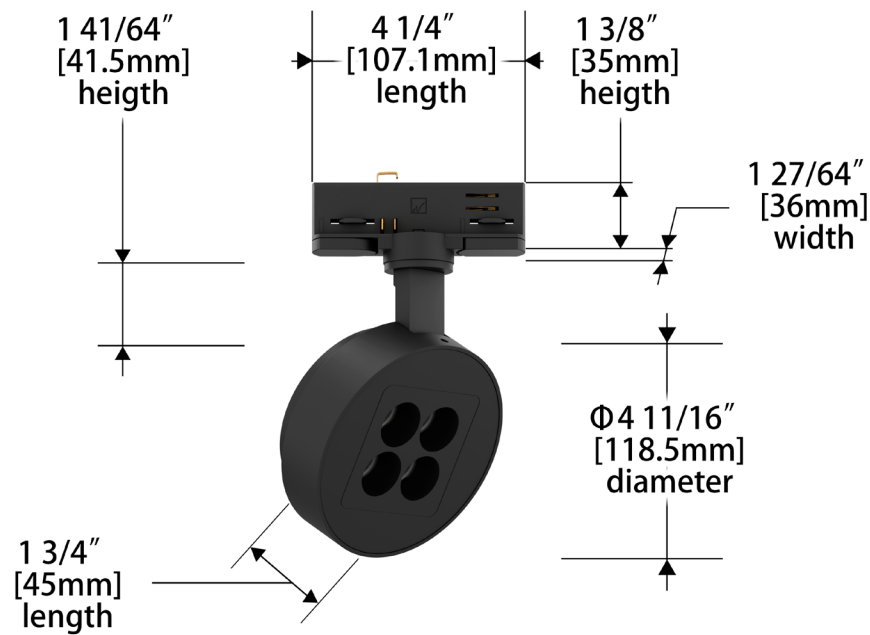
Fixture Type: _____

Project: _____

Catalog#: _____

Location: _____

DIMENSIONAL DIAGRAMS



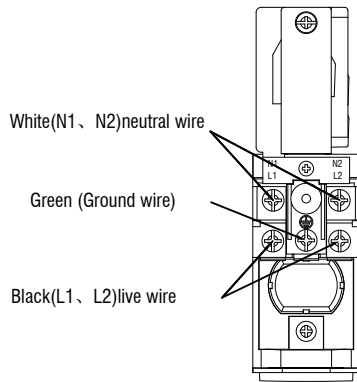
Falcon
High Power COB

WTK-71S | WHK-71S | MO-N71S | MO-R71S

Fixture Type: _____
 Project: _____
 Catalog#: _____
 Location: _____

WIRING DIAGRAM

Schematic diagram of track inlet power connection.



Reference diagram for track and track connector circuit.

