

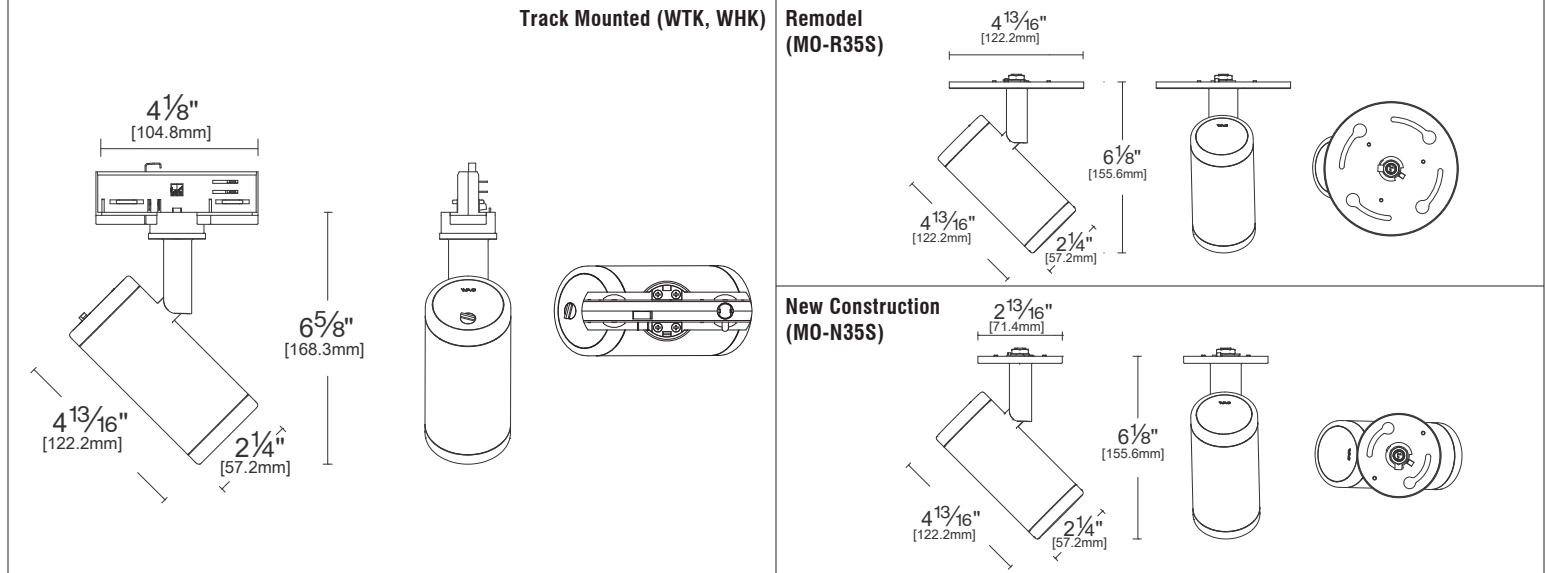
Mere High Power COB

WTK-35S | WHK-35S | MO-N35S | MO-R35S

Fixture Type: _____
 Project: _____
 Catalog#: _____
 Location: _____



LINE DRAWING



PRODUCT DESCRIPTION

Smarter, more flexible, and more versatile MERE track and monopoint lighting. MERE offers a wide range of optical configurations, color temperatures, accessories, and even a DIY intelligent control module.

SPECIFICATIONS

Construction:	Injection molded polycarbonate low glare trim
Mounting:	Track mounted (WTK, WHK); ceiling mounted (MO) Ceiling cut out: Ø4 1/4" (MO-N (Spackle Plate)), MO-R) Ø2 1/4" (MO-N (Non-Spackle Plate)) Accommodates 1/2" - 2" ceiling thickness
Light Source:	High output 3-step Mac Adam Ellipse COB Rated life of 50,000 hours at L70
Input:	Universal 120-277V AC, 50/60 Hz
Power:	10W
Dimming:	Track (120V only): ELV, TRIAC : 100 - 1% Monopoint (120-277 VAC): ELV, TRIAC, 0-10V: 100 - 1%
Operating Temperature:	-4°F to 104°F (-20°C to 40°C)
Standards:	UL & cUL
Warranty:	5 year WAC Lighting guaranteed warranty

BEAM ANGLES



FINISHES



Model	Beam	Wattage	*Lumens Ref Output	*CBCP	Color Temp	CRI
WTK-35S WHK-35S Ø2.24" MO-N35S Ø57mm MO-R35S	S 12°	10W	630	8,703	927 - 2700K 930 - 3000K 935 - 3500K 940 - 4000K	90
	N 19°	10W	670	4,905		
	M 31°	10W	663	2,133		
	F 44°	10W	484	800		
	A Asym	10W	579	1,248		

Lumens and CBCP are reference values for fixtures set to 3000K Color Temperature. Refer to Multiplier Table in Performance Data to determine other outputs.



wacarchitectural.com | WAC Architectural, a WAC Group brand.

WAC Group Headquarters
 44 Harbor Park Drive
 Port Washington, NY 11050

WAC Architectural
 Phone (800) 526.2588
 Fax (800) 526.2585

APR 2026 | P. 1 of 7

WAC GROUP

Mere High Power COB

WTK-35S | WHK-35S | MO-N35S | MO-R35S

Fixture Type: _____
 Project: _____
 Catalog#: _____
 Location: _____

ORDERING INFORMATION

CONFIGURATION TABLE			
Model & Power	Beam Angle	Color Temperature & CRI	Housing Finish
WTK-35S (120V)	S - Spot	927 - 2700K - 90	BK - BLACK
WHK-35S (277V)	N - Narrow Flood	930 - 3000K - 90	WT - WHITE
MO-N35S (120-277V)	M - Medium Flood	935 - 3500K - 90	
MO-R35S (120-277V)	F - Flood	940 - 4000K - 90	
	A - Asym (Wall Wash)		

W_K-35S-_____

Example: WTK-35S-S930WT

MO- 35S-_____

Example: MO-N35S-M930BK

ACCESSORIES	
ACC-LENS-A-35S	WALL WASH LENS 35S
ACC-LENS-EE-35S	ELONGATING BEAM LENS 35S
ACC-LENS-SS-35S	DIFFUSOR LIGHT 35S
ACC-LENS-MM-35S	DIFFUSOR MEDIUM 35S
ACC-LENS-LL-35S	DIFFUSOR HEAVY 35S
ACC-LENS-SQ-35S	SQUARE BEAM LENS 35S
ACC-LENS-S-35S	SPOT BEAM LENS 35S
ACC-LENS-N-35S	NARROW FLOOD BEAM LENS 35S
ACC-LENS-M-35S	MEDIUM FLOOD BEAM LENS 35S
ACC-LENS-F-35S	FLOOD BEAM LENS 35S
ACC-SNT-35S-BK	SNOOT 35S BLACK
ACC-SNT-35S-WT	SNOOT 35S WHITE
ACC-HCL-35S	HONEYCOMB 35S
ACC-BD-35S-BK	BARN DOOR 35S BLACK
ACC-BD-35S-WT	BARN DOOR 35S WHITE

ORDERING NOTES
1. The WTK-35S fixture is 120V and the WHK-35S fixture is 277V. Both fixtures are track mounted.
2. The MO-N35S fixture is a ceiling mounted monopoint fixture for New Construction installations. The MO-R35S fixture is a ceiling mounted monopoint fixture for Remodel installations.

Mere
High Power COB

WTK-35S | WHK-35S | MO-N35S | MO-R35S

Fixture Type: _____
 Project: _____
 Catalog#: _____
 Location: _____

FEATURES

<p>Optics:</p> <ul style="list-style-type: none"> • Fixture features adjustabilities of 0-360° horizontally and 0-90° vertically • Optical accessories feature toolless installation and removal 	<p>Construction:</p> <ul style="list-style-type: none"> • Die-cast aluminum body
<p>LED:</p> <ul style="list-style-type: none"> • High output COB LED with a 3-step Mac Adam ellipse • Rated operational life of 50,000 hours at L70 (LED maintains 70% of its initial delivered lumens when brand new for 50,000 hours of use.) 	<p>Trim and Reflector:</p> <ul style="list-style-type: none"> • Five beam angles are available: Spot, Narrow Flood, Medium Flood, Flood, and Asymmetric (Wall Wash)
<p>Electrical:</p> <ul style="list-style-type: none"> • Input power is universal 120-277VAC, 50/60 Hz • Available at a 10W power level 	<p>Installation:</p> <ul style="list-style-type: none"> • Suitable for W track systems
<p>Dimming:</p> <ul style="list-style-type: none"> • Electronic low voltage (ELV), TRIAC, and 0-10V dimming available • ELV, TRIAC, and 0-10V dimming is capable of a range of 100 - 1% 	<p>Warranty:</p> <ul style="list-style-type: none"> • WAC Architectural limited warranty up to 5 years • Full warranty found at: wacighting.com/warranty
<p>Notes:</p> <ul style="list-style-type: none"> • The White and Black finishes for the body are electrostatically powder coated 	

Mere High Power COB

WTK-35S | WHK-35S | MO-N35S | MO-R35S

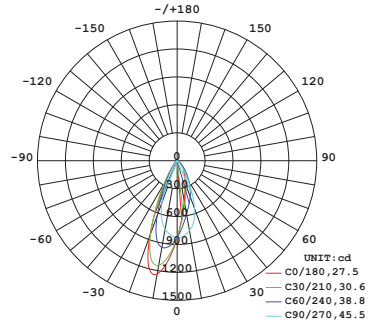
Fixture Type: _____
 Project: _____
 Catalog#: _____
 Location: _____

PERFORMANCE DATA

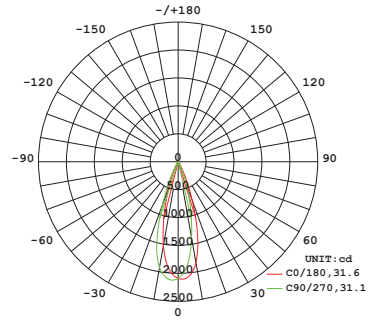
Polar Candela Distribution Charts

Samples shown with a 11W fixture set to 3000K.

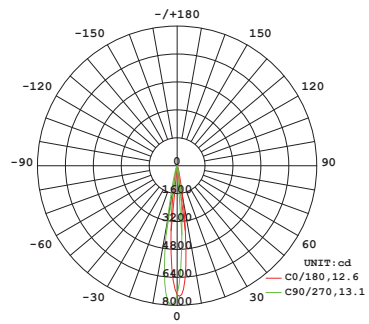
Wall Wash Beam: Asymmetric



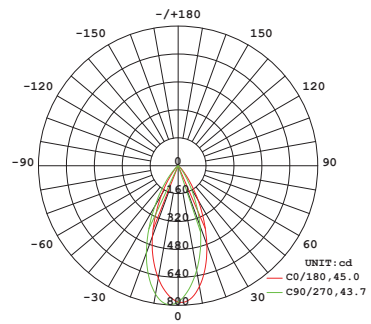
Medium Flood Beam: 31° Beam



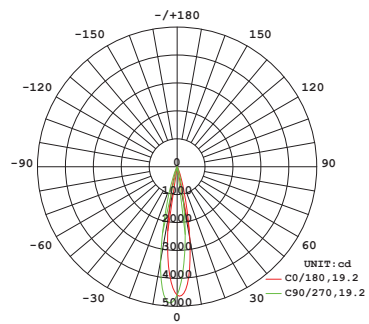
Spot Beam: 12° Beam



Flood Beam: 44° Beam



Narrow Flood Beam: 19° Beam



Mere
High Power COB

WTK-35S | WHK-35S | MO-N35S | MO-R35S

Fixture Type: _____
 Project: _____
 Catalog#: _____
 Location: _____

PERFORMANCE DATA

Unified Glare Rating (UGR) Table

General performance of fixtures at 3000K and 90 CRI shown below.

Round Fixture	Angle	UGR Range
Wall Wash	Asymmetric	≤20
Spot	12°	≤12
Narrow Flood	19°	≤10
Medium Flood	31°	≤15
Flood	44°	≤23

Lumens and CBCP Multiplier Table

Use the below table to determine lumens and CBCP values for the combinations of power, color temperature, and CRI values.

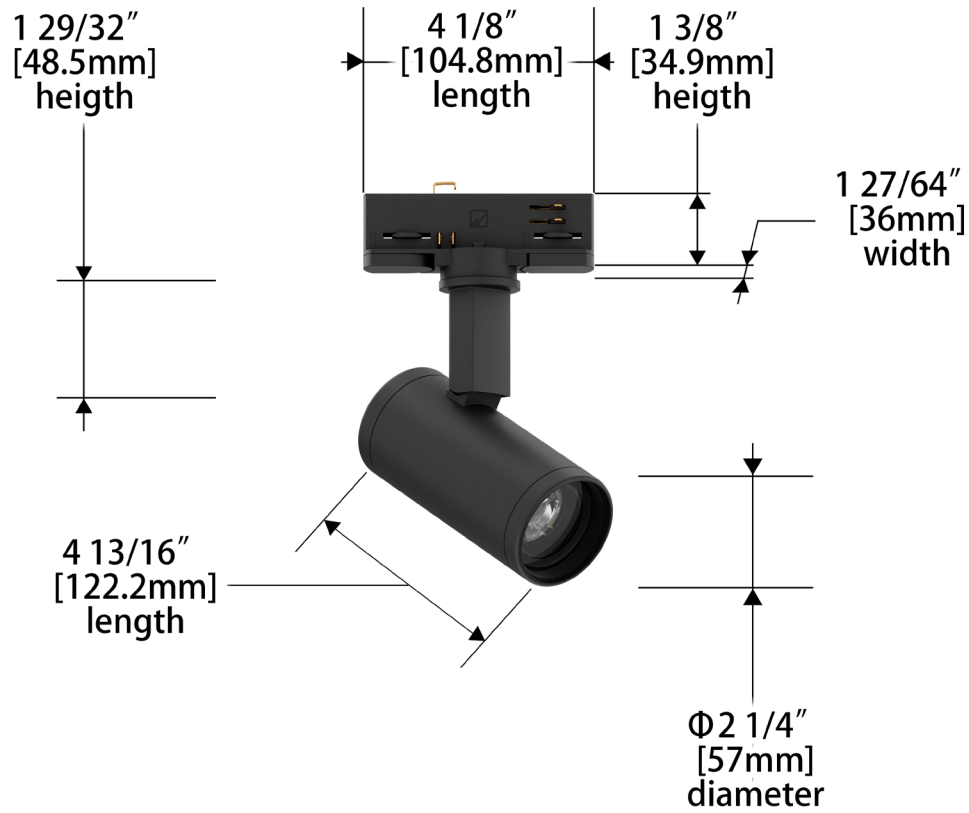
Color Temperature			
2700K	3000K	3500K	4000K
0.93	1.00	1.07	1.14

Mere
High Power COB

WTK-35S | WHK-35S | MO-N35S | MO-R35S

Fixture Type: _____
Project: _____
Catalog#: _____
Location: _____

DIMENSIONAL DIAGRAMS



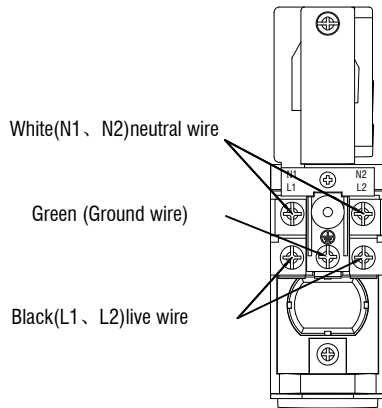
Mere High Power COB

WTK-35S | WHK-35S | MO-N35S | MO-R35S

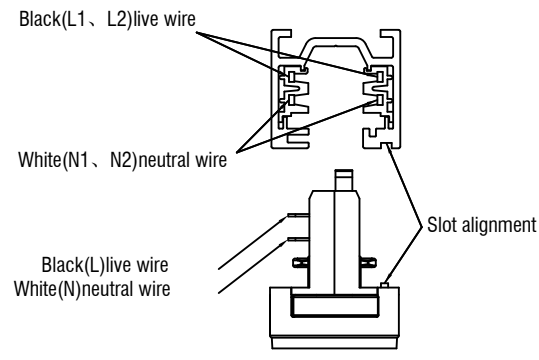
Fixture Type: _____
 Project: _____
 Catalog#: _____
 Location: _____

WIRING DIAGRAM

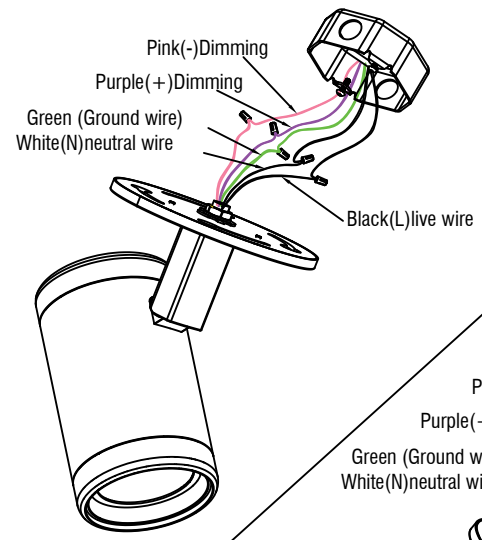
Schematic diagram of track inlet power connection.



Reference diagram for track and track connector circuit.



REMODEL



NEW CONSTRUCTION

