

AETHER

Atomic - Downlight

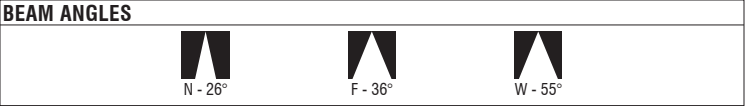
R1ARDT | R1ARDL | R1ASDT | R1ASDL

Fixture Type: _____
 Project: _____
 Catalog#: _____
 Location: _____



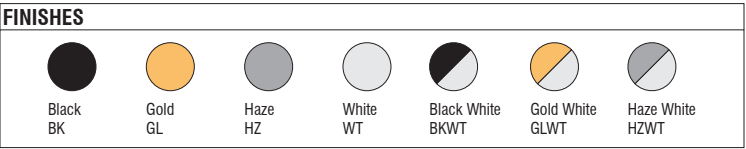
PRODUCT DESCRIPTION

Minuscule and mighty, peerless and powerful, the new potent Aether Atomic launches into the light. An engineering recessed marvel for next generation futurists. Sublime and serviceable, it's an icon for the ages. Atomic breaks the mold with robust illumination from a diminutive aperture, for a clean, quiet ceiling.



SPECIFICATIONS

Construction:	Injection molded polycarbonate low glare trim
Mounting:	Heavy gauge retention clips support trim firmly Ceiling cut out (Round): Trim \varnothing 1 1/4" \bigcirc Trimless \varnothing 1 1/4" \bigcirc Ceiling cut out (Square): Trim 1 1/4" x 1 1/4" \square Trimless 1 1/4" x 1 1/4" \square Accommodates 1/2" - 2" ceiling thickness
Light Source:	High output 3-step Mac Adam Ellipse COB Rated life of 50,000 hours at L70
Input:	Universal 120-277V AC, 50/60 Hz
Dimming:	ELV, TRIAC, and 0-10V: 100 - 1%
Maximum Delivered Intensity:	Up to 3,374 cd (Round Narrow Flood 26°, 4000K)
Maximum Delivered Output:	Up to 1,094 lm (Round Flood 36°, 4000K)
Operating Temperature:	-4°F to 104°F (-20°C to 40°C)
Standards:	ETL & cETL Wet location listed, IC rated Airtight, Title 24 JA8 Compliant
Warranty:	5 year WAC Lighting guaranteed warranty



Model	Beam	Lumens Ref Output*	CBCP	Color Temp	CRI
R1ARDT Round Trim	N 26°	Round	945	2960	927 - 2700K 930 - 3000K 935 - 3500K 940 - 4000K WD - 3000K-1800K
		Square	910	2940	
R1ARDL Round Trimless	F 36°	Round	960	2470	
		Square	950	2445	
R1ASDT Square Trim	W 55°	Round	815	785	
R1ASDL Square Trimless		Square	830	780	

Lumens and CBCP are reference values for fixtures set to 3000K Color Temperature. Refer to Multiplier Table in Performance Data to determine other outputs.



WAC Group retains the right to modify the design of our products at any time as part of the company's continuous improvement program.

AETHER

Atomic - Downlight

R1ARDT | R1ARDL | R1ASDT | R1ASDL

Fixture Type: _____

Project: _____

Catalog#: _____

Location: _____

ORDERING INFORMATION

CONFIGURATION TABLE	
Model & Power	Finishes
Trim R1ARDT R1ASDT	BKWT - BLACK GLWT - GOLD HZWT - HAZE WT - WHITE
Trimless R1ARDL R1ASDL	BK - BLACK GL - GOLD HZ - HAZE WT - WHITE

R1A ____ - ____
 Example: R1ARDT-BKWT
 R1ARDL-BK

HOUSINGS (Required)		
Model	Power	Color Temperature & CRI
IC-Rated, Airtight Round Trim R1ARNT	11W	927 - 2700K - 90 930 - 3000K - 90 935 - 3500K - 90 940 - 4000K - 90 WD - 3000K-1800K - 90
IC-Rated, Airtight Square Trim R1ASNT	11W	927 - 2700K - 90 930 - 3000K - 90 935 - 3500K - 90 940 - 4000K - 90 WD - 3000K-1800K - 90
IC-Rated, Airtight Round Trimless R1ARRL	11W	927 - 2700K - 90 930 - 3000K - 90 935 - 3500K - 90 940 - 4000K - 90 WD - 3000K-1800K - 90
IC-Rated, Airtight Square Trimless R1ASRL	11W	927 - 2700K - 90 930 - 3000K - 90 935 - 3500K - 90 940 - 4000K - 90 WD - 3000K-1800K - 90

POWER SUPPLIES (Required)		
Model	Input	Output
PS-0600A-UR1	120V-277V	1 Channel UL Class 2
PS-0600A-UR6	120V-277V	6 Channels UL Class 2

PS-0600A-UR_
 Example: PS-0600A-UR1

Accessories	
Model	Description
R1A-TOOL	Service tool for removing trim and light engine

R1A ____ - ____
 Example: R1ARRL-927

ORDERING NOTES
1. Both reflector options (N-26° and F-32°) are included. 2. The Dim-to-Warm option (WD) is not usable with the Narrow Flood (26°) beam angle.

wacarchitectural.com | WAC Architectural, a WAC Group brand.

WAC Group Headquarters
 44 Harbor Park Drive
 Port Washington, NY 11050

WAC Architectural
 Phone (800) 526.2588
 Fax (800) 526.2585

APR 2026 | P. 2 of 8

WAC GROUP

AETHER

Atomic - Downlight

R1ARDT | R1ARDL | R1ASDT | R1ASDL

Fixture Type: _____

Project: _____

Catalog#: _____

Location: _____

FEATURES

<p>Optics:</p> <ul style="list-style-type: none"> • Strong lumen output from ½” or 1” aperture • Up to 626 lumens at 3000K and 667 lumens at 4000K • Removable and replaceable light engine 	<p>Construction:</p> <ul style="list-style-type: none"> • Injection molded polycarbonate trim produces low glare • Low profile housing for installation in shallow plenums
<p>LED:</p> <ul style="list-style-type: none"> • High output COB LED with a 3-step Mac Adam ellipse • Rated operational life of 50,000 hours at L70 (LED maintains 70% of its initial delivered lumens when brand new for 50,000 hours of use.) 	<p>Trim and Reflector:</p> <ul style="list-style-type: none"> • Field changeable beam angle with reflectors that are provided with every fixture
<p>Electrical:</p> <ul style="list-style-type: none"> • Aether Atomic is compatible with 120-277 VAC, 50/60 Hz • Aether Atomic is only available in an 11W power level 	<p>Installation:</p> <ul style="list-style-type: none"> • Requires housing for installation • Trim and trimless Aether Atomic housings are all IC-rated • Aether Atomic housings are suitable for drywall and grid ceilings between ½” - ¾” thick and wood ceilings between ½” - 2” thick.
<p>Dimming:</p> <ul style="list-style-type: none"> • Electronic Low Voltage (ELV), TRIAC, and 0-10V dimming are available • Each dimming option is capable of a 100 - 1% range 	<p>Warranty:</p> <ul style="list-style-type: none"> • WAC Architectural limited warranty up to 5 years • Full warranty found at: wacighting.com/warranty
<p>Notes:</p> <ul style="list-style-type: none"> • Trim and trimless fixtures of the same shape (Round/Square) have the same performance. Minor variations occur due to fixture shape. • The White and Black finishes are powder coated while the Haze is enamel coated and the Copper Bronze is plated and brushed. • The Aether Atomic service tool (R1A-TOOL) is required for fixture angle adjustment and trim and light engine removal. 	

AETHER

Atomic - Downlight

R1ARDT | R1ARDL | R1ASDT | R1ASDL

Fixture Type: _____

Project: _____

Catalog#: _____

Location: _____

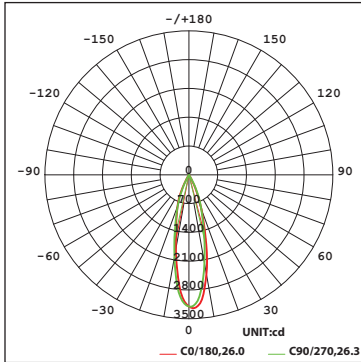
PERFORMANCE DATA

Polar Candela Distribution Charts

Samples shown with a 11W fixture with a Black finished reflector set to 3000K.

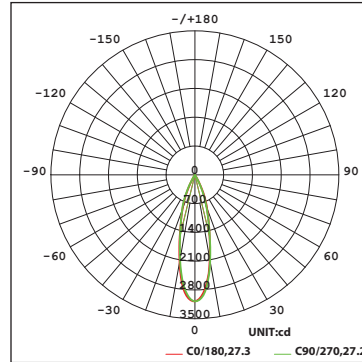
ROUND

Narrow Flood Beam: 26° Beam

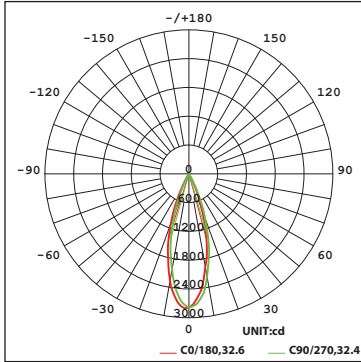


SQUARE

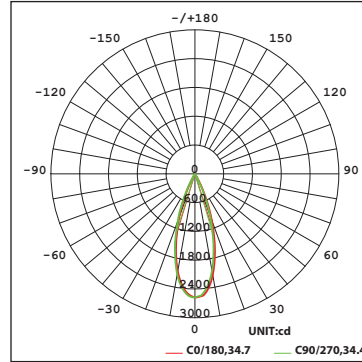
Narrow Flood Beam: 26° Beam



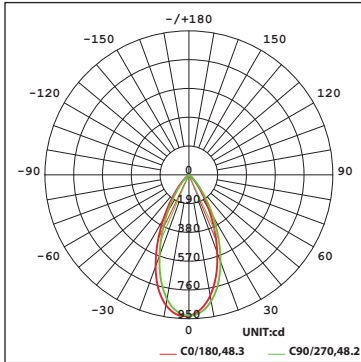
Flood Beam: 36° Beam



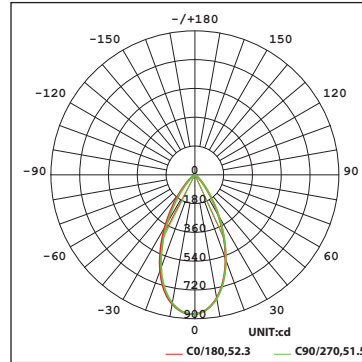
Flood Beam: 36° Beam



Wide Flood Beam: 55° Beam



Wide Flood Beam: 55° Beam



AETHER

Atomic - Downlight

R1ARDT | R1ARDL | R1ASDT | R1ASDL

Fixture Type: _____

Project: _____

Catalog#: _____

Location: _____

PERFORMANCE DATA

Unified Glare Rating (UGR) Table

UGR values shown are calculated at 3000K and 90 CRI. General performance of beam angles shown below.

Round Fixture	Angle	UGR Range
Narrow Flood	26°	≤0
Flood	36°	≤0
Wide Flood	55°	≤9

Square Fixture	Angle	UGR Range
Narrow Flood	26°	≤0
Flood	36°	≤0
Wide Flood	55°	≤11

Lumens and CBCP Multiplier Table

Use the below table to determine lumens and CBCP values for the combinations of power, color temperature, and CRI values.

Color Temperature			
2700K	3000K	3500K	4000K
0.93	1.00	1.07	1.14

AETHER

Atomic - Downlight

R1ARDT | R1ARDL | R1ASDT | R1ASDL

Fixture Type: _____

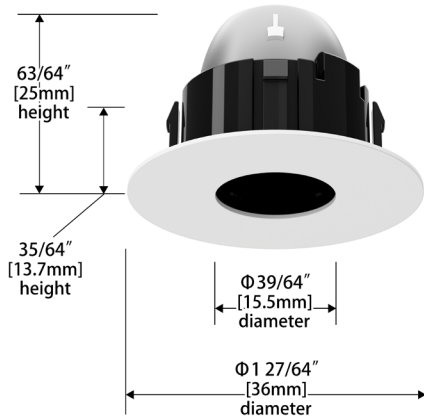
Project: _____

Catalog#: _____

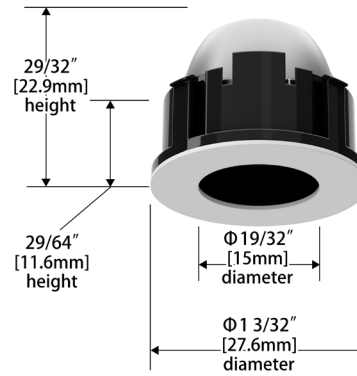
Location: _____

DIMENSIONAL DIAGRAMS

Trim



Trimless



AETHER

Atomic - Downlight

R1ARDT | R1ARDL | R1ASDT | R1ASDL

Fixture Type: _____

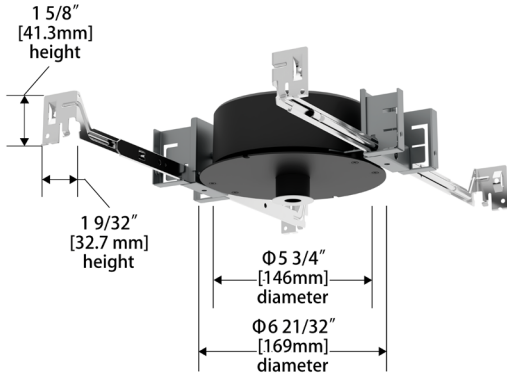
Project: _____

Catalog#: _____

Location: _____

DIMENSIONAL DIAGRAMS

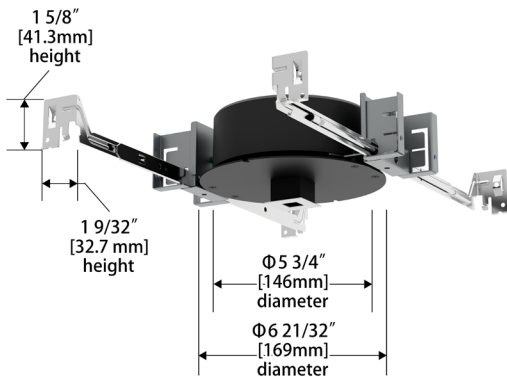
New Construction - Round Trim



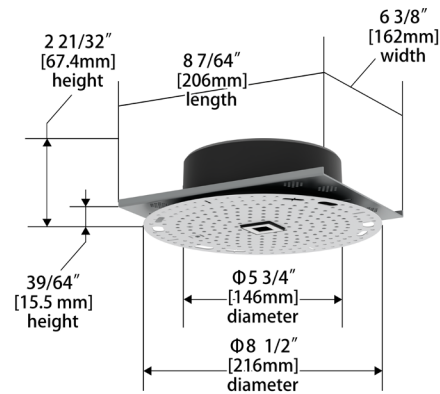
New Construction - Round Trimless



New Construction - Square Trim



New Construction - Square Trimless



AETHER

Atomic - Downlight

R1ARDT | R1ARDL | R1ASDT | R1ASDL

Fixture Type: _____

Project: _____

Catalog#: _____

Location: _____

WIRING DIAGRAMS

