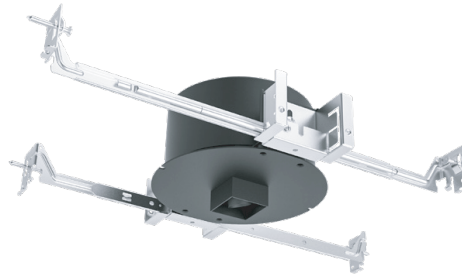
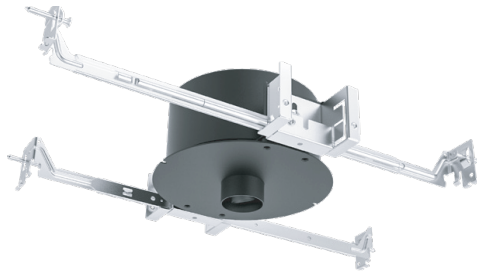


# Aether Atomic

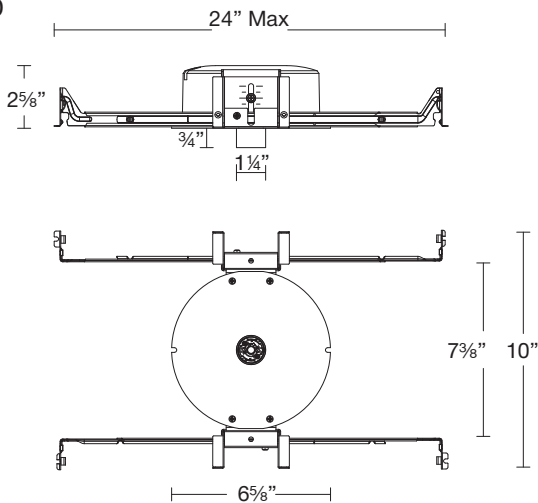
## Round and Square Trimmed Downlight Housing

R1ARNT | R1ASNT

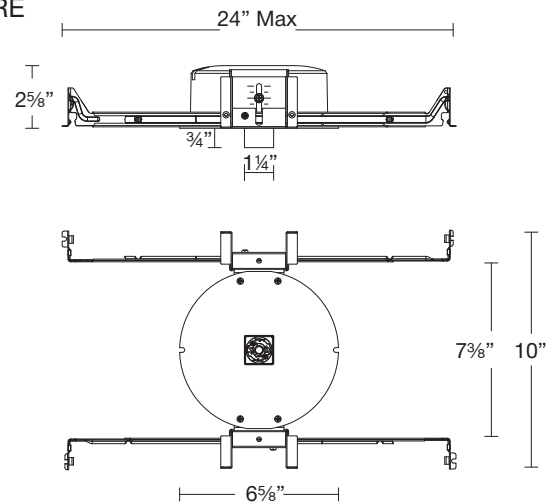
Fixture Type: \_\_\_\_\_  
 Project: \_\_\_\_\_  
 Catalog#: \_\_\_\_\_  
 Location: \_\_\_\_\_



### ROUND



### SQUARE



### PRODUCT DESCRIPTION

Minuscule and mighty, peerless and powerful, the new potent Aether Atomic launches into the light. An engineering recessed marvel for next generation futurists. Sublime and serviceable, it's an icon for the ages. Atomic breaks the mold with robust illumination from a diminutive aperture, for a clean, quiet

### SPECIFICATIONS

- Construction:** Durable die-cast aluminum housing
- Dimming:** ELV, TRIAC, and 0-10V: 100 - 1%
- Input Power:** 11W
- Light Source:** High output 3-step Mac Adam Ellipse COB  
Rated life of 50,000 hours at L70
- Mounting:** Suitable for installations on grid, wood, or drywall ceilings  
Drywall and Grid: Accommodates 1/2" - 3/4" ceiling thickness  
Wood: Accommodates 1/2" - 2" ceiling thickness
- Standards:** ETL & cETL Damp location listed, IC rated Airtight, Title 24 JA8 Compliant
- Warranty:** 5 year WAC Lighting guaranteed warranty



# Aether Atomic

## Round and Square Trimmed Downlight Housing

R1ARNT | R1ASNT

Fixture Type: \_\_\_\_\_  
 Project: \_\_\_\_\_  
 Catalog#: \_\_\_\_\_  
 Location: \_\_\_\_\_

### ORDERING INFORMATION

#### HOUSINGS

Model	Power	Color Temp	CRI	Rating
Round Trimmed, Airtight <b>R1ARNT</b>	11W	<b>927</b> 2700K	90	IC
		<b>930</b> 3000K	90	IC
		<b>935</b> 3500K	90	IC
Square Trimmed, Airtight <b>R1ASNT</b>	11W	<b>940</b> 4000K	90	IC
		<b>WD</b> 3000K-1800K	90	IC

R1A \_\_\_ - \_\_\_

Example: R1ARNT-927

#### REMOTE POWER SUPPLY (Required)

Model	Input	Output	Dimmable	Dimensions
<b>PS-0600A-UR1</b>	120V-277V	1 Channel UL Class 2	ELV, TRIAC, 0-10V 100 - 1%	8 <sup>3</sup> / <sub>4</sub> " x 2" x 1 <sup>3</sup> / <sub>8</sub> "
<b>PS-0600A-UR6</b>	120V-277V	6 Channel UL Class 2	ELV, TRIAC, 0-10V 100 - 1%	10 <sup>7</sup> / <sub>8</sub> " x 3 <sup>7</sup> / <sub>8</sub> " x 1 <sup>3</sup> / <sub>8</sub> "

#### ACCESSORIES (Sold Separately)

Model	Description
<b>R1A-TOOL</b>	Service tool for removing trim and light engine. Required for Adjustable fixtures and housings.

#### REPLACEMENT LIGHT ENGINE

- RPL-R1A-MOD-927**
- RPL-R1A-MOD-930**
- RPL-R1A-MOD-935**
- RPL-R1A-MOD-940**
- RPL-R1A-MOD-WD**