

## Multi Stealth

### Adjustable

R1GAT | R1GAL

Fixture Type: \_\_\_\_\_

Project: \_\_\_\_\_

Catalog#: \_\_\_\_\_

Location: \_\_\_\_\_



**PRODUCT DESCRIPTION**  
 Multi Stealth Recessed features a quiet aperture for a nearly glare-free environment. Its linear multi-cell form factor features a 1.5" aperture, with availability in up to 5 lengths. This series offers a downlight with 40° visual cutoff, an adjustable option with 35° bidirectional tilt, and a wall washer with specialized optics for even wall illumination. Trimmed and trimless options allow flexibility when integrating into building architecture.

**SPECIFICATIONS**

**Construction:** Extruded aluminum construction with die-cast end caps

**Mounting:** Heavy gauge retention clips support trim firmly. Trimless body is supported by tool-less push mechanism. Safety cabling standard from housing. Ceiling cutout information found in Performance Data. Accommodates 1/2" - 1 1/2" ceiling thickness.

**Light Source:** High output 3-step Mac Adam Ellipse SMD LED  
 Rated life of 50,000 hours at L70

**Input:** Universal 120-277V AC, 50/60 Hz

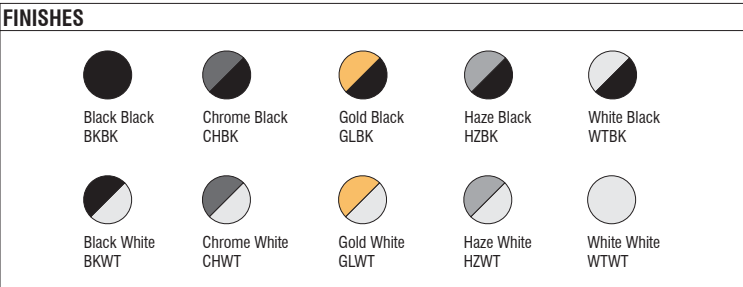
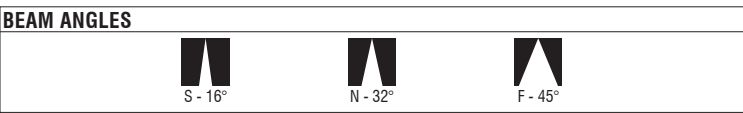
**Dimming:** 0-10V: 100-1%  
 Electronic Low Voltage (ELV), TRIAC: 100-5%

**Maximum Delivered Intensity:** Up to 16,055 cd (12 Cell, Spot 16°, 4000K, CRI 90)

**Maximum Delivered Output:** Up to 3,595 lm (12 Cell, Narrow 32°, 4000K, CRI 90)

**Standards:** ETL & cETL Damp location listed, Energy Star® 2.1  
 Title 24 JA8 Compliant

**Warranty:** 5 year WAC Lighting guaranteed warranty



Model	Size	Beam	*Lumens	*CBCP
R1GAT Trim R1GAL Trimless	02 2 Cell	S 16°	530	2285
		N 32°	550	1290
		F 45°	530	880
	04 4 Cell	S 16°	1030	4700
		N 32°	1070	2410
		F 45°	1070	1800
	06 6 Cell	S 16°	1610	7100
		N 32°	1640	3685
		F 45°	1650	2890
	08 8 Cell	S 16°	2200	9905
		N 32°	2230	5180
		F 45°	2210	3815
12 12 Cell	S 16°	3270	14070	
	N 32°	3360	7610	
	F 45°	3340	5675	

\*Lumens and CBCP are reference values for 3000K Color Temperature and 90 CRI. Refer to Multiplier Table in Performance Data to determine other outputs. Line drawings and measurements for each size and trim are available in Performance Data.

## Multi Stealth

Adjustable

R1GAT | R1GAL

Fixture Type: \_\_\_\_\_

Project: \_\_\_\_\_

Catalog#: \_\_\_\_\_

Location: \_\_\_\_\_

### ORDERING INFORMATION

CONFIGURATION TABLE					
Model & Power	Size	Beam	Color Temperature & CRI	Reflector Finish	Trim Finish
<b>R1GAL</b> (Trimless)	<b>02</b> - 2 CELL	<b>S:</b> Spot - 16°	<b>927</b> - 2700K - 90	<b>BK</b> - BLACK	<b>BK</b> - BLACK
<b>R1GAT</b> (Trim)	<b>04</b> - 4 CELL	<b>N:</b> Narrow Flood - 32°	<b>930</b> - 3000K - 90	<b>CH</b> - CHROME	<b>WT</b> - WHITE
	<b>06</b> - 6 CELL	<b>F:</b> Flood - 45°	<b>935</b> - 3500K - 90	<b>GL</b> - GOLD	
	<b>08</b> - 8 CELL		<b>940</b> - 4000K - 90	<b>HZ</b> - HAZE	
	<b>12</b> - 12 CELL			<b>WT</b> - WHITE	

**R1GA** \_\_\_ - \_\_\_ - \_\_\_ Example: R1GAL08-N940-BK  
R1GAT08-N940-BKBK

HOUSINGS (Required)					
Model	Trim	Size	Wattage	Rating	
New Construction Airtight	<b>R1GN</b>	<b>02</b> 2 CELL	8W	IC	
		<b>04</b> 4 CELL	14W	IC	
		<b>06</b> 6 CELL	20W	IC	
		<b>08</b> 8 CELL	27W	IC	
		<b>12</b> 12 CELL	38W	Non-IC	
Remodel Trim Fixtures Only	<b>R1GR</b>	<b>02</b> 2 CELL	8W	Non-IC	
		<b>04</b> 4 CELL	14W	Non-IC	
		<b>06</b> 6 CELL	20W	Non-IC	
		<b>08</b> 8 CELL	27W	Non-IC	
		<b>12</b> 12 CELL	38W	Non-IC	

### ORDERING NOTES

- Trim fixtures (R1GAT) must be ordered with a trim finish.
- Remodel housings (R1GRT) are only compatible with trim fixtures (R1GAT).

Multi Stealth  
Adjustable  
R1GAT | R1GAL

Fixture Type: \_\_\_\_\_  
Project: \_\_\_\_\_  
Catalog#: \_\_\_\_\_  
Location: \_\_\_\_\_

**FEATURES**

<p><b>Optics:</b></p> <ul style="list-style-type: none"> <li>• Fixture features 1.5" apertures with glare free capabilities due to a 40° visual cutoff</li> <li>• Adjustable up to a 35° bidirectional tilt</li> </ul>	<p><b>Construction:</b></p> <ul style="list-style-type: none"> <li>• Extruded aluminum body with die-cast caps on each end of the fixture</li> </ul>
<p><b>LED:</b></p> <ul style="list-style-type: none"> <li>• High output discrete LED with a 3-step Mac Adam ellipse</li> <li>• Rated operational life of 50,000 hours at L70 (LED maintains 70% of its initial delivered lumens when brand new for 50,000 hours of use.)</li> </ul>	<p><b>Trim and Reflector:</b></p> <ul style="list-style-type: none"> <li>• Three beam angles are available: Spot, Narrow Flood, and Flood</li> </ul>
<p><b>Electrical:</b></p> <ul style="list-style-type: none"> <li>• Input power is universal 120-277VAC, 50/60 Hz</li> <li>• Available in 8W, 14W, 20W, 27W, and 38W housings</li> </ul>	<p><b>Installation:</b></p> <ul style="list-style-type: none"> <li>• 2, 4, 6, and 8 cell fixtures are supplied with two mounting spring clips at each end of the fixture body</li> <li>• 12 cell fixtures have four mounting spring clips on each side of the fixture body</li> </ul>
<p><b>Dimming:</b></p> <ul style="list-style-type: none"> <li>• Electronic low voltage (ELV), TRIAC, and 0-10V dimming available</li> <li>• ELV and TRIAC dimming is capable of a range of 100 - 5%</li> <li>• 0-10V dimming is capable of a range of 100 - 1%</li> </ul>	<p><b>Warranty:</b></p> <ul style="list-style-type: none"> <li>• WAC Architectural limited warranty up to 5 years</li> <li>• Full warranty found at: <a href="http://wacighting.com/warranty">wacighting.com/warranty</a></li> </ul>
<p><b>Notes:</b></p> <ul style="list-style-type: none"> <li>• The White and Black finishes for the body are electrostatically powder coated</li> <li>• The White, Black, Chrome, Gold, and Haze trim finishes are injection molded polycarbonate bevels</li> </ul>	

## Multi Stealth

Adjustable

R1GAT | R1GAL

Fixture Type: \_\_\_\_\_

Project: \_\_\_\_\_

Catalog#: \_\_\_\_\_

Location: \_\_\_\_\_

### PERFORMANCE DATA

Size	Trim (R1GAT)	Trimless (R1GAL)
<b>02</b> 2 Cells		
<b>04</b> 4 Cells		
<b>06</b> 6 Cells		
<b>08</b> 8 Cells		
<b>12</b> 12 Cells		

## Multi Stealth

Adjustable

R1GAT | R1GAL

Fixture Type: \_\_\_\_\_

Project: \_\_\_\_\_

Catalog#: \_\_\_\_\_

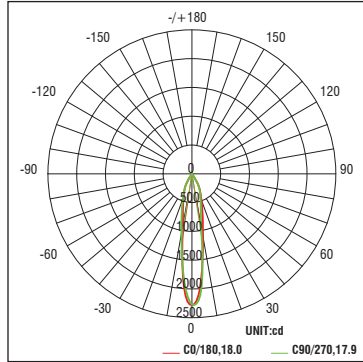
Location: \_\_\_\_\_

### PERFORMANCE DATA

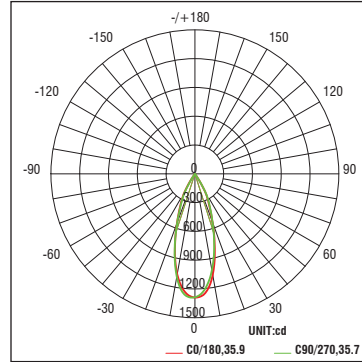
#### Polar Candela Distribution Charts

Samples shown with 2 cell sized (R1GAL02) Black finished fixture set to 3000K and 90 CRI.

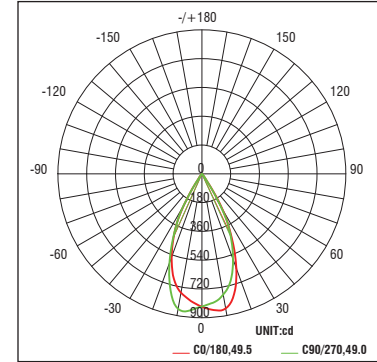
**Spot Beam: 16° Beam**



**Narrow Flood Beam: 32° Beam**



**Flood Beam: 45° Beam**



#### Lumens and CBCP Multiplier Table

Use the below table to determine lumens and CBCP values for the combinations of power, color temperature, and CRI values.

Color Temperature			
927	930	935	940
0.95	1.00	1.05	1.07

# Multi Stealth

Adjustable

R1GAT | R1GAL

Fixture Type: \_\_\_\_\_

Project: \_\_\_\_\_

Catalog#: \_\_\_\_\_

Location: \_\_\_\_\_

## PERFORMANCE DATA

### Unified Glare Rating (UGR) Table

General performance of a fixture set to 3000K and 90 CRI shown below.

Beam	Size	UGR Range
<b>Spot - 16°</b>	02 2 CELL	≤0
	04 4 CELL	≤3
	06 6 CELL	≤5
	08 8 CELL	≤7
	12 12 CELL	≤8
<b>Narrow Flood - 32°</b>	02 2 CELL	≤1
	04 4 CELL	≤4
	06 6 CELL	≤5
	08 8 CELL	≤7
	12 12 CELL	≤8
<b>Flood - 45°</b>	02 2 CELL	≤2
	04 4 CELL	≤5
	06 6 CELL	≤6
	08 8 CELL	≤8
	12 12 CELL	≤10

# Multi Stealth

Adjustable

R1GAT | R1GAL

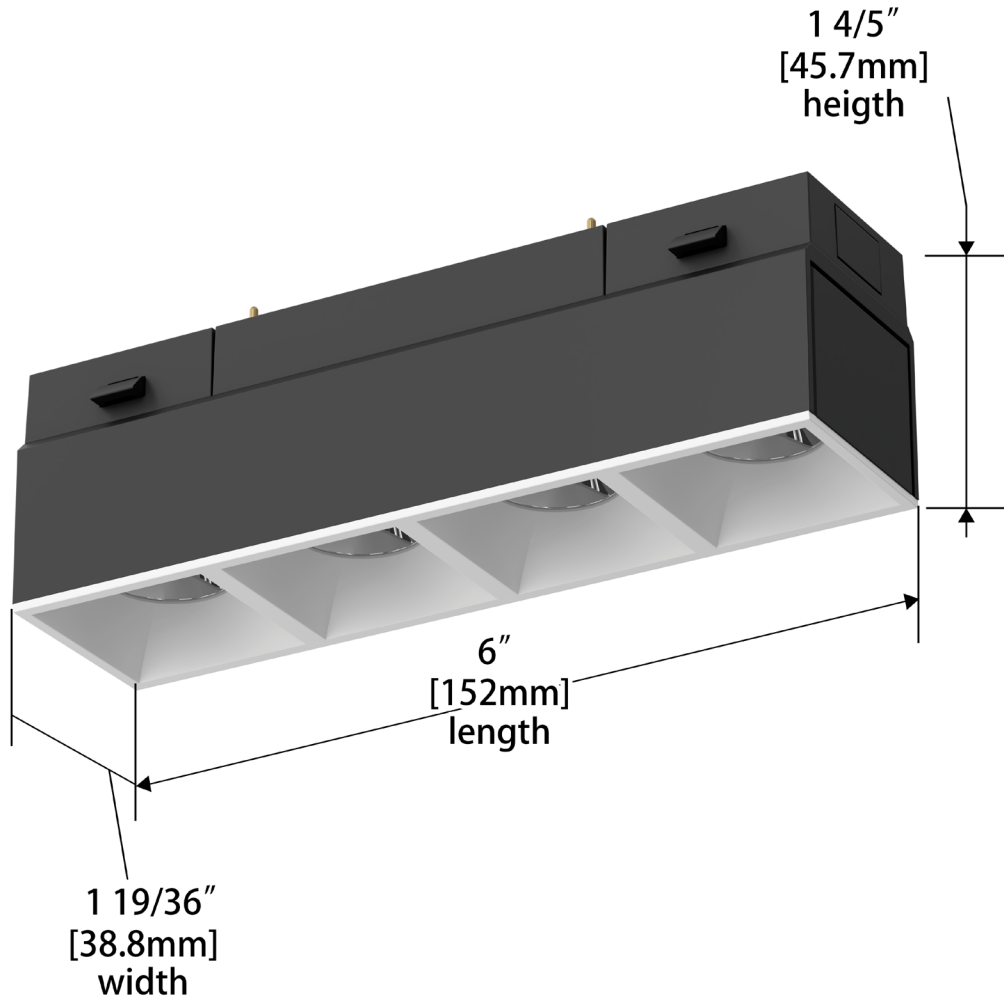
Fixture Type: \_\_\_\_\_

Project: \_\_\_\_\_

Catalog#: \_\_\_\_\_

Location: \_\_\_\_\_

## DIMENSIONAL DIAGRAMS



# Multi Stealth

Adjustable

R1GAT | R1GAL

Fixture Type: \_\_\_\_\_

Project: \_\_\_\_\_

Catalog#: \_\_\_\_\_

Location: \_\_\_\_\_

## WIRING DIAGRAMS

