

Multi Stealth Downlight

R1GDT | R1GDL

Fixture Type: _____
 Project: _____
 Catalog#: _____
 Location: _____



PRODUCT DESCRIPTION

Multi Stealth Recessed features a quiet aperture for a nearly glare-free environment. Its linear multi-cell form factor features a 1.5" aperture, with availability in up to 5 lengths. This series offers a downlight with 40° visual cutoff, an adjustable option with 35° bidirectional tilt, and a wall washer with specialized optics for even wall illumination. Trimmed and trimless options allow flexibility when integrating into building architecture.

SPECIFICATIONS

Construction:	Extruded aluminum construction with die-cast end caps
Mounting:	Heavy gauge retention clips support trim firmly. Safety cabling standard from housing. Ceiling cutout information found in Performance Data. Accommodates 1/2" - 1 1/2" ceiling thickness.
Light Source:	High output 3-step Mac Adam Ellipse SMD LED Rated life of 50,000 hours at L70
Input:	Universal 120-277V AC, 50/60 Hz
Dimming:	0-10V: 100-1% Electronic Low Voltage (ELV), TRIAC: 100-5%
Maximum Delivered Intensity:	Up to 16,055 cd (12 Cell, Spot 16°, 4000K, CRI 90)
Maximum Delivered Output:	Up to 3,595 lm (12 Cell, Narrow 32°, 4000K, CRI 90)
Standards:	ETL & cETL Damp location listed, Energy Star® 2.1 Title 24 JA8 Compliant
Warranty:	5 year WAC Lighting guaranteed warranty

BEAM ANGLES



S - 16°



N - 32°



F - 45°

FINISHES



Black Black
BKBK



Chrome Black
CHBK



Gold Black
GLBK



Haze Black
HZBK



White Black
WTBK



Black White
BKWT



Chrome White
CHWT



Gold White
GLWT



Haze White
HZWT



White White
WTWT

Model	Size	Beam	*Lumens	*CBCP
R1GDT Trim R1GDL Trimless	02 2 Cell	S 16°	530	2285
		N 32°	550	1290
		F 45°	530	880
	04 4 Cell	S 16°	1030	4700
		N 32°	1070	2410
		F 45°	1070	1800
	06 6 Cell	S 16°	1610	7100
		N 32°	1640	3685
		F 45°	1650	2890
	08 8 Cell	S 16°	2200	9905
		N 32°	2230	5180
		F 45°	2210	3815
	12 12 Cell	S 16°	3270	14070
		N 32°	3360	7610
		F 45°	3340	5675

*Lumens and CBCP are reference values for 3000K Color Temperature and 90 CRI. Refer to Multiplier Table in Performance Data to determine other outputs. Line drawings and measurements for each size and trim are available in Performance Data.

Multi Stealth Downlight R1GDT | R1GDL

Fixture Type: _____
 Project: _____
 Catalog#: _____
 Location: _____

ORDERING INFORMATION

CONFIGURATION TABLE					
Model & Power	Size	Beam	Color Temperature & CRI	Reflector Finish	Trim Finish
R1GDL (Trimless) R1GDT (Trim)	02 - 2 CELL	S: Spot - 16°	927 - 2700K - 90	BK - BLACK	BK - BLACK
	04 - 4 CELL	N: Narrow Flood - 32°	930 - 3000K - 90	CH - CHROME	WT - WHITE
	06 - 6 CELL	F: Flood - 45°	935 - 3500K - 90	GL - GOLD	
	08 - 8 CELL		940 - 4000K - 90	HZ - HAZE	
	12 - 12 CELL			WT - WHITE	

R1GD ___ - ___ - ___ Example: R1GDL08-N940-BK
 R1GDT08-N940-BK BK

HOUSINGS (Required)					
Model	Trim	Size	Wattage	Rating	
New Construction Airtight R1GN	T <i>Trim</i> L <i>Trimless</i>	02 2 CELL	8W	IC	
		04 4 CELL	14W	IC	
		06 6 CELL	20W	IC	
		08 8 CELL	27W	IC	
		12 12 CELL	38W	Non-IC	
Remodel Trim Fixtures Only R1GR	T <i>Trim</i>	02 2 CELL	8W	Non-IC	
		04 4 CELL	14W	Non-IC	
		06 6 CELL	20W	Non-IC	
		08 8 CELL	27W	Non-IC	
		12 12 CELL	38W	Non-IC	

ORDERING NOTES

- Trim fixtures (R1GDT) must be ordered with a trim finish.
- Remodel housings (R1GRT) are only compatible with trim fixtures (R1GDT).

Multi Stealth
Downlight
R1GDT | R1GDL

Fixture Type: _____
 Project: _____
 Catalog#: _____
 Location: _____

FEATURES

<p>Optics:</p> <ul style="list-style-type: none"> • Fixture features 1.5" apertures with glare free capabilities due to a 40° visual cutoff 	<p>Construction:</p> <ul style="list-style-type: none"> • Extruded aluminum body with die-cast caps on each end of the fixture
<p>LED:</p> <ul style="list-style-type: none"> • High output discrete LED with a 3-step Mac Adam ellipse • Rated operational life of 50,000 hours at L70 (LED maintains 70% of its initial delivered lumens when brand new for 50,000 hours of use.) 	<p>Trim and Reflector:</p> <ul style="list-style-type: none"> • Three beam angles are available: Spot, Narrow Flood, and Flood
<p>Electrical:</p> <ul style="list-style-type: none"> • Input power is universal 120-277VAC, 50/60 Hz • Available in 8W, 14W, 20W, 27W, and 38W housings 	<p>Installation:</p> <ul style="list-style-type: none"> • 2, 4, 6, and 8 cell fixtures are supplied with two mounting spring clips at each end of the fixture body • 12 cell fixtures have four mounting spring clips on each side of the fixture body
<p>Dimming:</p> <ul style="list-style-type: none"> • Electronic low voltage (ELV), TRIAC, and 0-10V dimming available • ELV and TRIAC dimming is capable of a range of 100 - 5% • 0-10V dimming is capable of a range of 100 - 1% 	<p>Warranty:</p> <ul style="list-style-type: none"> • WAC Architectural limited warranty up to 5 years • Full warranty found at: wacighting.com/warranty
<p>Notes:</p> <ul style="list-style-type: none"> • The White and Black finishes for the body are electrostatically powder coated • The White, Black, Chrome, Gold, and Haze trim finishes are injection molded polycarbonate bevels 	

Multi Stealth Downlight

R1GDT | R1GDL

Fixture Type: _____
 Project: _____
 Catalog#: _____
 Location: _____

PERFORMANCE DATA

Size	Trim (R1GDT)	Trimless (R1GDL)
02 2 Cells		
04 4 Cells		
06 6 Cells		
08 8 Cells		
12 12 Cells		

Multi Stealth Downlight R1GDT | R1GDL

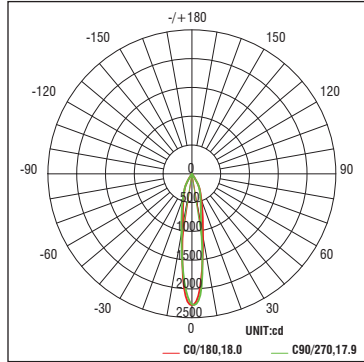
Fixture Type: _____
 Project: _____
 Catalog#: _____
 Location: _____

PERFORMANCE DATA

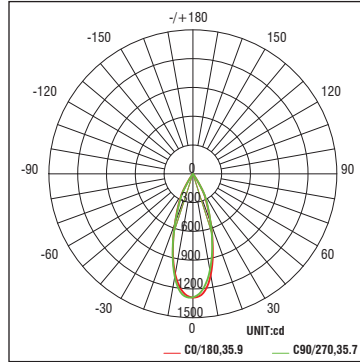
Polar Candela Distribution Charts

Samples shown with 2 cell sized (R1GDL02) Black finished fixture set to 3000K and 90 CRI.

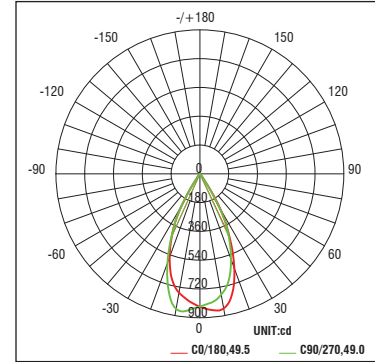
Spot Beam: 16° Beam



Narrow Flood Beam: 32° Beam



Flood Beam: 45° Beam



Lumens and CBCP Multiplier Table

Use the below table to determine lumens and CBCP values for the combinations of power, color temperature, and CRI values.

Color Temperature			
927	930	935	940
0.95	1.00	1.05	1.07

Multi Stealth

Downlight

R1GDT | R1GDL

Fixture Type: _____

Project: _____

Catalog#: _____

Location: _____

PERFORMANCE DATA

Unified Glare Rating (UGR) Table

General performance of a fixture set to 3000K and 90 CRI shown below.

Beam	Size	UGR Range
Spot - 16°	02 2 CELL	≤0
	04 4 CELL	≤3
	06 6 CELL	≤5
	08 8 CELL	≤7
	12 12 CELL	≤8
Narrow Flood - 32°	02 2 CELL	≤1
	04 4 CELL	≤4
	06 6 CELL	≤5
	08 8 CELL	≤7
	12 12 CELL	≤8
Flood - 45°	02 2 CELL	≤2
	04 4 CELL	≤5
	06 6 CELL	≤6
	08 8 CELL	≤8
	12 12 CELL	≤10

Multi Stealth

Downlight

R1GDT | R1GDL

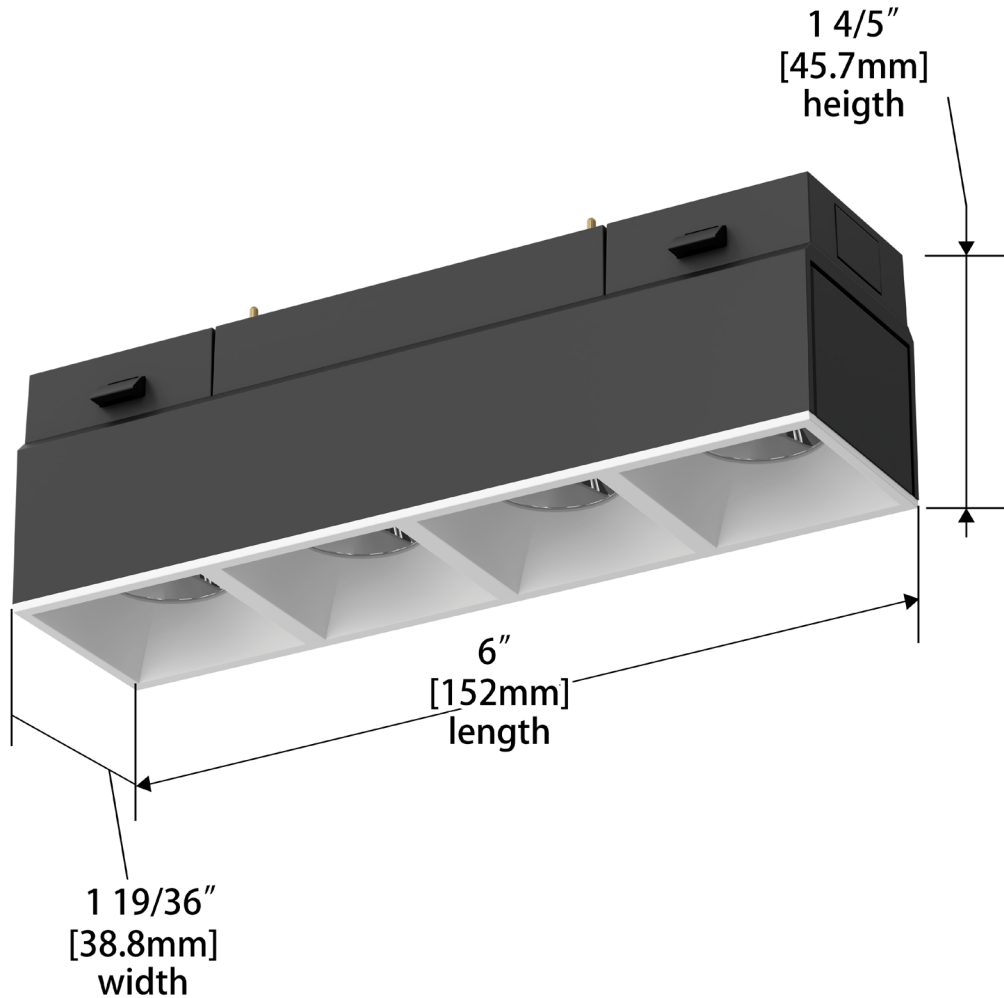
Fixture Type: _____

Project: _____

Catalog#: _____

Location: _____

DIMENSIONAL DIAGRAMS



Multi Stealth

Downlight

R1GDT | R1GDL

Fixture Type: _____

Project: _____

Catalog#: _____

Location: _____

WIRING DIAGRAMS

