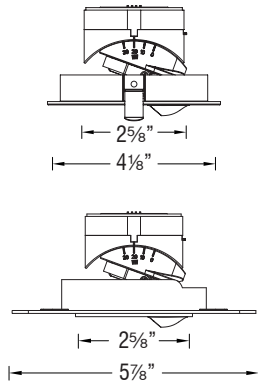
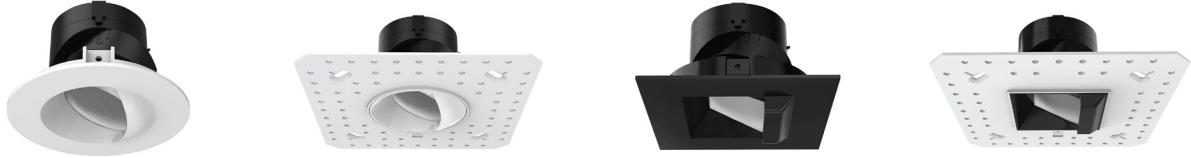


AETHER

2" - Wall Wash

R2ARWT | R2ARWL | R2ASWT | R2ASWL

Fixture Type: _____
 Project: _____
 Catalog#: _____
 Location: _____

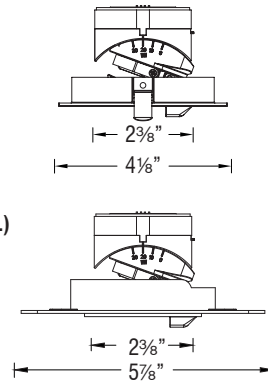


Round Trim (R2ARWT)

Round Trimless (R2ARWL)

Square Trim (R2ASWT)

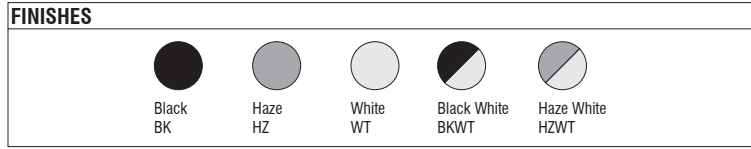
Square Trimless (R2ASWL)



PRODUCT DESCRIPTION
 The Aether 2" is compatible with shallow housings that are designed to fit in tight plenum spaces without sacrificing lumen output.

SPECIFICATIONS	
Construction:	Die-cast aluminum trim with die-cast aluminum heat sink
Mounting:	Heavy gauge retention clips support trim firmly Ceiling cut out (Round): Trim $\text{\O} 3\frac{3}{4}"$ Trimless $\text{\O} 4\frac{1}{8}"$ Ceiling cut out (Square): Trim $3\frac{3}{4}" \times 3\frac{3}{4}"$ Trimless $4\frac{1}{8}" \times 4\frac{1}{8}"$ Remodel ceiling cutout: $3\frac{3}{4}" \text{\O}$, $3\frac{3}{4}" \times 3\frac{3}{4}"$ Accommodates $\frac{1}{2}" - 1"$ ceiling thickness
Light Source:	High output 3-step Mac Adam Ellipse COB Rated life of 50,000 hours at L70
Input:	Universal 120-277V AC, 50/60 Hz
Dimming:	ELV, TRIAC, and 0-10V: 100 - 5%
Maximum Delivered Output:	Up to 1,099 lm (Square Asymmetric, 4000K, CRI 85)
Operating Temperature:	-4°F to 104°F (-20°C to 40°C)
Standards:	UL & cUL Wet location listed, Title 24 JA8 Compliant
Warranty:	5 year WAC Lighting guaranteed warranty

BEAM ANGLES



Model	Beam	Lumens	CBCP Ref Output*	Color Temp	CRI
R2ARWT Round Trim	A Asym	840	N/A	827 - 2700K - 85	90
R2ARWL Round Trimless				830 - 3000K - 85	
R2ASWT Square Trim				835 - 3500K - 85	
R2ASWL Square Trimless				840 - 4000K - 85	
				927 - 2700K - 90	
				930 - 3000K - 90	

Lumens and CBCP are reference values for fixtures set to 3000K Color Temperature. Refer to Multiplier Table in Performance Data to determine other outputs.

AETHER

2" - Wall Wash

R2ARWT | R2ARWL | R2ASWT | R2ASWL

Fixture Type: _____

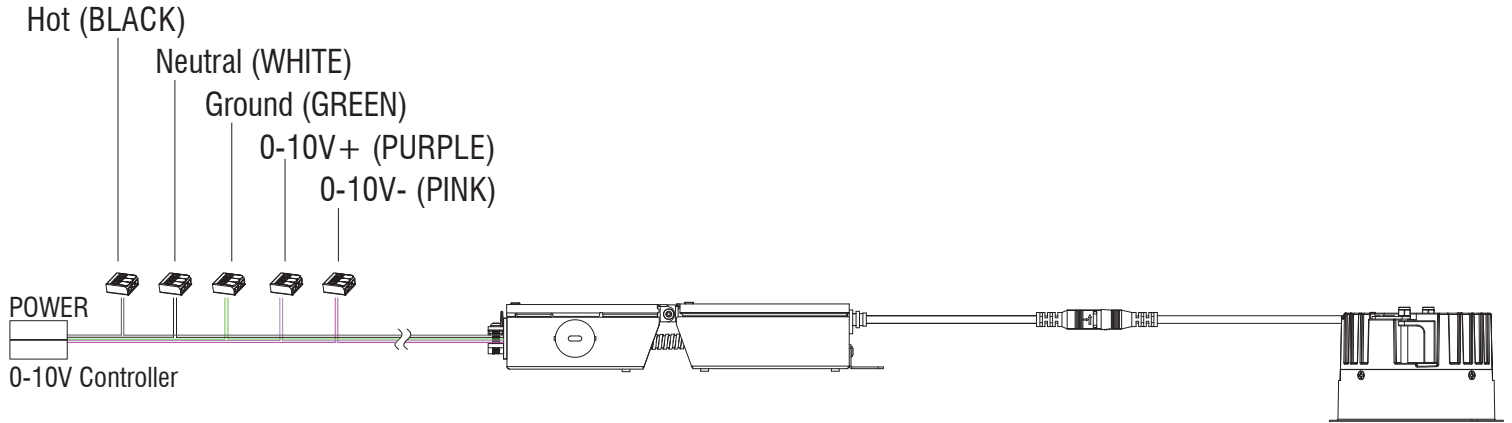
Project: _____

Catalog#: _____

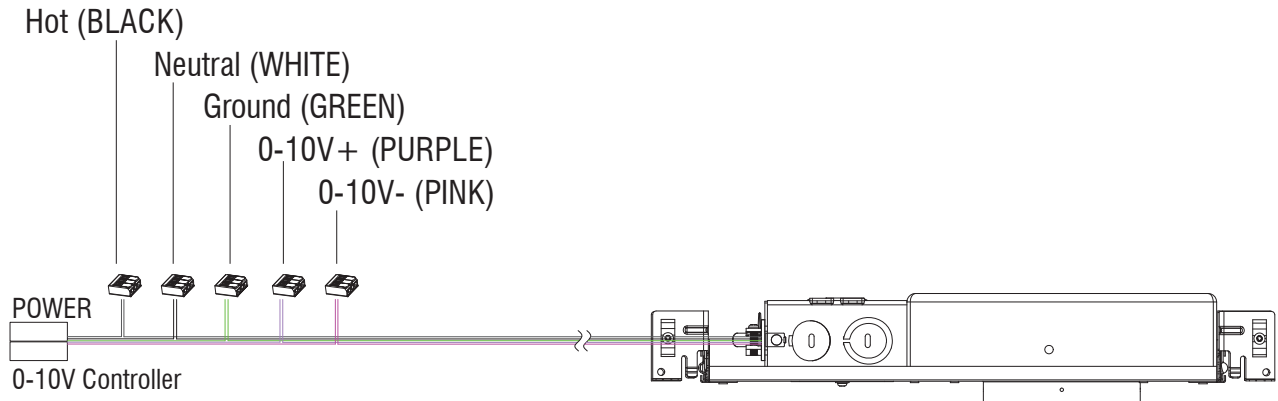
Location: _____

WIRING DIAGRAMS

Aether 2" Remodel Housing



Aether 2" New Construction Housing



AETHER

2" - Wall Wash

R2ARWT | R2ARWL | R2ASWT | R2ASWL

Fixture Type: _____

Project: _____

Catalog#: _____

Location: _____

PERFORMANCE DATA

Unified Glare Rating (UGR) Table

UGR values shown are calculated for a Round Trim fixture with an Asymmetric beam (Asym) optic at 3000K and 90 CRI. General performance of other beam angles shown below.

ceiling/cavity	0.7	0.7	0.5	0.5	0.3	0.7	0.7	0.5	0.5	0.3	
walls	0.5	0.3	0.5	0.3	0.3	0.5	0.3	0.5	0.3	0.3	
working plane	0.2	0.2	0.2	0.2	0.2	0.2	0.2	0.2	0.2	0.2	
Room dimensions	Viewed crosswise					Viewed endwise					
x = 2H y = 2H	26.8	28.2	27.1	28.4	28.6	25.7	27.0	26.0	27.2	27.4	
3H	27.5	28.7	27.7	28.9	29.1	26.2	27.4	26.5	27.7	27.9	
4H	27.6	28.8	27.9	29.0	29.3	26.3	27.5	26.6	27.7	27.9	
6H	27.7	28.8	28.0	29.1	29.4	26.3	27.4	26.6	27.6	27.9	
8H	27.7	28.8	28.1	29.1	29.4	26.2	27.3	26.6	27.5	27.8	
12H	27.8	28.8	28.1	29.1	29.3	26.2	27.2	26.5	27.5	27.8	
4H	2H	27.1	28.3	27.4	28.5	28.8	26.2	27.4	26.5	27.6	27.9
3H	27.9	28.9	28.2	29.2	29.5	26.9	27.9	27.2	28.2	28.5	
4H	28.1	29.1	28.5	29.4	29.7	27.0	28.0	27.4	28.3	28.6	
6H	28.3	29.1	28.7	29.5	29.8	27.1	27.9	27.5	28.2	28.6	
8H	28.4	29.1	28.8	29.5	29.9	27.1	27.8	27.5	28.2	28.5	
12H	28.4	29.1	28.8	29.5	29.9	27.0	27.7	27.4	28.1	28.5	
8H	4H	28.2	28.9	28.6	29.3	29.7	27.1	27.9	27.5	28.3	28.6
6H	28.4	29.0	28.9	29.4	29.9	27.2	27.9	27.7	28.3	28.7	
8H	28.5	29.1	29.0	29.5	29.9	27.2	27.8	27.7	28.2	28.7	
12H	28.6	29.1	29.1	29.5	30.0	27.2	27.7	27.7	28.1	28.6	
12H	4H	28.1	28.8	28.6	29.2	29.6	27.1	27.8	27.5	28.2	28.6
6H	28.4	28.9	28.9	29.4	29.8	27.2	27.8	27.7	28.2	28.7	
8H	28.5	29.0	29.0	29.4	29.9	27.3	27.7	27.7	28.2	28.7	

Round Fixture	Angle	UGR Range
Asymmetric	Asym	≤30

Square Fixture	Angle	UGR Range
Asymmetric	Asym	≤30

Lumens and CBCP Multiplier Table

Use the below table to determine lumens and CBCP values for the combinations of power, color temperature, and CRI values.

Color Temperature and CRI					
827	830	835	840	927	930
1.16	1.23	1.26	1.27	0.96	1.00

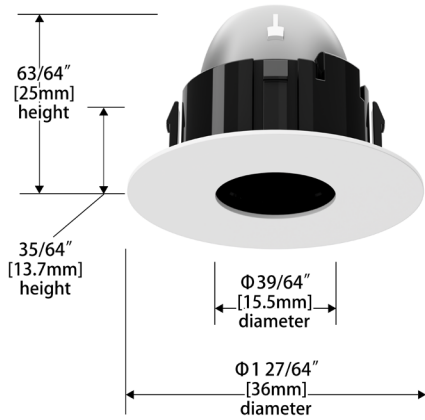
AETHER
2" - Wall Wash

R2ARWT | R2ARWL | R2ASWT | R2ASWL

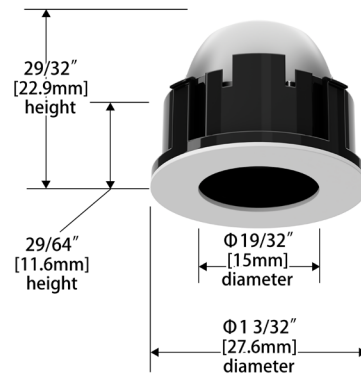
Fixture Type: _____
Project: _____
Catalog#: _____
Location: _____

DIMENSIONAL DIAGRAMS

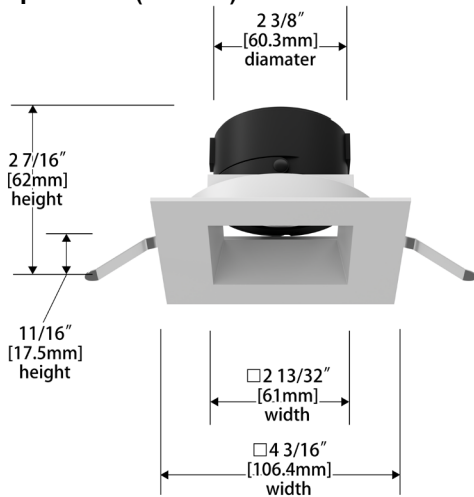
Trim



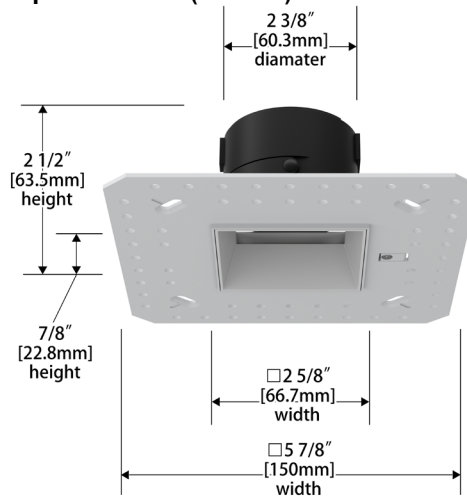
Trimless



Square Trim (R2ASDT)



Square Trimless (R2ASDL)



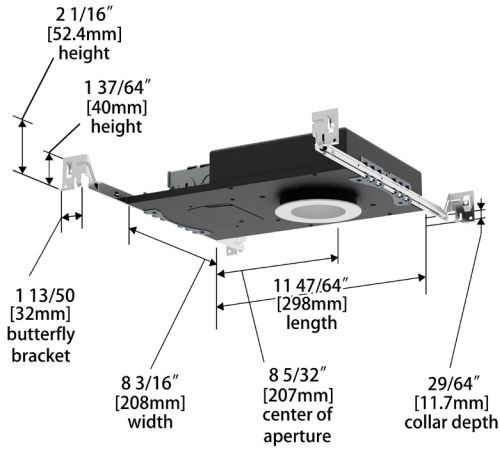
AETHER
2" - Wall Wash

R2ARWT | R2ARWL | R2ASWT | R2ASWL

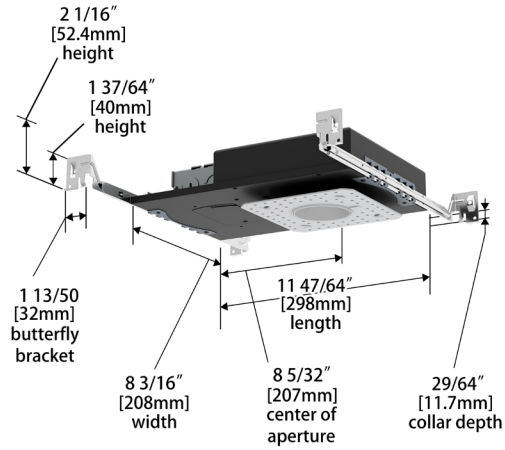
Fixture Type: _____
 Project: _____
 Catalog#: _____
 Location: _____

DIMENSIONAL DIAGRAMS

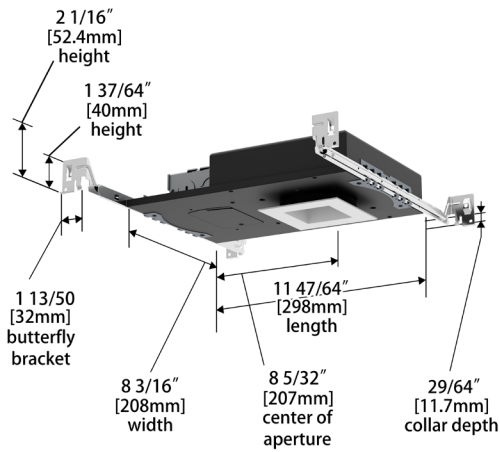
New Construction - Round Trim



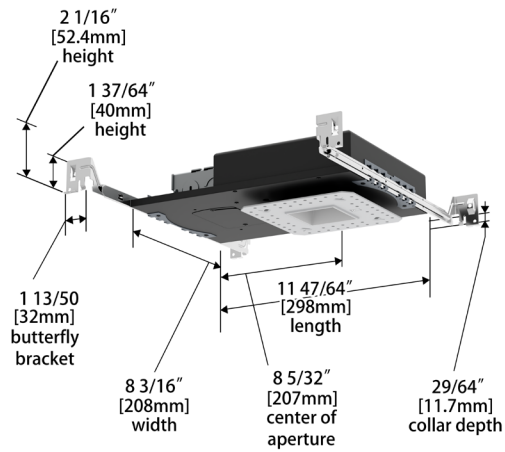
New Construction - Round Trimless



New Construction - Square Trim



New Construction - Square Trimless



AETHER

2" - Wall Wash

R2ARWT | R2ARWL | R2ASWT | R2ASWL

Fixture Type: _____

Project: _____

Catalog#: _____

Location: _____

ORDERING INFORMATION

CONFIGURATION TABLE			
Model & Power	Beam	Color Temperature & CRI	Reflector Finish
R2ARWT	A - Asym	827 - 2700K - 85	BK - BLACK
R2ARWL		830 - 3000K - 85	HZ - HAZE
R2ASWT		835 - 3500K - 85	WT - WHITE
R2ASWL		840 - 4000K - 85	BKWT - BLACK/WHITE
		927 - 2700K - 90	HZWT - HAZE/WHITE
		930 - 3000K - 90	

R2A ___ - ___ - _____

Example: R2ARWT-A930-BKWT

HOUSINGS		
	Model	Power
IC-Rated, Airtight Round Trim	HR-2LED-H13A	15W
IC-Rated, Airtight New Construction Chicago Plenum	HR-2LED-H13AC	15W
IC-Rated, Airtight Remodel	HR-2LED-R10A	9W
Non-IC Rated, Airtight Remodel	HR-2LED-R15A	15W

HR-2LED-_____

Example: HR-2LED-H13A

ORDERING NOTES
1. Only trimmed fixtures cannot be ordered with a finish that includes a trim finish (BKWT, HZWT).

AETHER

2" - Wall Wash

R2ARWT | R2ARWL | R2ASWT | R2ASWL

Fixture Type: _____

Project: _____

Catalog#: _____

Location: _____

FEATURES

<p>Optics:</p> <ul style="list-style-type: none"> • Strong lumen output from 2" aperture • Up to 1,064 lumens at 3000K and 1,099 lumens at 4000K 	<p>Construction:</p> <ul style="list-style-type: none"> • Fixture body includes die-cast aluminum trim and a die-cast aluminum heat sink • Built-in retention clips will firmly hold the trim to the housing that the fixture is installed in
<p>LED:</p> <ul style="list-style-type: none"> • High output COB LED with a 3-step Mac Adam ellipse • Rated operational life of 50,000 hours at L70 (LED maintains 70% of its initial delivered lumens when brand new for 50,000 hours of use.) 	<p>Trim and Reflector:</p> <ul style="list-style-type: none"> • Trimmed fixtures are wet location listed • Features a 2" trim aperture
<p>Electrical:</p> <ul style="list-style-type: none"> • Aether 2" is compatible with 120-277 VAC, 50/60 Hz • Aether 2" is only available in 15W with a power factor of 0.9 	<p>Installation:</p> <ul style="list-style-type: none"> • Requires housing for installation • All New Construction Aether 2" housings are all IC-rated • Remodel housings are available in 9W, which is IC rated, and 15W, which is non-IC rated • Aether 2" housings are suitable for ceilings with a thickness of ½" - 1"
<p>Dimming:</p> <ul style="list-style-type: none"> • Electronic Low Voltage (ELV), TRIAC, and 0-10V dimming are available • Each dimming option is capable of a 100 - 5% range 	<p>Warranty:</p> <ul style="list-style-type: none"> • WAC Architectural limited warranty up to 5 years • Full warranty found at: wacighting.com/warranty
<p>Notes:</p> <ul style="list-style-type: none"> • Trim and trimless fixtures of the same shape (Round/Square) have the same performance. Minor variations occur due to fixture shape. • The White and Black finishes are powder coated while the Haze is enamel coated and the Copper Bronze is plated and brushed. 	

AETHER

2" - Wall Wash

R2ARWT | R2ARWL | R2ASWT | R2ASWL

Fixture Type: _____

Project: _____

Catalog#: _____

Location: _____

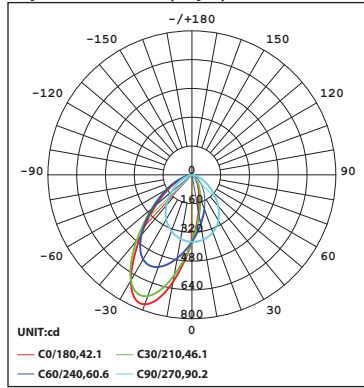
PERFORMANCE DATA

Polar Candela Distribution Charts

Samples shown from a 15W fixture set to 3000K and 90 CRI.

ROUND

Asymmetric Beam (Asym)



SQUARE

Asymmetric Beam (Asym)

