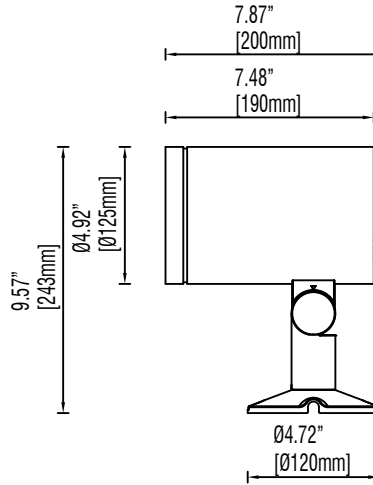


## Ring Static White RAL5 (47W)

Fixture Type: \_\_\_\_\_  
 Project: \_\_\_\_\_  
 Catalog#: \_\_\_\_\_  
 Location: \_\_\_\_\_



### PRODUCT DESCRIPTION

The Ring series floodlights are professional LED luminaires designed by WAC for high-end outdoor lighting applications. The compact fixture body features efficient heat dissipation, helping to extend the lifespan of the LED. Its clean design and high-performance optical output enhance the surrounding environment. The Ring series is available in multiple sizes and incorporates the latest LED technology, allowing precise adjustment in both vertical and horizontal directions. It is suitable for projection lighting in areas such as building facades, landscapes, sculptures, and other architectural features.

### SPECIFICATIONS

<b>Construction:</b>	Durable aluminum alloy lamp body
<b>Mounting:</b>	Outdoor installation
<b>Light Source:</b>	High output 3-step Mac Adam Ellipse COB Rated life of 50,000 hours at L70
<b>Input:</b>	Universal 120-277V AC, 50/60 Hz
<b>Power:</b>	47W
<b>Dimming:</b>	0-10V, DMX512-A with RDM
<b>Maximum Delivered Intensity:</b>	Up to 21,152 cd (Narrow Flood 23°, 4000K)
<b>Maximum Delivered Output:</b>	Up to 5,843 lm (Narrow Flood 23°, 4000K)
<b>Operating Temperature:</b>	-4°F to 122°F (-20°C to 50°C)
<b>Standards:</b>	UL & cUL Wet location listed
<b>Warranty:</b>	5 year WAC Lighting guaranteed warranty

### BEAM ANGLES



### FINISHES



Model	Beam	Lumens Ref Output*	CBCP	Efficacy (lm/W)	Color Temp
RAL5 Ø125mm Ø4.92"	N 23°	5,217	18,886	99	927-2700K
	M 35°	4,971	9,908	93	930-3000K
	F 45°	4,865	7,404	92	940-4000K

\*Lumens and CBCP are reference values for 3000K Color Temperature. Refer to Multiplier Table in Performance Data to determine other outputs.

Ring  
 Static White  
 RAL5 (47W)

Fixture Type: \_\_\_\_\_  
 Project: \_\_\_\_\_  
 Catalog#: \_\_\_\_\_  
 Location: \_\_\_\_\_

**ORDERING INFORMATION**

CONFIGURATION TABLE				
Model & Power	Dimming	Beam Angle	Color Temperature & CRI	Housing Finish
<b>RAL5 (47W)</b>	<b>L</b> - 0-10V	<b>N</b> - Narrow Flood	<b>927</b> - 2700K - 90	<b>BK</b> - BLACK
	<b>D</b> - DMX512-A	<b>M</b> - Medium Flood	<b>930</b> - 3000K - 90	
		<b>F</b> - Flood	<b>940</b> - 4000K - 90	

**RAL5-47 - \_\_\_\_ -BK**

Example: RAL5-47D-M930-BK

ACCESSORIES	
RAL5-SHR-BK	Ring 5" Shroud - Black
RAL5-SNOOT-BK	Ring 5" Snoot - Black

Ring  
Static White  
RAL5 (47W)

Fixture Type: \_\_\_\_\_  
 Project: \_\_\_\_\_  
 Catalog#: \_\_\_\_\_  
 Location: \_\_\_\_\_

**FEATURES**

<p><b>Optics:</b></p> <ul style="list-style-type: none"> <li>• Armature capable of 330° horizontal rotation and 30-90° vertical aiming</li> </ul>	<p><b>Construction:</b></p> <ul style="list-style-type: none"> <li>• Die-cast aluminum fixture with driver enclosed in canopy</li> </ul>
<p><b>LED:</b></p> <ul style="list-style-type: none"> <li>• High output COB LED with a 3-step Mac Adam ellipse</li> <li>• Rated operational life of 50,000 hours at L70 (LED maintains 70% of its initial delivered lumens when brand new for 50,000 hours of use.)</li> </ul>	<p><b>Trim and Reflector:</b></p> <ul style="list-style-type: none"> <li>• Three beam angles are available: Narrow Flood, Medium Flood, and Flood</li> </ul>
<p><b>Electrical:</b></p> <ul style="list-style-type: none"> <li>• Input power is universal 120-277 VAC, 50/60 Hz</li> <li>• Available in a 47W power level</li> </ul>	<p><b>Installation:</b></p> <ul style="list-style-type: none"> <li>• Suitable for outdoor installation with a rating of IP65</li> </ul>
<p><b>Dimming:</b></p> <ul style="list-style-type: none"> <li>• DMX512-A and 0-10V dimming are available</li> </ul>	<p><b>Warranty:</b></p> <ul style="list-style-type: none"> <li>• WAC Architectural limited warranty up to 5 years</li> <li>• Full warranty found at: <a href="http://wacighting.com/warranty">wacighting.com/warranty</a></li> </ul>
<p><b>Notes:</b></p> <ul style="list-style-type: none"> <li>• The Black finish is electrostatically powder coated</li> </ul>	

## Ring Static White RAL5 (47W)

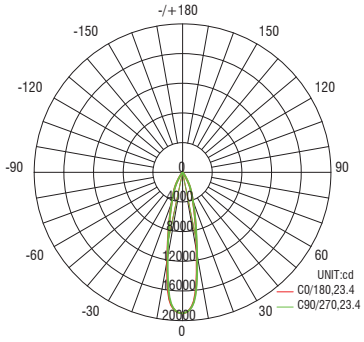
Fixture Type: \_\_\_\_\_  
 Project: \_\_\_\_\_  
 Catalog#: \_\_\_\_\_  
 Location: \_\_\_\_\_

### PERFORMANCE DATA

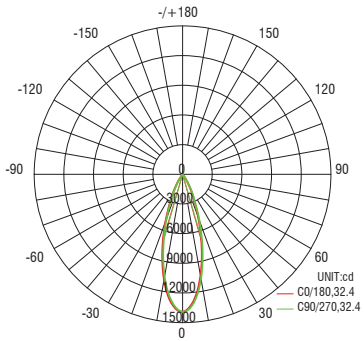
#### Polar Candela Distribution Charts

Samples shown from a fixture set to 3000K.

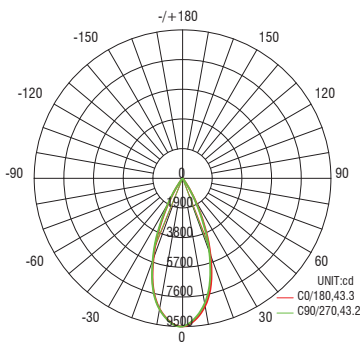
**N - Narrow Flood Beam 23°**



**M - Medium Flood Beam 35°**



**F - Flood Beam 45°**



Ring  
 Static White  
 RAL5 (47W)

Fixture Type: \_\_\_\_\_  
 Project: \_\_\_\_\_  
 Catalog#: \_\_\_\_\_  
 Location: \_\_\_\_\_

**PERFORMANCE DATA**

**Unified Glare Rating (UGR) Table**

Samples shown from a fixture set to 3000K. General performance of other beam angles shown below.

Fixture	Angle	UGR Range
Narrow Flood	23°	≤ 17
Medium Flood	35°	≤ 16
Flood	45°	≤ 18

**Lumens and CBCP Multiplier Table**

Use the below table to determine lumens and CBCP values for the combinations of power, color temperature, and CRI values.

Color Temperature				
2700K	3000K	3500K	4000K	5000K
0.96	1.00	1.04	1.07	1.12

Fixture Type: \_\_\_\_\_  
Project: \_\_\_\_\_  
Catalog#: \_\_\_\_\_  
Location: \_\_\_\_\_

**DIMENSIONAL DIAGRAMS**



## Ring Static White RAL5 (47W)

Fixture Type: \_\_\_\_\_  
 Project: \_\_\_\_\_  
 Catalog#: \_\_\_\_\_  
 Location: \_\_\_\_\_

### WIRING DIAGRAM

