

## Stealth Framing Projector

Adjustable

WTK-1210 | WHK-1210 | MO-1210

Fixture Type: \_\_\_\_\_

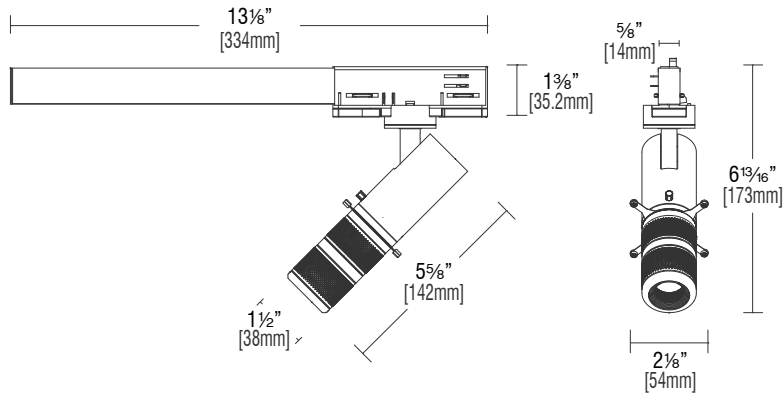
Project: \_\_\_\_\_

Catalog#: \_\_\_\_\_

Location: \_\_\_\_\_



### LINE DRAWING



### PRODUCT DESCRIPTION

The sleek, stylish luminaire projects a square, rectangular or circular area of light with crisp lines to frame or highlight art objects, providing maximum visual impact. Like a quality camera lens, the innovative projector contains adjustable lenses as well as shims to frame a sharp accenting light the width and length of the object. It can zoom in for a closeup or zoom out to frame larger pieces of art.

### SPECIFICATIONS

<b>Construction:</b>	Die-cast aluminum with optical glass lenses
<b>Mounting:</b>	Track mounted; ceiling or wall mounted
<b>Light Source:</b>	Integrated LED, High output 3-step Mac Adam Ellipse Rated life of 50,000 hours at L70
<b>Input:</b>	Universal 120-277V AC, 50/60 Hz
<b>Power:</b>	12W
<b>Dimming:</b>	ELV, TRIAC (120V only): 100 - 5%
<b>Maximum Delivered Intensity:</b>	Up to 3,720 cd (4000K)
<b>Maximum Delivered Output:</b>	Up to 380 lm (4000K)
<b>Operating Temperature:</b>	-4°F to 104°F (-20°C to 40°C)
<b>Standards:</b>	ETL & cETL Damp location listed
<b>Warranty:</b>	5 year WAC Lighting guaranteed warranty

### FINISHES



Black  
BK



White  
WT

Model		Color Temp	Lumens	CBCP	CRI	
WTK-1210 WHK-1210 MO-1210	Ø2 1/8" Ø54mm	927	20° 35°	350 350	3,271 1,367	90
		930	20° 35°	361 361	3,372 1,409	
		935	20° 35°	386 386	3,609 1,508	
		940	20° 35°	393 393	3,676 1,536	

## Stealth Framing Projector

Adjustable

WTK-1210 | WHK-1210 | MO-1210

Fixture Type: \_\_\_\_\_

Project: \_\_\_\_\_

Catalog#: \_\_\_\_\_

Location: \_\_\_\_\_

### ORDERING INFORMATION

CONFIGURATION TABLE		
Model & Power	Color Temperature & CRI	Fixture Finish
<b>WTK-1210</b> (120V)	<b>927</b> - 2700K - 90	<b>BK</b> - BLACK
<b>WHK-1210</b> (277V)	<b>930</b> - 3000K - 90	<b>WT</b> - WHITE
<b>MO-1210</b>	<b>935</b> - 3500K - 90	
	<b>940</b> - 4000K - 90	

**W** \_\_ - \_\_\_\_ - \_\_

Example: WTK-1210-940-BK

**MO-1224**- \_\_\_\_ - \_\_

Example: MO-1210-930-WT

### ORDERING NOTES

1. The WTK-1210 fixture is 120V and the WHK-1210 fixture is 277V. Both fixtures are track mounted.
2. The MO-1210 fixture is a ceiling mounted monopoint fixture.

## Stealth Framing Projector

Adjustable

WTK-1210 | WHK-1210 | MO-1210

Fixture Type: \_\_\_\_\_

Project: \_\_\_\_\_

Catalog#: \_\_\_\_\_

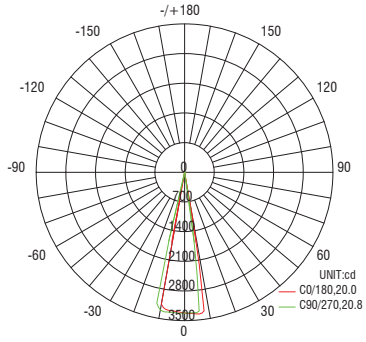
Location: \_\_\_\_\_

### PERFORMANCE DATA

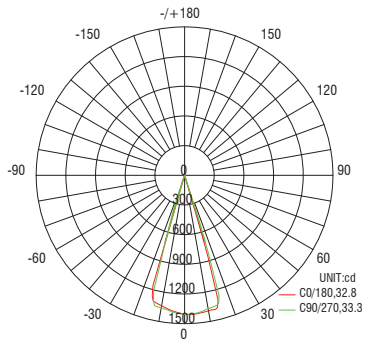
#### Polar Candela Distribution Charts

Samples shown with a 12W fixture set to 3000K.

##### Minimum Zoom - 20°



##### Maximum Zoom - 35°



#### Unified Glare Rating (UGR) Table

General performance of fixtures at 3000K and 90 CRI.

Round Fixture	Angle	UGR Range
Minimum Zoom	20°	≤ 0
Maximum Zoom	35°	≤ 0