

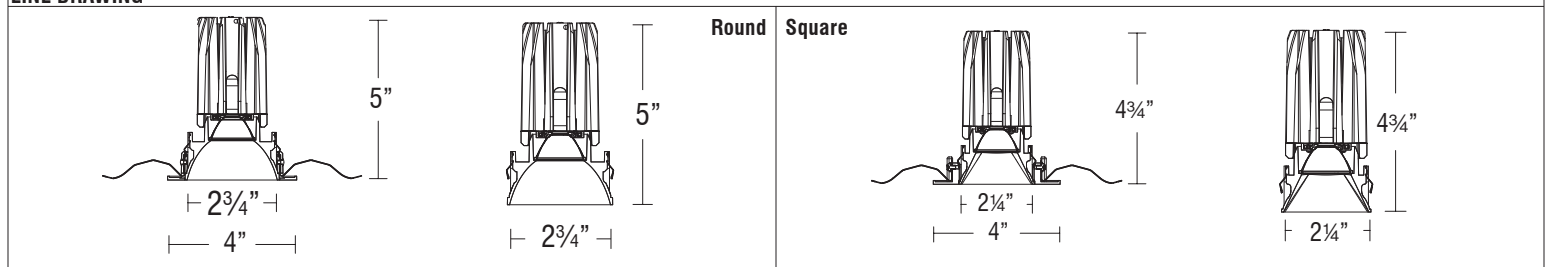
FQ Dim-To-Warm 2" Downlight

R2FRDT | R2FRDL | R2FSDT | R2FSDL

Fixture Type: _____
Project: _____
Catalog#: _____
Location: _____



LINE DRAWING



PRODUCT DESCRIPTION

The FQ Recessed series offers a complete line of high performance LED luminaires that provide outstanding functionality and quality. The FQ series features superlative glare control with 30° shielding, 35° vertical tilting, and uniform floor-to-ceiling wall washing. Multiple power level options and a full line of round and square, trimmed and trimless luminaires offer versatile solutions for various lighting applications. Easy to order, install, and service.

SPECIFICATIONS

Construction:	Durable die-cast aluminum construction
Mounting:	Heavy gauge retention clips support trim firmly Ceiling cut out (Round): Trim $\varnothing 3\frac{1}{2}"$ \bigcirc Trimless $\varnothing 3\frac{1}{2}"$ \bigcirc Ceiling cut out (Square): Trim $3\frac{1}{2}" \times 3\frac{1}{2}"$ \square Trimless $3\frac{1}{2}" \times 3\frac{1}{2}"$ \square Accommodates $\frac{1}{2}" - 1"$ ceiling thickness
Light Source:	High output 3-step Mac Adam Ellipse COB Rated life of 50,000 hours at L70
Input:	Universal 120-277V AC, 50/60 Hz
Dimming:	ELV, TRIAC, 0-10V: 100 - 1%
Maximum Delivered Intensity:	Up to 1,775 cd (Round Flood 40°)
Maximum Delivered Output:	Up to 980 lm (Square Flood 40°)
Operating Temperature:	-4°F to 104°F (-20°C to 40°C)
Standards:	ETL & cETL Damp location listed, Title 24 JA8 Compliant
Warranty:	5 year WAC Lighting guaranteed warranty

BEAM ANGLES



F - 40°



W - 55°

FINISHES



Black
BK



Dark Bronze
DB



Haze
HZ



White
WT



Haze White
HZWT

Model	Beam	Lumens Ref Output*	CBCP
R2FRDT Round Trim	F 40°	Round 965	1775
R2FRDL Round Trimless		Square 980	1385
R2FSDT Square Trim	W 55°	Round 950	1370
R2FSDL Square Trimless		Square 970	1100

*Lumens and CBCP are reference values for a trim fixture set to 3000K Color Temperature. Refer to Multiplier Table in Performance Data to determine other outputs.

FQ Dim-To-Warm

2" Downlight

R2FRDT | R2FRDL | R2FSDT | R2FSDL

Fixture Type: _____

Project: _____

Catalog#: _____

Location: _____

ORDERING INFORMATION

CONFIGURATION TABLE		
Model	Color Temperature & CRI	Reflector Finish
R2FRDT	WD - 3000K-1800K - 90	BK - BLACK
R2FRDL		DB - DARK BRONZE
R2FSDT		HZ - HAZE
R2FSDL		HZWT - HAZE/WHITE
		WT - WHITE

R2FRDT-WD-__

Example: R2FRDT-WD-WT

ORDERING NOTES

1. The "Haze/White" finish is only available on trimmed fixtures (R2FRDT, R2FSDT).
2. The "Haze" finish is only available on trimless fixtures (R2FRDL, R2FSDL).
3. Both reflector options (F-40° and W-55°) are included.

FQ Dim-To-Warm
2" Downlight

R2FRDT | R2FRDL | R2FSDT | R2FSDL

Fixture Type: _____
Project: _____
Catalog#: _____
Location: _____

ORDERING INFORMATION

HOUSINGS				
	Model	Power		Emergency Backup
New Construction Airtight - Round & Square Trim	R2FBNT	1 15W IC		EM <i>Optional</i>
New Construction Frame-In - Round & Square Trim	R2FBFT	1 15W Non-IC		EM <i>Optional</i>
Remodel - Round & Square Trim	R2FBRT	1 15W Non-IC		N/A
New Construction IC Airtight - Round Trimless	R2FRNL	1 15W IC		N/A
New Construction IC Airtight - Square Trimless	R2FSNL	1 15W IC		N/A
Remodel - Round Trimless	R2FRRL	1 15W Non-IC		N/A
Remodel - Square Trimless	R2FSRL	1 15W Non-IC		N/A
Remodel - Round & Square Trim	R2FBR2T	1 15W IC		N/A

R2F__-__
Example: R2FBNT-1

Millwork Housings	Size	Power
New Construction R2FRNM	A 0.8"	1 15W IC
	B 1.5"	
New Construction R2FSNM	A 0.8"	1 15W IC
	B 1.5"	

R2F__-__-1
Example: R2FRNM-A-1

FQ Dim-To-Warm

2" Downlight

R2FRDT | R2FRDL | R2FSDT | R2FSDL

Fixture Type: _____
 Project: _____
 Catalog#: _____
 Location: _____

FEATURES

<p>Optics:</p> <ul style="list-style-type: none"> • High lumen output across the full Dim-to-Warm range • Powerful glare control due to the fixtures 30° shielding angle, 35° vertical tilting, and 360° horizontal rotation 	<p>Construction:</p> <ul style="list-style-type: none"> • Two piece die-cast aluminum constructed body and trim
<p>LED:</p> <ul style="list-style-type: none"> • High output COB LED with a 3-step Mac Adam ellipse • Rated operational life of 50,000 hours at L70 (LED maintains 70% of its initial delivered lumens when brand new for 50,000 hours of use.) 	<p>Trim and Reflector:</p> <ul style="list-style-type: none"> • Reflectors with beam angles of 25°, 40°, and 55° are all included and swappable
<p>Electrical:</p> <ul style="list-style-type: none"> • Input power is universal 120-277VAC and 50/60 Hz • Available in 15W, 21W, and 25W power levels 	<p>Installation:</p> <ul style="list-style-type: none"> • Light engine is mounted onto the trim using springs that allow for easy replacement • Heavy gauge retention clips firmly support the trim within the housing
<p>Dimming:</p> <ul style="list-style-type: none"> • Electronic Low Voltage (ELV), TRIAC, and 0-10V dimming are available • ELV, TRIAC, and 0-10V are all capable of a range of 100 - 1% 	<p>Warranty:</p> <ul style="list-style-type: none"> • WAC Architectural limited warranty up to 5 years • Full warranty found at: waclighting.com/warranty
<p>Notes:</p> <ul style="list-style-type: none"> • The White, Black, and Dark Bronze finishes are all electrostatically powder coated • The Haze finish is enamel coated 	

FQ Dim-To-Warm 2" Downlight

R2FRDT | R2FRDL | R2FSDT | R2FSDL

Fixture Type: _____
 Project: _____
 Catalog#: _____
 Location: _____

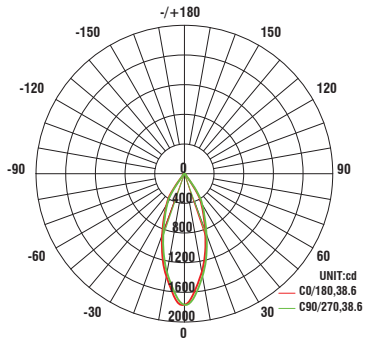
PERFORMANCE DATA

Polar Candela Distribution Charts

Samples shown with a fixture set to 3000K and 90 CRI.

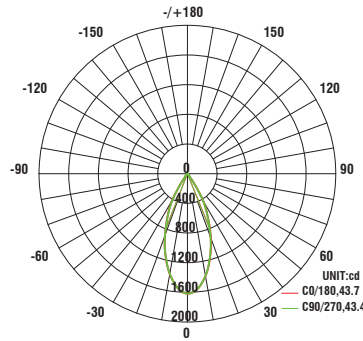
ROUND

Flood Beam: 40° Beam

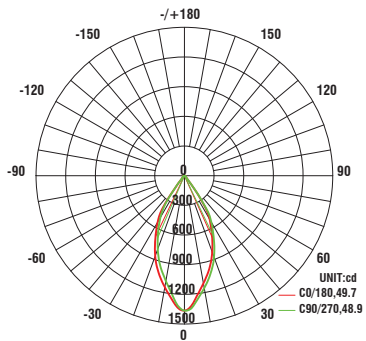


SQUARE

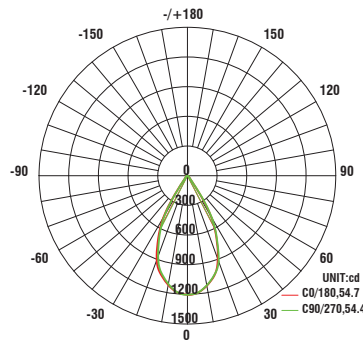
Flood Beam: 40° Beam



Wide Flood Beam: 55° Beam



Wide Flood Beam: 55° Beam



FQ Dim-To-Warm

2" Downlight

R2FRDT | R2FRDL | R2FSDT | R2FSDL

Fixture Type: _____

Project: _____

Catalog#: _____

Location: _____

PERFORMANCE DATA

Unified Glare Rating (UGR) Table

UGR values shown are calculated at 3000K and 90 CRI.

Round Fixture	Angle	UGR Range
Flood	40°	≤14
Wide Flood	55°	≤15

Square Fixture	Angle	UGR Range
Flood	40°	≤12
Wide Flood	55°	≤13

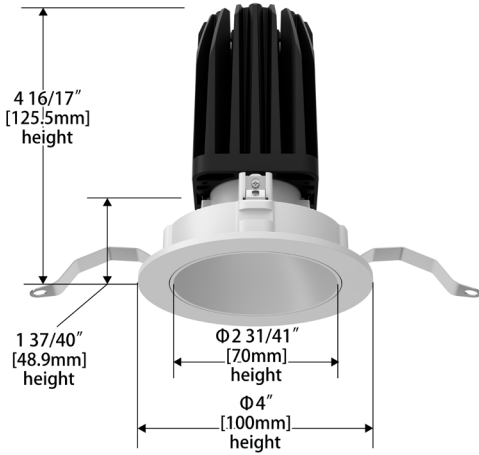
FQ Dim-To-Warm
2" Downlight

R2FRDT | R2FRDL | R2FSDT | R2FSDL

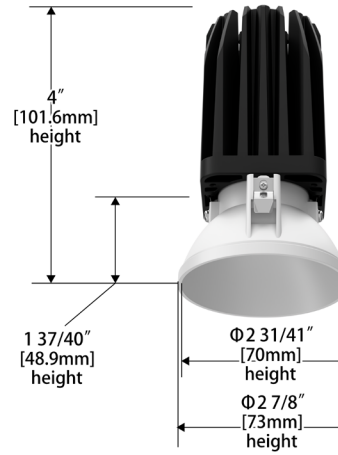
Fixture Type: _____
 Project: _____
 Catalog#: _____
 Location: _____

DIMENSIONAL DIAGRAMS

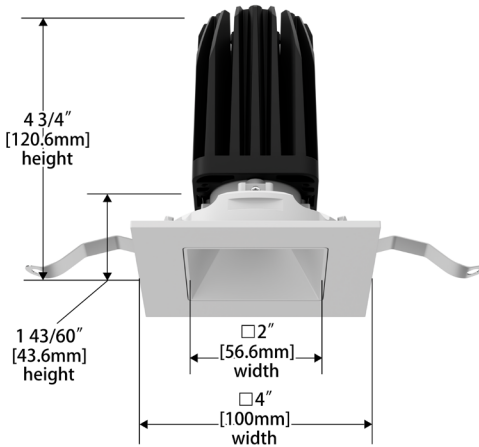
Round Trim (R2FRDT)



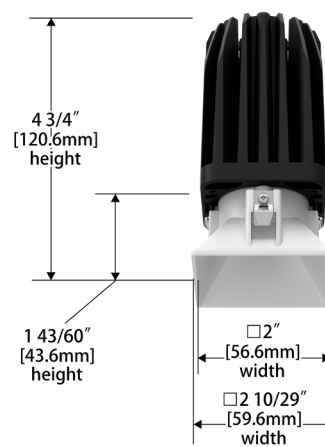
Round Trimless (R2FRDL)



Square Trim (R2FSDT)



Square Trimless (R2FSDL)



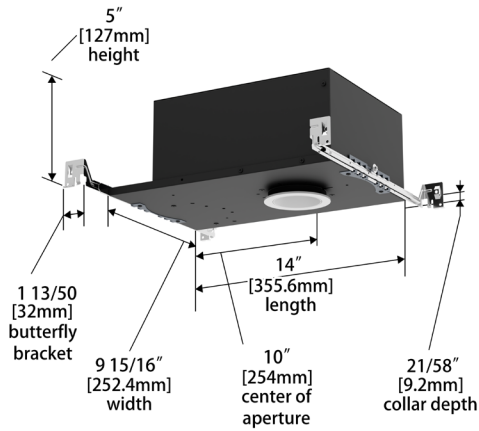
FQ Dim-To-Warm
2" Downlight

R2FRDT | R2FRDL | R2FSDT | R2FSDL

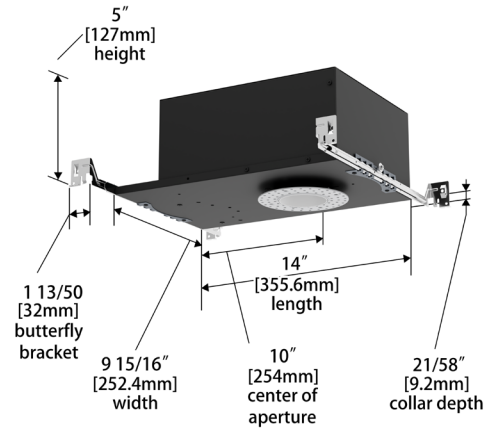
Fixture Type: _____
 Project: _____
 Catalog#: _____
 Location: _____

DIMENSIONAL DIAGRAMS

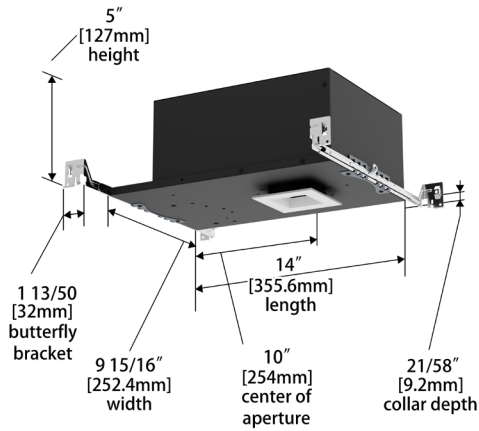
New Construction - Round Trim



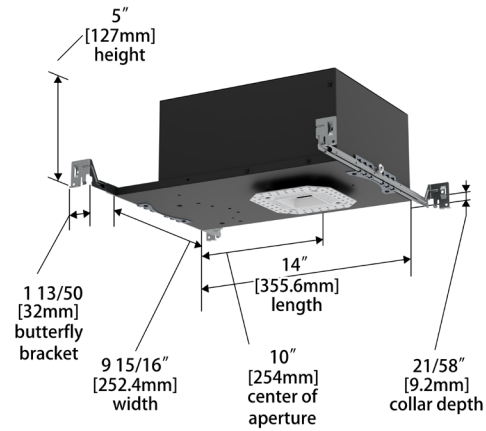
New Construction - Round Trimless



New Construction - Square Trim



New Construction - Square Trimless



FQ Dim-To-Warm

2" Downlight

R2FRDT | R2FRDL | R2FSDT | R2FSDL

Fixture Type: _____

Project: _____

Catalog#: _____

Location: _____

WIRING DIAGRAMS

