

Multi Stealth

New Construction Housing - Adjustable

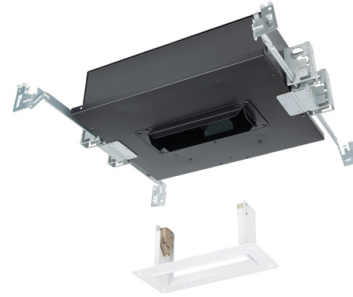
R1GNTA | R1GNLA

Fixture Type: _____

Project: _____

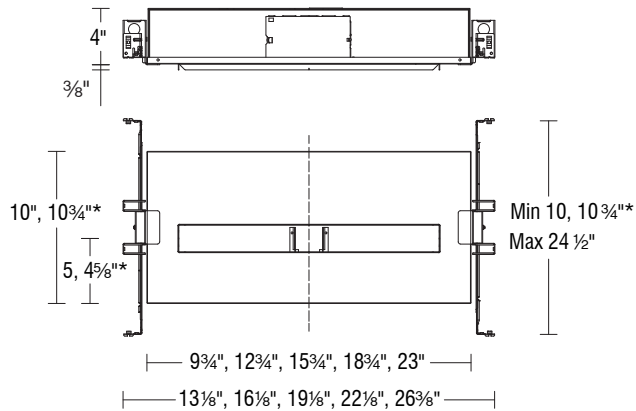
Catalog#: _____

Location: _____



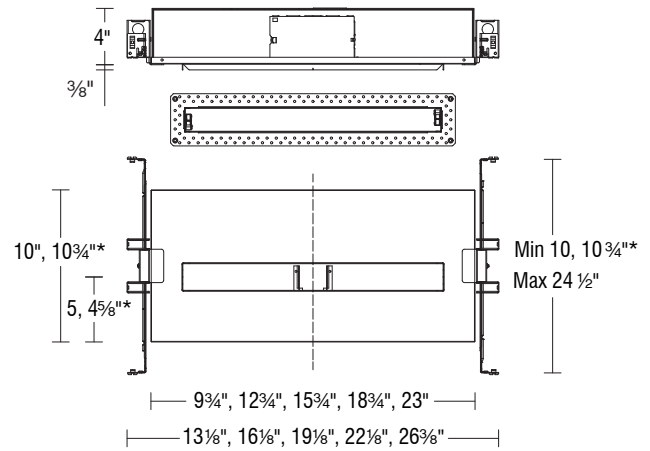
LINE DRAWING

TRIMMED (R1GNT)



* Dimensions Applicable to 12 Cell Housing ONLY

TRIMLESS (R1GNL)



* Dimensions Applicable to 12 Cell Housing ONLY

PRODUCT DESCRIPTION

Multi Stealth Recessed features a quiet aperture for a nearly glare-free environment. Its linear multi-cell form factor features a 1.5" aperture, with availability in up to 5 lengths. This series offers a downlight with 40° visual cutoff, an adjustable option with 35° bidirectional tilt, and a wall washer with specialized optics for even wall illumination. Trimmed and trimless options allow flexibility when integrating into building architecture.

Model	Size	Wattage	Rating
R1GNTA R1GNLA	02 2 Cell	8W	IC, Airtight
	04 4 Cell	14W	IC, Airtight
	06 6 Cell	20W	IC, Airtight
	08 8 Cell	27W	IC, Airtight
	12 12 Cell	38W	Non-IC, Airtight

SPECIFICATIONS

- Mounting:** Universal mounting brackets and hanger bars
Accommodates 1/2" - 1 1/2" ceiling thickness
- Construction:** 20 gauge galvanized sheet
- Input:** Universal 120-277V AC, 50/60 Hz
- Dimming:** ELV, TRIAC: 100 - 5%
0-10V: 100 - 1%
- Standards:** ETL & cETL, IC-rated, Airtight (see list)
- Warranty:** 5 year WAC Lighting guaranteed warranty

Multi Stealth

New Construction Housing - Adjustable

R1GNTA | R1GNLA

Fixture Type: _____

Project: _____

Catalog#: _____

Location: _____

ORDERING INFORMATION

HOUSINGS - Adjustable				
Model	Size		Wattage	Rating
New Construction Trim - Airtight R1GNTA	02	2 Cell	8W	IC, Airtight
	04	4 Cell	14W	IC, Airtight
	06	6 Cell	20W	IC, Airtight
	08	8 Cell	27W	IC, Airtight
	12	12 Cell	38W	Non-IC, Airtight
New Construction Trimless - Airtight R1GNLA	02	2 Cell	8W	IC, Airtight
	04	4 Cell	14W	IC, Airtight
	06	6 Cell	20W	IC, Airtight
	08	8 Cell	27W	IC, Airtight
	12	12 Cell	38W	Non-IC, Airtight

R1GN ____

Example: R1GNTA04

Multi Stealth

New Construction Housing - Adjustable

R1GNTA | R1GNLA

Fixture Type: _____

Project: _____

Catalog#: _____

Location: _____

PERFORMANCE DATA

HOUSING MODEL	HOUSING DESCRIPTION	TRIM MODEL	TRIM DESCRIPTION	CUTOUT DIMENSION
R1GNTA02	2 CELL NC HOUSING ADJUSTABLE (TRIM)	R1GAT02	2 CELL ADJUSTABLE (TRIM)	4 3/16" x 2 9/16"
R1GNLA02	2 CELL NC HOUSING ADJUSTABLE (TRIMLESS)	R1GAL02	2 CELL ADJUSTABLE (TRIMLESS)	
R1GNTA04	4 CELL NC HOUSING ADJUSTABLE (TRIM)	R1GAT04	4 CELL ADJUSTABLE (TRIM)	7 3/16" x 2 1/2"
R1GNLA04	4 CELL NC HOUSING ADJUSTABLE (TRIM)	R1GAL04	4 CELL ADJUSTABLE (TRIMLESS)	
R1GNTA06	6 CELL NC HOUSING ADJUSTABLE (TRIM)	R1GAT06	6 CELL ADJUSTABLE (TRIM)	10 3/16" x 2 1/2"
R1GNLA06	6 CELL NC HOUSING ADJUSTABLE (TRIMLESS)	R1GAL06	6 CELL ADJUSTABLE (TRIMLESS)	
R1GNTA08	8 CELL NC HOUSING ADJUSTABLE (TRIM)	R1GAT08	8 CELL ADJUSTABLE (TRIM)	13 1/4" x 2 1/2"
R1GNLA08	8 CELL NC HOUSING ADJUSTABLE (TRIMLESS)	R1GAL08	8 CELL ADJUSTABLE (TRIMLESS)	
R1GNTA12	12 CELL NC HOUSING ADJUSTABLE (TRIM)	R1GAT12	12 CELL ADJUSTABLE (TRIM)	19 5/16" x 2 1/2"
R1GNLA12	12 CELL NC HOUSING ADJUSTABLE (TRIMLESS)	R1GAL12	12 CELL ADJUSTABLE (TRIMLESS)	

Abbreviations:

NC - New Construction