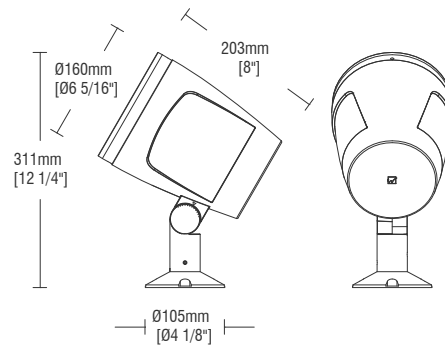


Panther Static White PAL6 (49W)

Fixture Type: _____
 Project: _____
 Catalog#: _____
 Location: _____



LINE DRAWING



PRODUCT DESCRIPTION

Utilizing the latest LED technology, the PANTHER series of luminaire features a low-profile design and high optical performance, available in a variety of sizes. The series supports vertical or horizontal mounting with precise adjustments in the direction of rotation. Recommended for architectural façade lighting or landscape spotlighting.

SPECIFICATIONS

| | |
|-------------------------------------|--|
| Construction: | Durable die-cast aluminum construction |
| Mounting: | Outdoor installation |
| Light Source: | High output 3-step Mac Adam Ellipse Rated life of 50,000 hours at L70 |
| Input: | Universal 120-277V AC, 50/60 Hz |
| Power: | 49W |
| Controls: | 0-10V, DMX512-A with RDM |
| Maximum Delivered Intensity: | Up to 140,637 cd (Ultra Narrow 6°, 4000K) |
| Maximum Delivered Output: | Up to 3,116 lm (Ultra Narrow 6°, 4000K) |
| Operating Temperature: | -4°F to 122°F (-20°C to 50°C) |
| Standards: | UL & cUL Wet location listed |
| Warranty: | 5 year WAC Lighting guaranteed warranty |

BEAM ANGLES



FINISHES



| Model | Beam | Lumens Ref Output* | CBCP | Efficacy (lm/W) | Color Temp |
|-------------------------|-------|-----------------------|---------|--------------------|------------|
| PAL6 Ø160mm Ø6.3" | U 6° | 2,912 | 131,436 | 54 | 927-2700K |
| | S 13° | 2,165 | 19,068 | 40 | |
| | N 22° | 2,282 | 10,957 | 42 | 930-3000K |
| | M 34° | 2,738 | 6,634 | 51 | 935-3500K |
| | W 50° | 2,239 | 3,118 | 42 | 940-4000K |

*Lumens and CBCP are reference values for 3000K Color Temperature. Refer to Multiplier Table in Performance Data to determine other outputs.

Panther Static White PAL6 (49W)

Fixture Type: _____
 Project: _____
 Catalog#: _____
 Location: _____

ORDERING INFORMATION

| CONFIGURATION TABLE | | | | |
|---------------------|---|-----------------------------|-------------------------|-------------------|
| Model & Power | Dimming | Beam Angle | Color Temperature & CRI | Housing Finish |
| PAL6 (29W) | L - 0-10V D - DMX512-A | U - Ultra Narrow 6° | 927 - 2700K - 90 | BK - BLACK |
| | | S - Spot 13° | 930 - 3000K - 90 | |
| | | N - Narrow Flood 22° | 940 - 4000K - 90 | |
| | | M - Medium Flood 34° | | |
| | | W - Wide Flood 50° | | |

PAL6-29_ - ____ -BK

Example: PAL6-29D-M930-BK

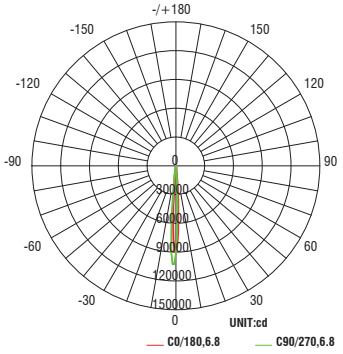
| ACCESSORIES | |
|---------------|---------------------------------------|
| PAL6-SHR-BK | <i>Panther 6" Shroud - Black</i> |
| PAL6-SNOOT-BK | <i>Panther 6" Snoot - Black</i> |
| AL-TMS-BK | <i>Tree Mount Bracket - Small</i> |
| AL-TML-BK | <i>Tree Mount Bracket - Large</i> |
| AL-TRM-BK | <i>Tree Ring Mount</i> |
| M6000-STAKE | <i>Ground Stake</i> |
| AL-PM-BK | <i>Pole Mount Bracket</i> |
| AL-PS-3-BK | <i>3" Pole Sleeve</i> |
| AL-PCM-S-BK | <i>Pole Clamp - Single</i> |
| AL-PCM-AD-BK | <i>Pole Clamp Adjustable - Double</i> |

Fixture Type: _____
 Project: _____
 Catalog#: _____
 Location: _____

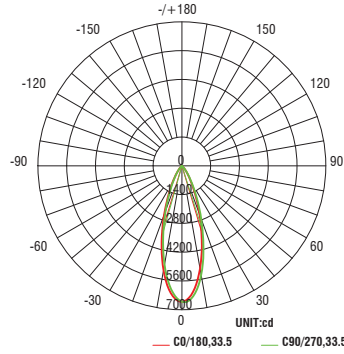
PERFORMANCE DATA

Polar Candela Distribution Charts
 Samples shown from a fixture set to 3000K.

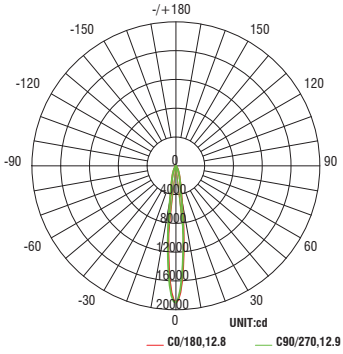
U - Ultra Narrow 6°



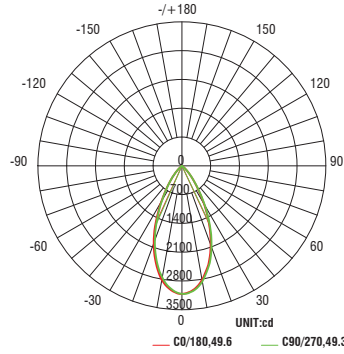
M - Medium Flood Beam 34°



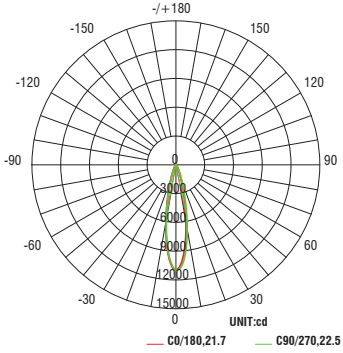
S - Spot Beam 13°



W - Wide Flood 50°



N - Narrow Flood Beam 22°



Panther
 Static White
 PAL6 (49W)

Fixture Type: _____
 Project: _____
 Catalog#: _____
 Location: _____

PERFORMANCE DATA

Unified Glare Rating (UGR) Table

General performance of fixtures set to 3000K shown below.

| Fixture | Angle | UGR Range |
|--------------|-------|-----------|
| Very Narrow | 6° | ≤ 8 |
| Spot | 13° | ≤ 14 |
| Narrow Flood | 22° | ≤ 12 |
| Medium Flood | 34° | ≤ 17 |
| Wide Flood | 50° | ≤ 19 |

Lumens and CBCP Multiplier Table

Use the below table to determine lumens and CBCP values for the combinations of power, color temperature, and CRI values.

| Color Temperature | | | | |
|-------------------|-------|-------|-------|-------|
| 2700K | 3000K | 3500K | 4000K | 5000K |
| 0.96 | 1.00 | 1.04 | 1.07 | 1.12 |