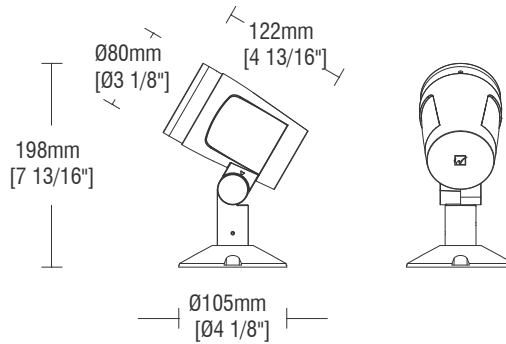


Panther RGBW PAL3 (8.6W)

Fixture Type: _____
 Project: _____
 Catalog#: _____
 Location: _____



LINE DRAWING



PRODUCT DESCRIPTION

Utilizing the latest LED technology, the PANTHER series of luminaire features a low-profile design and high optical performance, available in a variety of sizes. The series supports vertical or horizontal mounting with precise adjustments in the direction of rotation. Recommended for architectural façade lighting or landscape spot lighting.

SPECIFICATIONS

Construction:	Durable die-cast aluminum construction
Mounting:	Outdoor installation
Light Source:	High output 3-step Mac Adam Ellipse Rated life of 50,000 hours at L70
Input:	Universal 120-277V AC, 50/60 Hz
Power:	8.6W
Dimming:	DMX512-A with RDM
Maximum Delivered Intensity:	Up to 3,517 cd (Spot 16°, 4000K)
Maximum Delivered Output:	Up to 312 lm (Narrow Flood 25°, 4000K)
Operating Temperature:	-4°F to 122°F (-20°C to 50°C)
Standards:	UL & cUL Wet location listed
Warranty:	5 year WAC Lighting guaranteed warranty

BEAM ANGLES



FINISHES



Model	Beam	Lumens Ref Output*	CBCP	Efficacy (lm/W)	Color Temp
PAL3 Ø80mm Ø3.2"	S 16°	289	3,287	33	927-2700K
	N 25°	292	1,210	33	930-3000K
	M 35°	284	666	33	935-3500K 940-4000K

*Lumens and CBCP are reference values for 3000K Color Temperature. Refer to Multiplier Table in Performance Data to determine other outputs.

Panther RGBW PAL3 (8.6W)

Fixture Type: _____
 Project: _____
 Catalog#: _____
 Location: _____

ORDERING INFORMATION

CONFIGURATION TABLE				
Model & Power	Color Temperature & CRI	Dimming	Beam Angle	Housing Finish
PAL3 (8.6W)	RGBW30 - 3000K - 80 CRI	D - DMX512-A	S - Spot 16°	BK - BLACK
	RGBW40 - 4000K - 80 CRI		N - Narrow Flood 25°	
	RGBW60 - 6000K - 80 CRI		M - Medium Flood 35°	

PAL3-RBGW__D-_-BK

Example: PAL3-RBGW40D-N-BK

ACCESSORIES	
PAL3-SHR-BK	<i>Panther 3" Shroud - Black</i>
PAL3-SNOOT-BK	<i>Panther 3" Snoot - Black</i>
AL-TMS-BK	<i>Tree Mount Bracket - Small</i>
AL-TML-BK	<i>Tree Mount Bracket - Large</i>
AL-TRM-BK	<i>Tree Ring Mount</i>
M6000-STAKE	<i>Ground Stake</i>
AL-PM-BK	<i>Pole Mount Bracket</i>
AL-PS-3-BK	<i>3" Pole Sleeve</i>
AL-PCM-S-BK	<i>Pole Clamp - Single</i>
AL-PCM-AD-BK	<i>Pole Clamp Adjustable - Double</i>

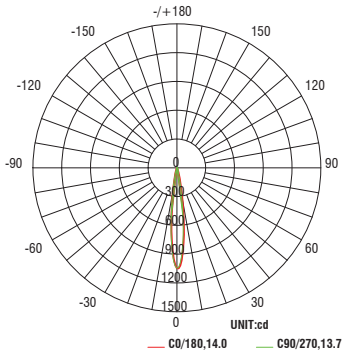
Fixture Type: _____
 Project: _____
 Catalog#: _____
 Location: _____

PERFORMANCE DATA

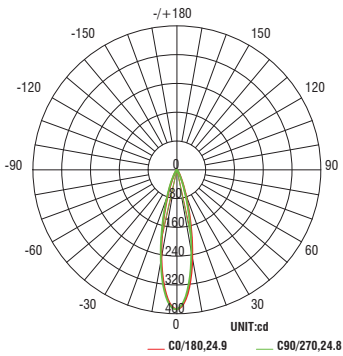
Polar Candela Distribution Charts

Samples shown from a fixture set to 3000K.

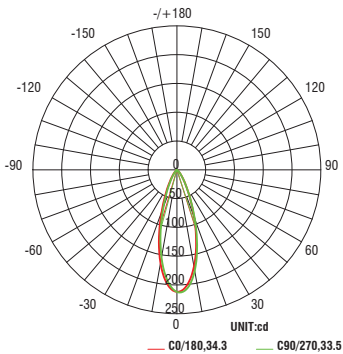
S - Spot Beam 16°



N - Narrow Flood Beam 25°



M - Medium Flood Beam 35°



Panther
RGBW
PAL3 (8.6W)

Fixture Type: _____
 Project: _____
 Catalog#: _____
 Location: _____

PERFORMANCE DATA

Unified Glare Rating (UGR) Table

General performance of fixtures set to 3000K shown below.

Fixture	Angle	UGR Range
Spot	16°	≤2
Narrow Flood	25°	≤6
Medium Flood	35°	≤10

Lumens and CBCP Multiplier Table

Use the below table to determine lumens and CBCP values for the combinations of power, color temperature, and CRI values.

Color Temperature				
2700K	3000K	3500K	4000K	5000K
0.96	1.00	1.04	1.07	1.12