

Falcon High Power COB

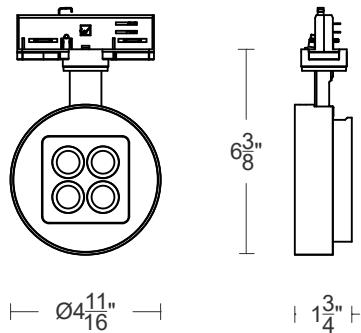
WTK-71S | WHK-71S | MO-N71S | MO-R71S

Fixture Type: _____
 Project: _____
 Catalog#: _____
 Location: _____

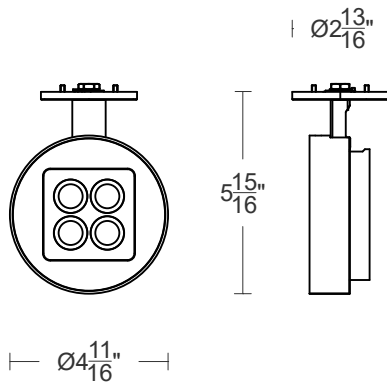


LINE DRAWING

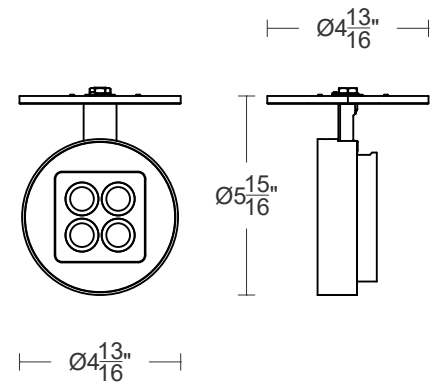
Track (WTK-71S, WHK-71S)



New Construction (MO-N71S)



Remodel (MO-R71S)



PRODUCT DESCRIPTION

Museum-grade track luminaire engineered for precise beam control and glare management. Designed for galleries and curated environments.

SPECIFICATIONS

Construction:	Injection molded polycarbonate low glare trim
Mounting:	Track mounted (WTK, WHK); ceiling mounted (MO) Ceiling cut out: $\varnothing 4\frac{1}{2}$ " Accommodates 1/2" - 2" ceiling thickness
Light Source:	High output 3-step Mac Adam Ellipse COB Rated life of 50,000 hours at L70
Input:	120 VAC (WTK), 277 VAC (WHK), 120-277 VAC (MO)
Power:	16W
Dimming:	ELV, TRIAC, BLE, and 0-10V: 100 - 1%
Operating Temperature:	-4°F to 104°F (-20°C to 40°C)
Standards:	UL & cUL
Warranty:	5 year WAC Lighting guaranteed warranty

BEAM ANGLES



FINISHES



Model	Beam	Lumens Ref Output*	CBCP	Efficacy (lm/W)
WTK-71S WHK-71S $\varnothing 4.8125$ " MO-N71S $\varnothing 122$ mm MO-R71S	V 11°	660	15,522	44
	S 15°	562	6,874	37
	N 24°	951	5,157	63
	M 36°	954	3,302	63
	F 40°	976	1,695	58
	A Asym	741	962	49
	G 18° X 52°	531	2,573	35
	E 13° X 45°	518	2,568	34

*Lumens and CBCP are reference values for fixtures set to 3000K Color Temperature. Refer to Multiplier Table in Performance Data to determine other outputs.



Falcon High Power COB

WTK-71S | WHK-71S | MO-N71S | MO-R71S

Fixture Type: _____
 Project: _____
 Catalog#: _____
 Location: _____

ORDERING INFORMATION

CONFIGURATION TABLE			
Model & Power	Beam Angle	Color Temperature & CRI	Housing Finish
WTK-71S (120V)	V - Very Narrow 11°	927 - 2700K	BK - BLACK
WHK-71S (277V)	S - Spot 15°	930 - 3000K	WT - WHITE
MO-N71S (120-277V)	N - Narrow Flood 24°	935 - 3500K	
MO-R71S (120-277V)	M - Medium Flood 36°	940 - 4000K	
	F - Flood 40°		
	A - Wall Wash/Asymmetric		
	G - Grazer 18° X 52°		
	E - Elongating 13° X 45°		

W_K-71S-_____

Example: WTK-71S-S930WT

MO-_71S-_____

Example: MO-N71S-M930BK

ACCESSORIES			
M-TL71-FC-STD-BK	<i>Falcon TL71 Front Cover Standard Beam</i>	M-TL71-FILM-5D	<i>Falcon TL71 Diffuser Film 5°</i>
M-TL71-FC-WW-BK	<i>Falcon TL71 Front Cover Wall Wash</i>	M-TL71-FILM-20D	<i>Falcon TL71 Diffuser Film 20°</i>
M-TL71-PRIS-15	<i>Falcon TL71 Prismatic Lens S</i>		
M-TL71-PRIS-13X45	<i>Falcon TL71 Prismatic Lens E</i>		
M-TL71-PRIS-18X52	<i>Falcon TL71 Prismatic Lens G</i>		
M-TL71-LENS-07	<i>Falcon TL71 Lens Assembly 7°</i>		
M-TL71-LENS-20	<i>Falcon TL71 Lens Assembly 20°</i>		
M-TL71-LENS-30	<i>Falcon TL71 Lens Assembly 30°</i>		
M-TL71-LENS-40	<i>Falcon TL71 Lens Assembly 40°</i>		
M-TL71-LENS-WW	<i>Falcon TL71 Lens Assembly Wall Wash</i>		
M-TL71-LED-27	<i>Falcon TL71 LED Module 2700K</i>		
M-TL71-LED-30	<i>Falcon TL71 LED Module 3000K</i>		
M-TL71-LED-35	<i>Falcon TL71 LED Module 3500K</i>		
M-TL71-LED-40	<i>Falcon TL71 LED Module 4000K</i>		
M-FAL-MO-NCONST-BK	<i>New Construction Monopoint Kit - Black</i>		
M-FAL-MO-NCONST-WT	<i>New Construction Monopoint Kit - White</i>		
M-FAL-MO-REM-BK	<i>Remodel Monopoint Kit - Black</i>		
M-FAL-MO-REM-WT	<i>Remodel Monopoint Kit - White</i>		

ORDERING NOTES

- The WTK-71S fixture is 120V and the WHK-71S fixture is 277V. Both fixtures are track mounted.
- The MO-N71S fixture is a ceiling mounted monopoint fixture for New Construction installations. The MO-R71S fixture is a ceiling mounted monopoint fixture for Remodel installations.

wacarchitectural.com | WAC Architectural, a WAC Group brand.

WAC Group Headquarters
 44 Harbor Park Drive
 Port Washington, NY 11050

WAC Architectural
 Phone (800) 526.2588
 Fax (800) 526.2585

APR 2026 | P. 2 of 4

WAC GROUP

Falcon

High Power COB

WTK-71S | WHK-71S | MO-N71S | MO-R71S

Fixture Type: _____

Project: _____

Catalog#: _____

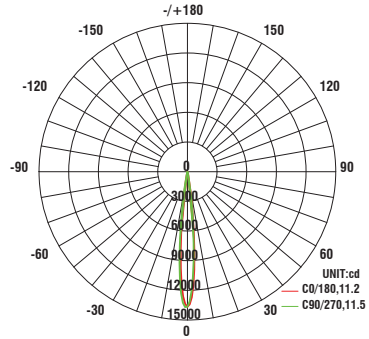
Location: _____

PERFORMANCE DATA

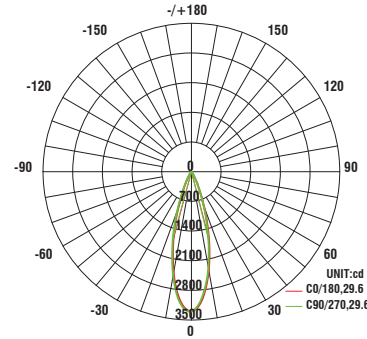
Polar Candela Distribution Charts

Samples shown with a fixture set to 3000K.

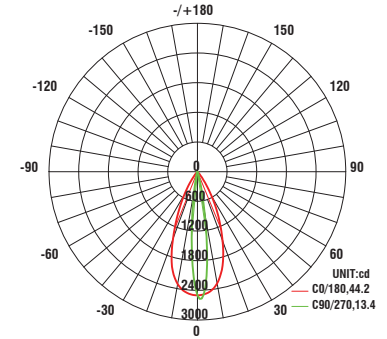
Very Narrow Beam: 11° Beam



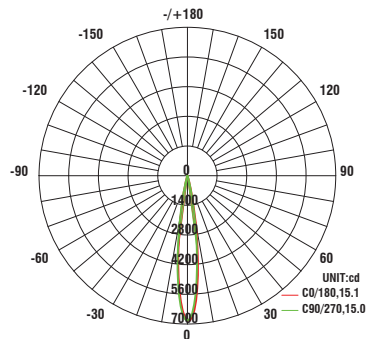
Medium Flood Beam: 36° Beam



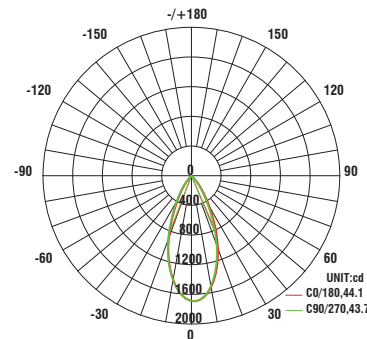
Grazer Beam: 18° X 52° Beam



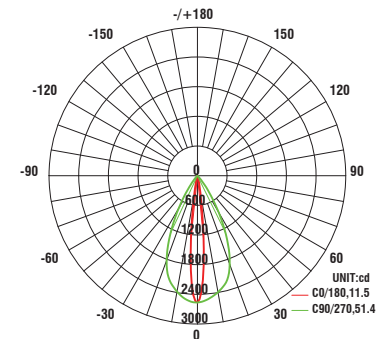
Spot Beam: 15° Beam



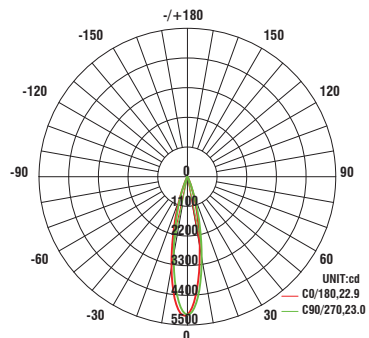
Flood Beam: 40° Beam



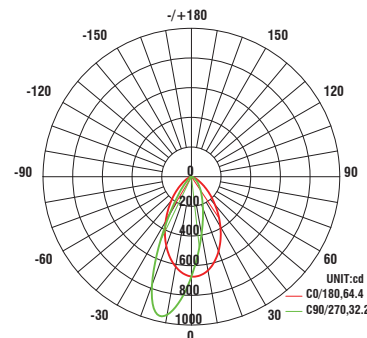
Elongating Beam: 13° X 45° Beam



Narrow Flood Beam: 24° Beam



Wall Wash Beam: Asymmetric



Falcon

High Power COB

WTK-71S | WHK-71S | MO-N71S | MO-R71S

Fixture Type: _____
 Project: _____
 Catalog#: _____
 Location: _____

PERFORMANCE DATA

Unified Glare Rating (UGR) Table

UGR values shown are calculated for a fixture at 3000K and 90 CRI.

Round Fixture	Angle	UGR Range
Very Narrow	11°	≤0
Spot	15°	≤0
Narrow Flood	24°	≤2
Medium Flood	36°	≤10
Wide Flood	55°	≤19
Wall Wash	Asymmetric	≤25
Grazer	18° x 52°	≤15
Elongating	13° x 45°	≤17

Lumens and CBCP Multiplier Table

Use the below table to determine lumens and CBCP values for the combinations of power, color temperature, and CRI values.

Color Temperature			
2700K	3000K	3500K	4000K
0.93	1.00	1.04	1.04