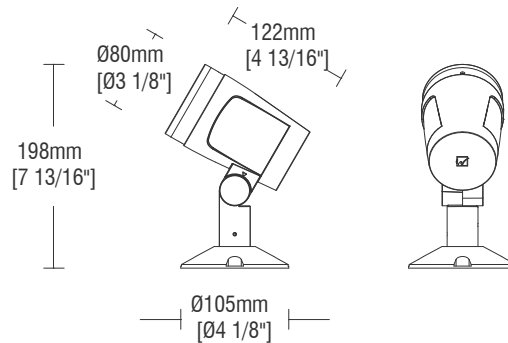


Panther Static White PAL3 (8W)

Fixture Type: _____
 Project: _____
 Catalog#: _____
 Location: _____



LINE DRAWING



PRODUCT DESCRIPTION

Utilizing the latest LED technology, the PANTHER series of luminaire features a low-profile design and high optical performance, available in a variety of sizes. The series supports vertical or horizontal mounting with precise adjustments in the direction of rotation. Recommended for architectural façade lighting or landscape spot lighting.

SPECIFICATIONS

Construction:	Durable die-cast aluminum construction
Mounting:	Outdoor installation
Light Source:	High output 3-step Mac Adam Ellipse Rated life of 50,000 hours at L70
Input:	Universal 120-277V AC, 50/60 Hz
Power:	8W
Controls:	0-10V, DMX512-A with RDM
Maximum Delivered Intensity:	Up to 21,189 cd (Ultra Narrow 6°, 4000K)
Maximum Delivered Output:	Up to 472 lm (Ultra Narrow 6°, 4000K)
Operating Temperature:	-4°F to 122°F (-20°C to 50°C)
Standards:	UL & cUL Wet location listed
Warranty:	5 year WAC Lighting guaranteed warranty

BEAM ANGLES



FINISHES



Model	Beam	Lumens Ref Output*	CBCP	Efficacy (lm/W)	Color Temp
PAL3 Ø80mm Ø3.2"	U 6°	441	19,803	48	927-2700K
	S 13°	331	3,133	36	
	N 22°	346	1,775	38	930-3000K
	M 34°	427	1,044	47	935-3500K
	W 50°	341	486	37	940-4000K

*Lumens and CBCP are reference values for 3000K Color Temperature. Refer to Multiplier Table in Performance Data to determine other outputs.

Panther Static White PAL3 (8W)

Fixture Type: _____
 Project: _____
 Catalog#: _____
 Location: _____

ORDERING INFORMATION

CONFIGURATION TABLE				
Model & Power	Dimming	Beam Angle	Color Temperature & CRI	Housing Finish
PAL3 (8W)	L - 0-10V D - DMX512-A	U - Ultra Narrow 6°	927 - 2700K - 90	BK - BLACK
		S - Spot 13°	930 - 3000K - 90	
		N - Narrow Flood 22°	940 - 4000K - 90	
		M - Medium Flood 34°		
		W - Wide Flood 50°		

PAL3-08 - ____ -BK

Example: PAL3-08D-M930-BK

ACCESSORIES	
PAL3-SHR-BK	<i>Panther 3" Shroud - Black</i>
PAL3-SNOOT-BK	<i>Panther 3" Snoot - Black</i>
AL-TMS-BK	<i>Tree Mount Bracket - Small</i>
AL-TML-BK	<i>Tree Mount Bracket - Large</i>
AL-TRM-BK	<i>Tree Ring Mount</i>
M6000-STAKE	<i>Ground Stake</i>
AL-PM-BK	<i>Pole Mount Bracket</i>
AL-PS-3-BK	<i>3" Pole Sleeve</i>
AL-PCM-S-BK	<i>Pole Clamp - Single</i>
AL-PCM-AD-BK	<i>Pole Clamp Adjustable - Double</i>

Fixture Type: _____

Project: _____

Catalog#: _____

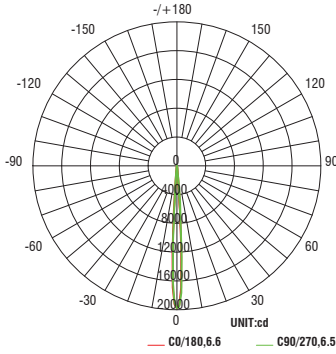
Location: _____

PERFORMANCE DATA

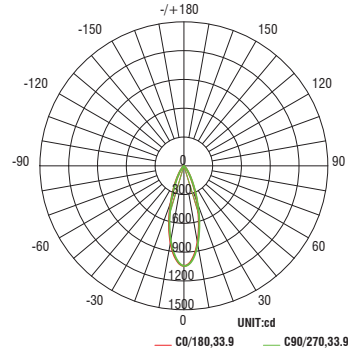
Polar Candela Distribution Charts

Samples shown from a fixture set to 3000K.

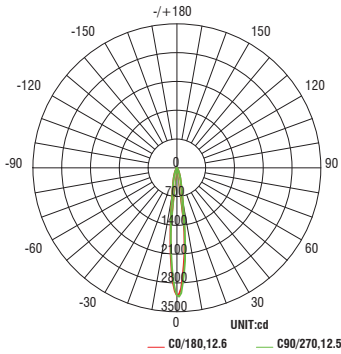
U - Ultra Narrow 6°



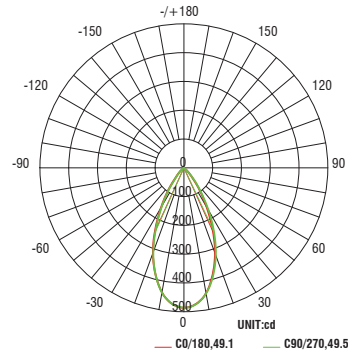
M - Medium Flood Beam 34°



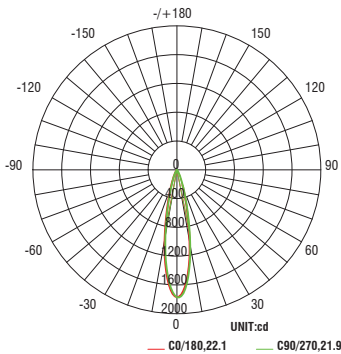
S - Spot Beam 13°



W - Wide Flood 50°



N - Narrow Flood Beam 22°



Panther
 Static White
 PAL3 (8W)

Fixture Type: _____
 Project: _____
 Catalog#: _____
 Location: _____

PERFORMANCE DATA

Unified Glare Rating (UGR) Table

General performance of fixtures set to 3000K shown below.

Fixture	Angle	UGR Range
Very Narrow	6°	≤2
Spot	13°	≤8
Narrow Flood	22°	≤6
Medium Flood	34°	≤13
Wide Flood	50°	≤16

Lumens and CBCP Multiplier Table

Use the below table to determine lumens and CBCP values for the combinations of power, color temperature, and CRI values.

Color Temperature				
2700K	3000K	3500K	4000K	5000K
0.96	1.00	1.04	1.07	1.12