

## FQ Dim-To-Warm

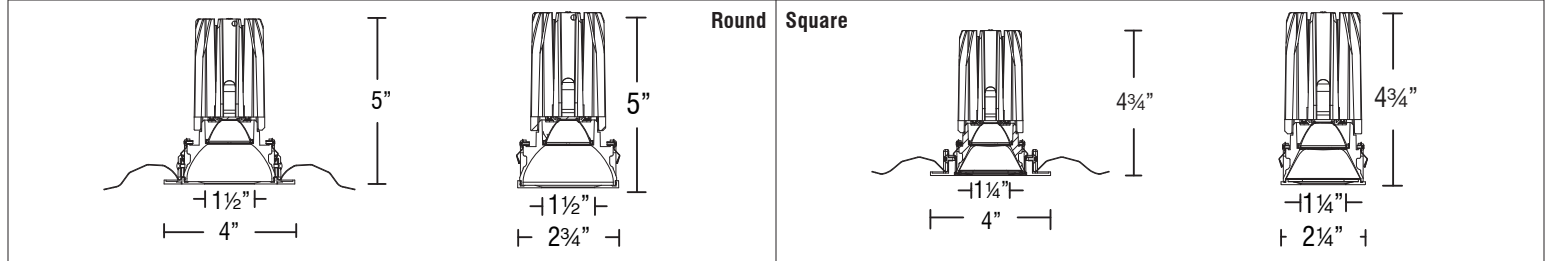
### 2" Pinhole

R2FRPT | R2FRPL | R2FSPT | R2FSPL

Fixture Type: \_\_\_\_\_  
 Project: \_\_\_\_\_  
 Catalog#: \_\_\_\_\_  
 Location: \_\_\_\_\_



#### LINE DRAWING



#### PRODUCT DESCRIPTION

The FQ Recessed series offers a complete line of high performance LED luminaires that provide outstanding functionality and quality. The FQ series features superlative glare control with 30° shielding, 35° vertical tilting, and uniform floor-to-ceiling wall washing. Multiple power level options and a full line of round and square, trimmed and trimless luminaires offer versatile solutions for various lighting applications. Easy to order, install, and service.

#### SPECIFICATIONS

<b>Construction:</b>	Durable die-cast aluminum construction
<b>Mounting:</b>	Heavy gauge retention clips support trim firmly Ceiling cut out (Round): Trim $\varnothing 3\frac{1}{2}"$ Trimless $\varnothing 3\frac{1}{2}"$ Ceiling cut out (Square): Trim $3\frac{1}{2}" \times 3\frac{1}{2}"$ Trimless $3\frac{1}{2}" \times 3\frac{1}{2}"$ Accommodates $\frac{1}{2}" - 1"$ ceiling thickness
<b>Light Source:</b>	High output 3-step Mac Adam Ellipse COB Rated life of 50,000 hours at L70
<b>Input:</b>	Universal 120-277V AC, 50/60 Hz
<b>Dimming:</b>	ELV, TRIAC, 0-10V: 100 - 1%
<b>Maximum Delivered Intensity:</b>	Up to 1,625 cd (Square Narrow Flood 23°)
<b>Maximum Delivered Output:</b>	Up to 415 lm (Square Narrow Flood 23°)
<b>Operating Temperature:</b>	-4°F to 104°F (-20°C to 40°C)
<b>Standards:</b>	ETL & cETL Damp location listed, Title 24 JA8 Compliant
<b>Warranty:</b>	5 year WAC Lighting guaranteed warranty

#### BEAM ANGLES



#### FINISHES



Model	Beam	Lumens	CBCP
			Ref Output*
R2FRPT Round Trim	N 23°	Round 395 Square 415	1600 1625
R2FRPL Round Trimless			
R2FSPT Square Trim			
R2FSPL Square Trimless			

\*Lumens and CBCP are reference values for a trim fixture set to 3000K Color Temperature. Refer to Multiplier Table in Performance Data to determine other outputs.

## FQ Dim-To-Warm

2" Pinhole

R2FRPT | R2FRPL | R2FSPT | R2FSPL

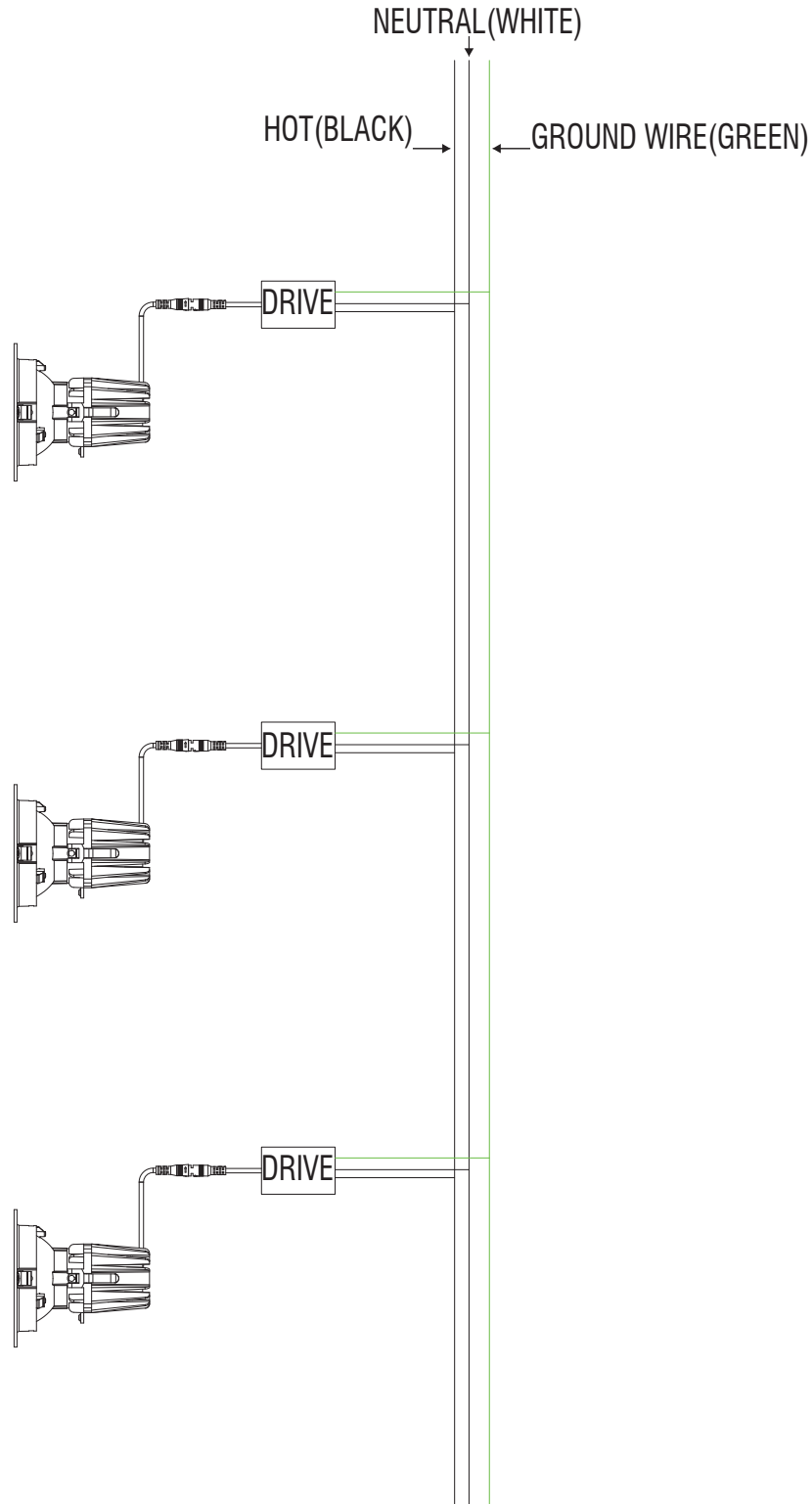
Fixture Type: \_\_\_\_\_

Project: \_\_\_\_\_

Catalog#: \_\_\_\_\_

Location: \_\_\_\_\_

### WIRING DIAGRAMS



# FQ Dim-To-Warm

2" Pinhole

R2FRPT | R2FRPL | R2FSPT | R2FSPL

Fixture Type: \_\_\_\_\_

Project: \_\_\_\_\_

Catalog#: \_\_\_\_\_

Location: \_\_\_\_\_

## ORDERING INFORMATION

CONFIGURATION TABLE		
Model	Color Temperature & CRI	Reflector Finish
<b>R2FRPT</b>	<b>WD - 3000K-1800K - 90</b>	<b>BK - BLACK</b>
<b>R2FRPL</b>		<b>DB - DARK BRONZE</b>
<b>R2FSPT</b>		<b>HZ - HAZE</b>
<b>R2FSPL</b>		<b>HZWT - HAZE/WHITE</b>
		<b>WT - WHITE</b>

**R2F\_\_-WD-\_\_**

Example: R2FRPT-WD-WT

### ORDERING NOTES

1. The "Haze/White" finish is only available on trimmed fixtures (R2FRPT, R2FSPT).
2. The "Haze" finish is only available on trimless fixtures (R2FRPL, R2FSPL)

FQ Dim-To-Warm  
2" Pinhole

R2FRPT | R2FRPL | R2FSPT | R2FSPL

Fixture Type: \_\_\_\_\_  
Project: \_\_\_\_\_  
Catalog#: \_\_\_\_\_  
Location: \_\_\_\_\_

**ORDERING INFORMATION**

HOUSINGS				
	Model	Power		Emergency Backup
New Construction Airtight - Round & Square Trim	<b>R2FBNT</b>	1 15W IC		EM <i>Optional</i>
New Construction Frame-In - Round & Square Trim	<b>R2FBFT</b>	1 15W Non-IC		EM <i>Optional</i>
Remodel - Round & Square Trim	<b>R2FBRT</b>	1 15W Non-IC		N/A
New Construction IC Airtight - Round Trimless	<b>R2FRNL</b>	1 15W IC		N/A
New Construction IC Airtight - Square Trimless	<b>R2FSNL</b>	1 15W IC		N/A
Remodel - Round Trimless	<b>R2FRRL</b>	1 15W Non-IC		N/A
Remodel - Square Trimless	<b>R2FSRL</b>	1 15W Non-IC		N/A
Remodel - Round & Square Trim	<b>R2FBR2T</b>	1 15W IC		N/A

**R2F\_\_-\_\_**  
Example: R2FBNT-1

Millwork Housings	Size	Power
New Construction <b>R2FRNM</b>	A 0.8"	1 15W IC
	B 1.5"	
New Construction <b>R2FSNM</b>	A 0.8"	1 15W IC
	B 1.5"	

**R2F\_\_-\_\_-1**  
Example: R2FRNM-A-1

# FQ Dim-To-Warm

## 2" Pinhole

R2FRPT | R2FRPL | R2FSPT | R2FSPL

Fixture Type: \_\_\_\_\_

Project: \_\_\_\_\_

Catalog#: \_\_\_\_\_

Location: \_\_\_\_\_

### FEATURES

<p><b>Optics:</b></p> <ul style="list-style-type: none"> <li>• High lumen output across the full Dim-to-Warm range</li> <li>• Powerful glare control due to the fixtures 30° shielding angle, 35° vertical tilting, and 360° horizontal rotation</li> </ul>	<p><b>Construction:</b></p> <ul style="list-style-type: none"> <li>• Two piece die-cast aluminum constructed body and trim</li> </ul>
<p><b>LED:</b></p> <ul style="list-style-type: none"> <li>• High output COB LED with a 3-step Mac Adam ellipse</li> <li>• Rated operational life of 50,000 hours at L70 (LED maintains 70% of its initial delivered lumens when brand new for 50,000 hours of use.)</li> </ul>	<p><b>Trim and Reflector:</b></p> <ul style="list-style-type: none"> <li>• Reflector with beam angle of 23° is included</li> </ul>
<p><b>Electrical:</b></p> <ul style="list-style-type: none"> <li>• Input power is universal 120-277VAC and 50/60 Hz</li> <li>• Available in 15W, 21W, and 25W power levels</li> </ul>	<p><b>Installation:</b></p> <ul style="list-style-type: none"> <li>• Light engine is mounted onto the trim using springs that allow for easy replacement</li> <li>• Heavy gauge retention clips firmly support the trim within the housing</li> </ul>
<p><b>Dimming:</b></p> <ul style="list-style-type: none"> <li>• Electronic Low Voltage (ELV), TRIAC, and 0-10V dimming are available</li> <li>• ELV, TRIAC, and 0-10V are all capable of a range of 100 - 1%</li> </ul>	<p><b>Warranty:</b></p> <ul style="list-style-type: none"> <li>• WAC Architectural limited warranty up to 5 years</li> <li>• Full warranty found at: <a href="http://wacighting.com/warranty">wacighting.com/warranty</a></li> </ul>
<p><b>Notes:</b></p> <ul style="list-style-type: none"> <li>• The White, Black, and Dark Bronze finishes are all electrostatically powder coated</li> <li>• The Haze finish is enamel coated</li> </ul>	

FQ Dim-To-Warm

2" Pinhole

R2FRPT | R2FRPL | R2FSPT | R2FSPL

Fixture Type: \_\_\_\_\_

Project: \_\_\_\_\_

Catalog#: \_\_\_\_\_

Location: \_\_\_\_\_

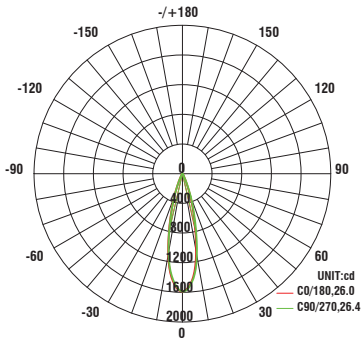
**PERFORMANCE DATA**

**Polar Candela Distribution Charts**

Samples shown with a fixture set to 3000K and 90 CRI.

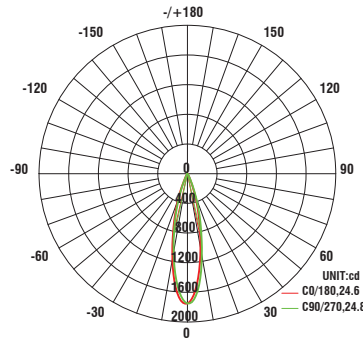
**ROUND**

Narrow Flood Beam: 25° Beam



**SQUARE**

Narrow Flood Beam: 25° Beam



## FQ Dim-To-Warm

2" Pinhole

R2FRPT | R2FRPL | R2FSPT | R2FSPL

Fixture Type: \_\_\_\_\_

Project: \_\_\_\_\_

Catalog#: \_\_\_\_\_

Location: \_\_\_\_\_

### PERFORMANCE DATA

#### Unified Glare Rating (UGR) Table

UGR values shown are calculated at 3000K and 90 CRI.

Round Fixture	Angle	UGR Range
Narrow Flood	25°	≤13

Square Fixture	Angle	UGR Range
Narrow Flood	25°	≤11

## FQ Dim-To-Warm

### 2" Pinhole

R2FRPT | R2FRPL | R2FSPT | R2FSPL

Fixture Type: \_\_\_\_\_

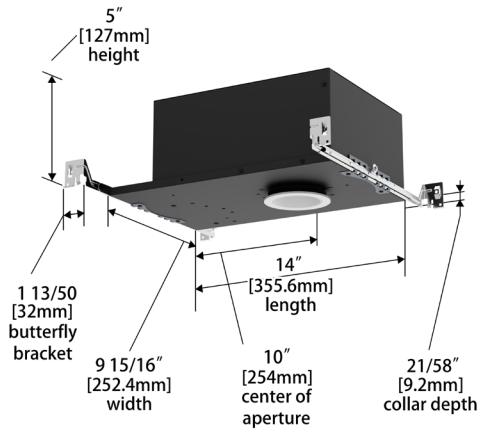
Project: \_\_\_\_\_

Catalog#: \_\_\_\_\_

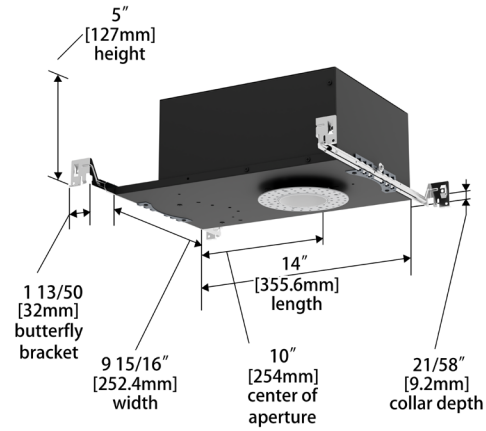
Location: \_\_\_\_\_

### DIMENSIONAL DIAGRAMS

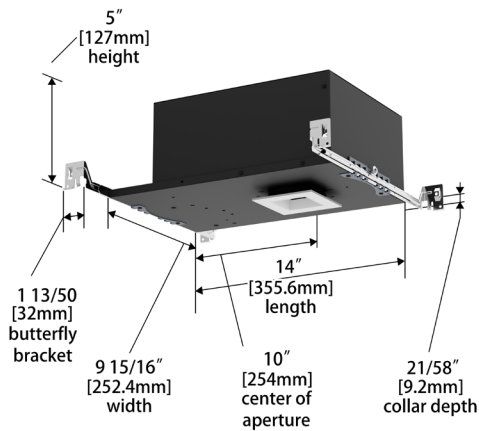
#### New Construction - Round Trim



#### New Construction - Round Trimless



#### New Construction - Square Trim



#### New Construction - Square Trimless

