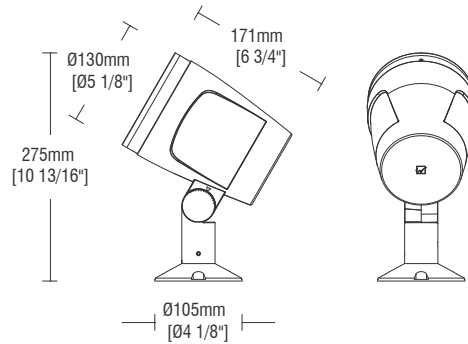


Panther RGBW PAL5 (22W)

Fixture Type: _____
 Project: _____
 Catalog#: _____
 Location: _____



LINE DRAWING



PRODUCT DESCRIPTION

Utilizing the latest LED technology, the PANTHER series of luminaire features a low-profile design and high optical performance, available in a variety of sizes. The series supports vertical or horizontal mounting with precise adjustments in the direction of rotation. Recommended for architectural façade lighting or landscape spot lighting.

SPECIFICATIONS

Construction:	Durable die-cast aluminum construction
Mounting:	Outdoor installation
Light Source:	High output 3-step Mac Adam Ellipse Rated life of 50,000 hours at L70
Input:	Universal 120-277V AC, 50/60 Hz
Power:	22W
Dimming:	DMX512-A with RDM
Maximum Delivered Intensity:	Up to 10,609 cd (Spot 16°, 4000K)
Maximum Delivered Output:	Up to 936 lm (Narrow Flood 25°, 4000K)
Operating Temperature:	-4°F to 122°F (-20°C to 50°C)
Standards:	UL & cUL Wet location listed
Warranty:	5 year WAC Lighting guaranteed warranty

BEAM ANGLES



FINISHES



Model	Beam	Lumens Ref Output*	CBCP	Efficacy (lm/W)	Color Temp
PAL5 Ø130mm Ø5.1"	S 16°	869	9,915	38	927-2700K
	N 25°	875	3,344	38	930-3000K
	M 35°	864	1,994	38	935-3500K 940-4000K

*Lumens and CBCP are reference values for 3000K Color Temperature. Refer to Multiplier Table in Performance Data to determine other outputs.

Panther
RGBW
 PAL5 (22W)

Fixture Type: _____
 Project: _____
 Catalog#: _____
 Location: _____

ORDERING INFORMATION

CONFIGURATION TABLE				
Model & Power	Color Temperature & CRI	Dimming	Beam Angle	Housing Finish
PAL5 (22W)	RGBW30 - 3000K - 80 CRI	D - DMX512-A	S - Spot 16°	BK - BLACK
	RGBW40 - 4000K - 80 CRI		N - Narrow Flood 25°	
	RGBW60 - 6000K - 80 CRI		M - Medium Flood 35°	

PAL5-RBGW__D_-_BK

Example: PAL5-RGBW40D-N-BK

ACCESSORIES	
PAL5-SHR-BK	<i>Panther 5" Shroud - Black</i>
PAL5-SNOOT-BK	<i>Panther 5" Snoot - Black</i>
AL-TMS-BK	<i>Tree Mount Bracket - Small</i>
AL-TML-BK	<i>Tree Mount Bracket - Large</i>
AL-TRM-BK	<i>Tree Ring Mount</i>
M6000-STAKE	<i>Ground Stake</i>
AL-PM-BK	<i>Pole Mount Bracket</i>
AL-PS-3-BK	<i>3" Pole Sleeve</i>
AL-PCM-S-BK	<i>Pole Clamp - Single</i>
AL-PCM-AD-BK	<i>Pole Clamp Adjustable - Double</i>

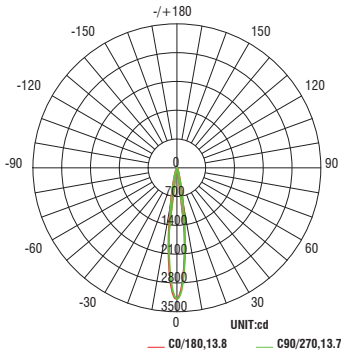
Fixture Type: _____
 Project: _____
 Catalog#: _____
 Location: _____

PERFORMANCE DATA

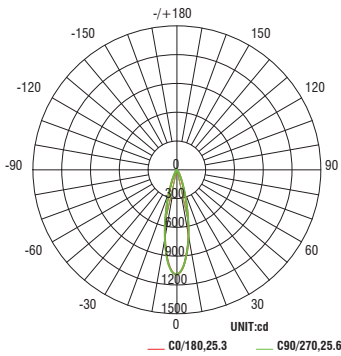
Polar Candela Distribution Charts

Samples shown from a fixture set to 3000K.

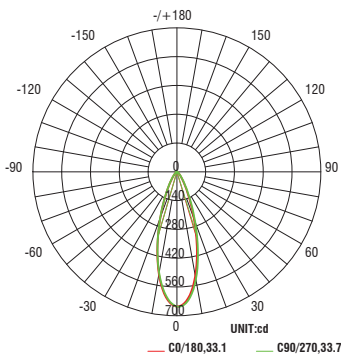
S - Spot Beam 16°



N - Narrow Flood Beam 25°



M - Medium Flood Beam 35°



Fixture Type: _____
 Project: _____
 Catalog#: _____
 Location: _____

PERFORMANCE DATA

Unified Glare Rating (UGR) Table

General performance of fixtures set to 3000K shown below.

Fixture	Angle	UGR Range
Spot	16°	≤4
Narrow Flood	25°	≤8
Medium Flood	35°	≤11

Lumens and CBCP Multiplier Table

Use the below table to determine lumens and CBCP values for the combinations of power, color temperature, and CRI values.

Color Temperature				
2700K	3000K	3500K	4000K	5000K
0.96	1.00	1.04	1.07	1.12