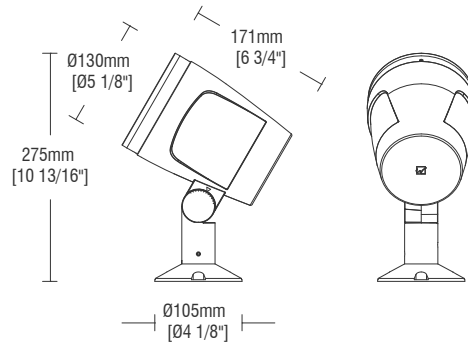


## Panther Static White PAL5 (29W)

Fixture Type: \_\_\_\_\_  
 Project: \_\_\_\_\_  
 Catalog#: \_\_\_\_\_  
 Location: \_\_\_\_\_



### LINE DRAWING



### PRODUCT DESCRIPTION

Utilizing the latest LED technology, the PANTHER series of luminaire features a low-profile design and high optical performance, available in a variety of sizes. The series supports vertical or horizontal mounting with precise adjustments in the direction of rotation. Recommended for architectural façade lighting or landscape spotlighting.

### SPECIFICATIONS

<b>Construction:</b>	Durable die-cast aluminum construction
<b>Mounting:</b>	Outdoor installation
<b>Light Source:</b>	High output 3-step Mac Adam Ellipse Rated life of 50,000 hours at L70
<b>Input:</b>	Universal 120-277V AC, 50/60 Hz
<b>Power:</b>	29W
<b>Controls:</b>	0-10V, DMX512-A with RDM
<b>Maximum Delivered Intensity:</b>	Up to 78,403 cd (Ultra Narrow 6°, 4000K)
<b>Maximum Delivered Output:</b>	Up to 1,846 lm (Ultra Narrow 6°, 4000K)
<b>Operating Temperature:</b>	-4°F to 122°F (-20°C to 50°C)
<b>Standards:</b>	UL & cUL Wet location listed
<b>Warranty:</b>	5 year WAC Lighting guaranteed warranty

### BEAM ANGLES



### FINISHES



Model	Beam	Lumens Ref Output*	CBCP	Efficacy (lm/W)	Color Temp
PAL5 Ø130mm Ø5.1"	U 6°	1,725	73,274	51	927-2700K
	S 13°	1,364	12,654	40	
	N 22°	1,428	7,047	42	930-3000K
	M 34°	1,701	4,139	50	935-3500K
	W 50°	1,395	2,005	41	940-4000K

\*Lumens and CBCP are reference values for 3000K Color Temperature. Refer to Multiplier Table in Performance Data to determine other outputs.

## Panther Static White PAL5 (29W)

Fixture Type: \_\_\_\_\_  
 Project: \_\_\_\_\_  
 Catalog#: \_\_\_\_\_  
 Location: \_\_\_\_\_

### ORDERING INFORMATION

CONFIGURATION TABLE				
Model & Power	Dimming	Beam Angle	Color Temperature & CRI	Housing Finish
<b>PAL5 (29W)</b>	<b>L</b> - 0-10V <b>D</b> - DMX512-A	<b>U</b> - Ultra Narrow 6°	<b>927</b> - 2700K - 90	<b>BK</b> - BLACK
		<b>S</b> - Spot 13°	<b>930</b> - 3000K - 90	
		<b>N</b> - Narrow Flood 22°	<b>940</b> - 4000K - 90	
		<b>M</b> - Medium Flood 34°		
		<b>W</b> - Wide Flood 50°		

### PAL5-29\_ - \_\_\_\_ -BK

Example: PAL5-29D-M930-BK

ACCESSORIES	
PAL5-SHR-BK	<i>Panther 5" Shroud - Black</i>
PAL5-SNOOT-BK	<i>Panther 5" Snoot - Black</i>
AL-TMS-BK	<i>Tree Mount Bracket - Small</i>
AL-TML-BK	<i>Tree Mount Bracket - Large</i>
AL-TRM-BK	<i>Tree Ring Mount</i>
M6000-STAKE	<i>Ground Stake</i>
AL-PM-BK	<i>Pole Mount Bracket</i>
AL-PS-3-BK	<i>3" Pole Sleeve</i>
AL-PCM-S-BK	<i>Pole Clamp - Single</i>
AL-PCM-AD-BK	<i>Pole Clamp Adjustable - Double</i>

Fixture Type: \_\_\_\_\_

Project: \_\_\_\_\_

Catalog#: \_\_\_\_\_

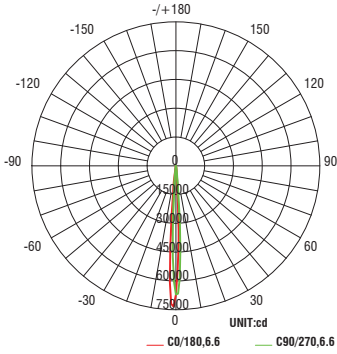
Location: \_\_\_\_\_

### PERFORMANCE DATA

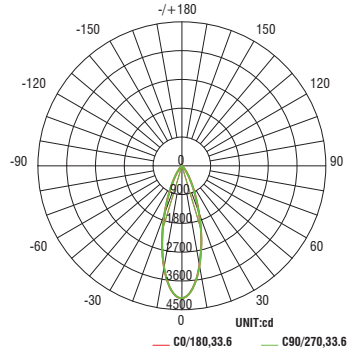
#### Polar Candela Distribution Charts

Samples shown from a fixture set to 3000K.

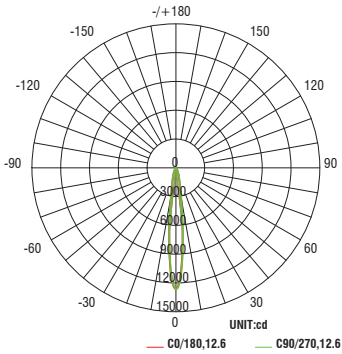
**U - Ultra Narrow 6°**



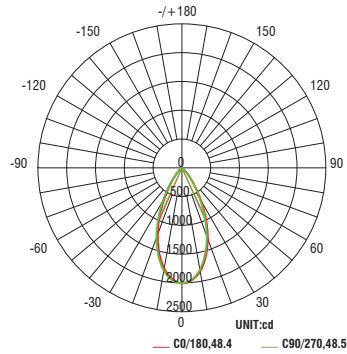
**M - Medium Flood Beam 34°**



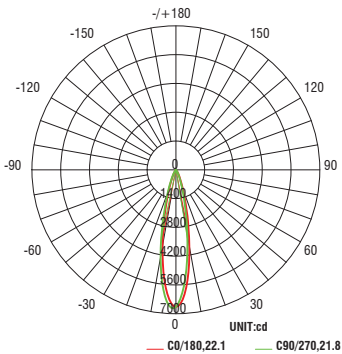
**S - Spot Beam 13°**



**W - Wide Flood 50°**



**N - Narrow Flood Beam 22°**



**Panther**  
 Static White  
 PAL5 (29W)V

Fixture Type: \_\_\_\_\_  
 Project: \_\_\_\_\_  
 Catalog#: \_\_\_\_\_  
 Location: \_\_\_\_\_

**PERFORMANCE DATA**

**Unified Glare Rating (UGR) Table**

General performance of fixtures set to 3000K shown below.

Fixture	Angle	UGR Range
Very Narrow	6°	≤6
Spot	13°	≤11
Narrow Flood	22°	≤11
Medium Flood	34°	≤16
Wide Flood	50°	≤18

**Lumens and CBCP Multiplier Table**

Use the below table to determine lumens and CBCP values for the combinations of power, color temperature, and CRI values.

Color Temperature				
2700K	3000K	3500K	4000K	5000K
0.96	1.00	1.04	1.07	1.12