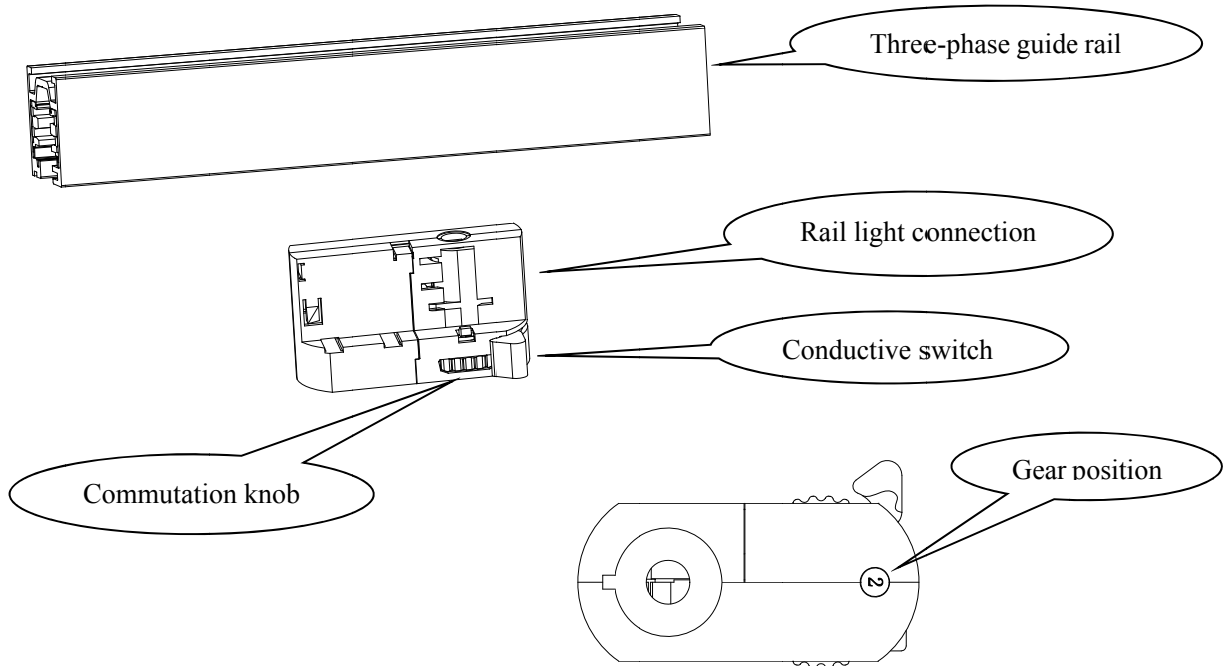


Installation Precautions:

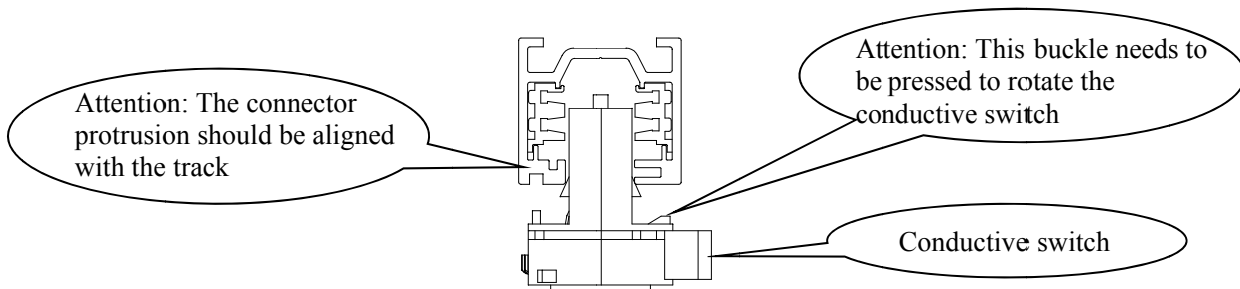
1. Please read the instruction manual carefully before installation;
2. This lamp is used in the W2 three-phase track system or on tracks compatible with other company brands, with rail parameters: Input voltage: AC 220-240V, maximum current: 16A, maximum load: 3680W;
3. Installed by qualified electricians;
4. To avoid the risk of electric shock, please confirm to turn off the power before installing and maintaining the lighting fixtures;
5. Only suitable for indoor installation and use (not suitable for humid environments);
6. The light source of this lamp is non replaceable, and once it needs to be replaced (such as at the end of the lamp's lifespan), the entire lamp should be replaced;
7. Keep this manual properly for future use.

Assemble The Rail Light Connector:

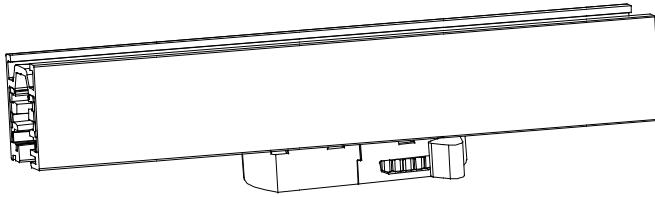
1. Before assembling the guide rail light connector, ensure that the "conductive switch" is parallel to the connector, and display the "1", "2", or "3" status in the circle of the commutation knob as required.



2. Align the protrusion of the rail light connector with the groove of the rail before assembly.

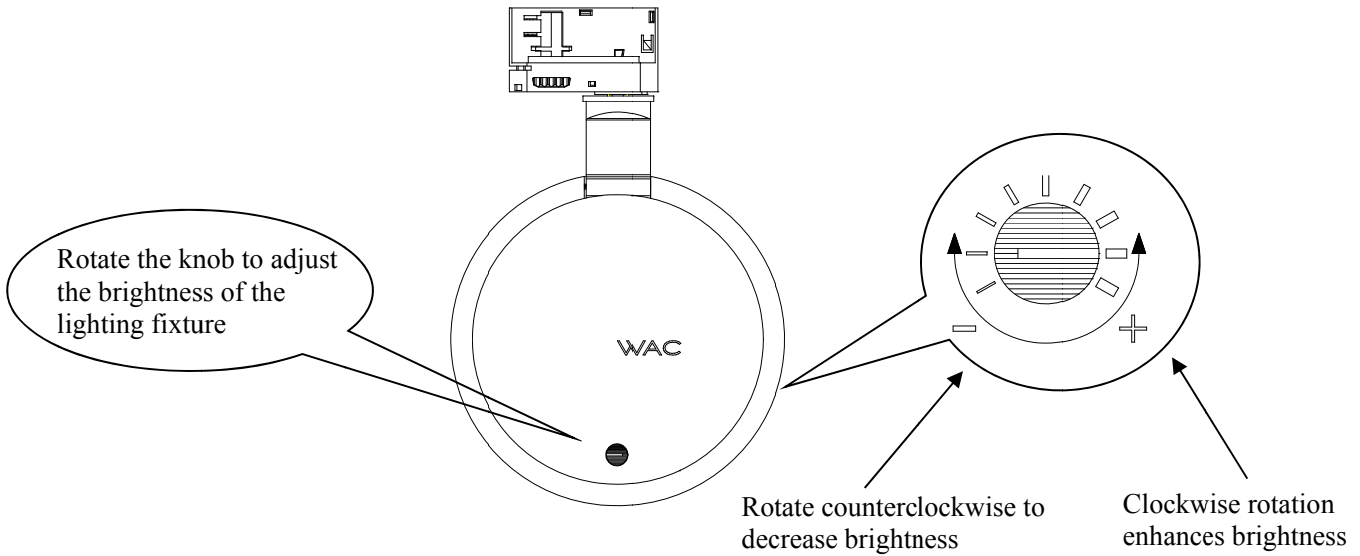


3. After assembly, rotate the conductive switch clockwise 90 degrees to conduct electricity.



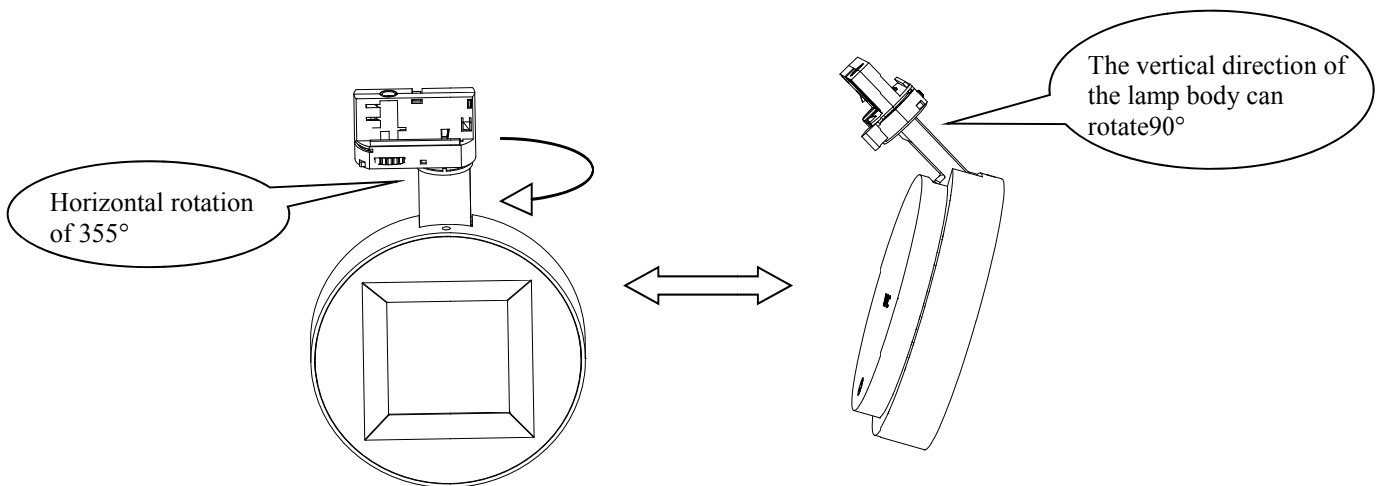
Note: Removing the rail light connector is the opposite of installing the rail light connector.

Brightness Adjustment (Please Refer To The Bluetooth Manual For This Bluetooth Dimming):



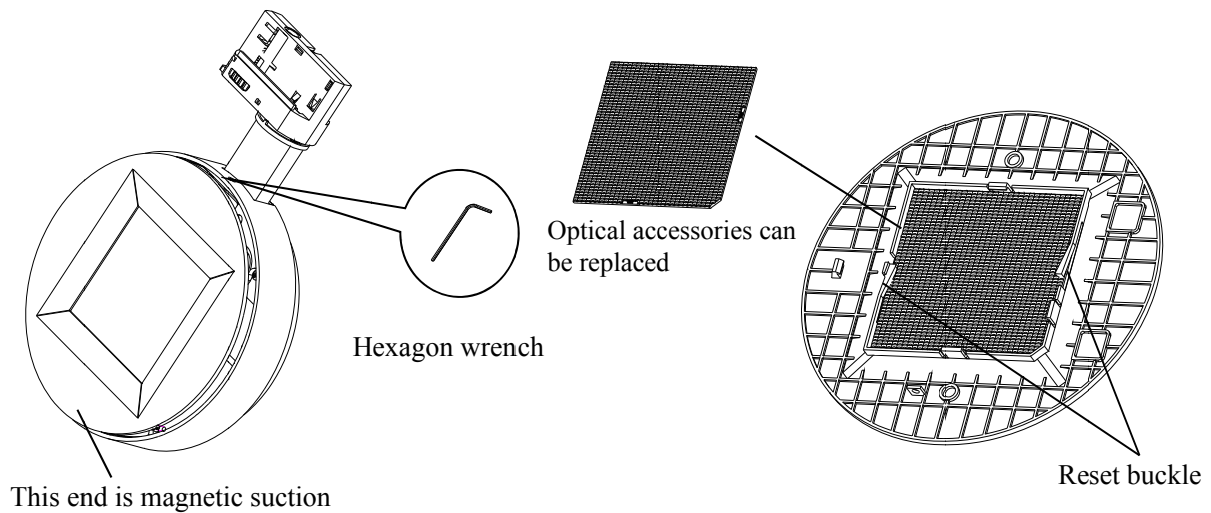
Lamp Adjustment:

1. After the installation of the lamp, the lamp body can rotate vertically by 90° and horizontally by 355°



Installation Of Attachments:

1. Rotate the lamp body downwards to the appropriate position, use a hex wrench or small screwdriver to align with the circular hole position of the lamp body, gently push, the front cover will automatically pop up, and then pull out the front cover by hand.
2. Use your fingers to pry open the reset buckle of the face cover, remove the transparent lens, and replace it with the selected optical accessory or honeycomb mesh.



Maximum Lifting Weight:

1. The track system can withstand the maximum weight as shown in the following figure, which includes the weight of the entire suspension system.
2. A single adapter can withstand a maximum load of 10kg (apply the load to the adapter according to the normal installation position of the lamp).

