

MERE ZOOM- MODEL: ATL36SLM

W Track Luminaires

WAC ARCHITECTURAL

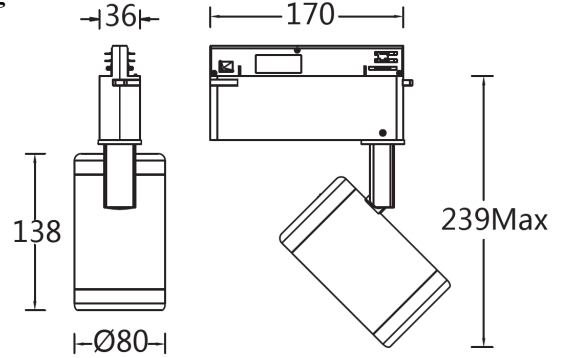
Project:

Type:

Product Image



Line Drawing



Product Description

MERE Zoom features a modular electronic zoom design and is compatible with W-track systems. The luminaire has a clean, compact profile with no visible heat sink and a die-cast aluminum housing. It utilizes a COB light engine and allows APP-based beam zooming and stretching, along with tool-free, field-changeable optical accessories. Suitable for museums, galleries, commercial spaces, hospitality, and retail applications.

Product Features

- Body Material: Aluminum alloy die-casting
- Optical System: Lens+Reflector
- Finish: Static electricity powder coating, BK/WT
- Adjustable Angle: Horizontal 0~365°, Vertical 0-90°
- Accessories: see attachment
- IP Rating: IP20
- Certification: CCC
- Insulation Level: Class I
- Operating Temperature: -20°C~40°C
- Net Weight: 1.0Kg without packing

Product Specifications

- LED Type: COB
- LED power: 18W
- Source Lm: 2700K: 2030lm 3000K: 2120lm
3500K: 2230lm 4000K: 2330lm
- LED Lifetime: >50000h-L70 / B10-Ta25°C(LM-80/TM-21)
- CCT/CRI: 2700K / 3000K / 3500K / 4000K, Ra90 或 Ra97(>Ra95)
- SDCM: 2 SDCM
- Inpute: 220V~240V AC / 50Hz
- Dimming: Wireless APP control (compatibility testing with the project site is required prior to implementation)

Ordering model

Model	LED	Dimming	Beam	CRI	CCT	Finish
ATL36S MERE ZOOM	LM18 COB 18W	B APP	Z ZOOM	9 90 A 97	27 2700K 30 3000K 35 3500K 40 4000K CC 2700-6000K	WT White BK Black
TL36S	LM18	B	Z	9	30	WT

MERE ZOOM- MODEL: ATL38SLM

W Track Luminaires

WAC ARCHITECTURAL

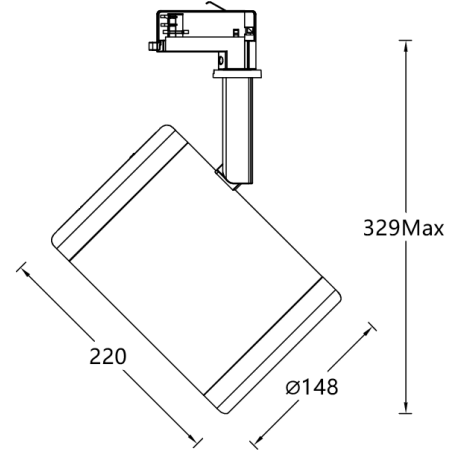
Project:

Type:

Product Image



Line Drawing



Product Description

MERE Zoom features a modular electronic zoom design and is compatible with W-track systems. The luminaire has a clean, compact profile with no visible heat sink and a die-cast aluminum housing. It utilizes a COB light engine and allows APP-based beam zooming and stretching, along with tool-free, field-changeable optical accessories. Suitable for museums, galleries, commercial spaces, hospitality, and retail applications.

Product Features

- Body Material: Aluminum alloy die-casting
- Optical System: Lens+Reflector
- Finish: Static electricity powder coating, BK/WT
- Adjustable Angle: Horizontal 0~365°, Vertical 0-90°
- Accessories: see attachment
- IP Rating: IP20
- Certification: CCC
- Insulation Level: Class I
- Operating Temperature: -20°C~40°C
- Net Weight: 3.9Kg without packing

Product Specifications

- LED Type: COB
- LED power: 38W or 48W
- Source Lm: 2700K: 3800lm (38W) / 4800lm (48W)
3000K: 3950lm (38W) / 5000lm (48W)
3500K: 4100lm (38W) / 5150lm (48W)
4000K: 4300lm (38W) / 5250lm (48W)
- LED Lifetime: >50000h-L70 / B10-Ta25°C(LM-80/TM-21)
- CCT/CRI: 2700K / 3000K / 3500K / 4000K, Ra90 or Ra97(>Ra95)
- SDCM: 2 SDCM
- Input: 220V~240V AC / 50Hz
- Dimming: Wireless APP control (compatibility testing with the project site is required prior to implementation)

Ordering model

Model	LED	Dimming	Beam	CRI	CCT	Finish
ATL38S MERE	LM38 COB 38W	B APP	Z ZOOM	9 90 A 97	27 2700K	WT White BK Black
	LM48 COB 48W				30 3000K	
					35 3500K	
					40 4000K	
					CC 2700-6000K	
ATL38S	LM48	B	Z	9	30	WT

Sample: ATL38SLM48-BZ930WT

wacarchitectural.com | WAC Architectural, a WAC GROUP brand.

WAC GROUP Headquarters
44 Harbor Park Drive
Port Washington, NY 11050

3 June 2026 | P.2 of 2

WAC GROUP

WAC Group retains the right to modify the design of our products at any time as part of the company's continuous improvement program.