

FALCON ROUND WW - MODEL: ATL71W

W Track Luminaires

WAC ARCHITECTURAL

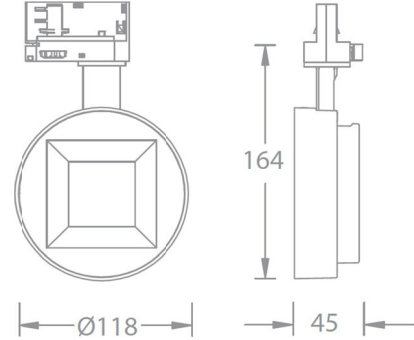
PROJECT :

TYPE :

Product Image



Line Drawing



Product Description

The FALCON Round Wall Washer series (hereinafter referred to as WW) LED track spotlights are suitable for W three circuit tracks. The lamp structure is slim and three-dimensional, and through WAC's careful optical design, it provides accurate wall washing and light distribution effects. The lamp is equipped with high-quality LED constant current appliances and can choose advanced wireless dimming control functions, which are widely used in museums, art galleries, science museums and other places.

Product Features

- Body Material: Aluminum alloy die-casting lamp body, PC optical components
- Optical System: doublet lens
- Finish: Electrostatic powder coating, black (BK), white (WT)
- Adjustable Angle: Horizontal adjustment from 0 ° to 365 °; Vertical 0-90 ° adjustment
- Accessories: At most, anti glare accessories can be installed
- Certification: CCC/CE
- IP Rating: IP20
- Insulation Level: Class I
- Operating Temperature: -20°C~40°C

Product Specifications

- Light source type: HP LED
- Light source power: 8W or 12W optional
- Luminous flux of light source: 3000K: 700lm(8W) / 875lm(12W)
4000K: 740lm(8W) / 925lm(12W)
- LED Lifetime: >50000h-L70 /B10-Ta25°C(LM-80/TM-21)
- CCT/CRI: 3000K/4000K; Ra90 and Ra97 are optional
- SDCM: 3 SDCM
- Input: 220V~240V AC / 50Hz
- Dimming: Knob dimming (range 10-100%), wireless dimming (requires WAC system)
DALI, 0-10V dimming (compatibility testing must be conducted with the project site in advance)
- Net Weight: 0.6Kg without packing

Order Model

Model	LED	Dimming	Beam	CRI	CCT	Finish
ATL71W FALCON ROUND WW	LD08 LED 8W LD12 LED 12W	O On-boarding D 0-10V B Wireless A DALI	W Wall washer	9 90 A 97	30 3000K 40 4000K	WT White BK Black
ATL71W	LD08	O	W	9	30	WT

Example: ATL71WLD08-OW930WT

FALCON ROUND WW - MODEL: ATL71W

W Track Luminaires

WAC ARCHITECTURAL

PROJECT :

TYPE :

Accessory

ALENS-TL71WSUBROSA
Hidden Light Projection Module

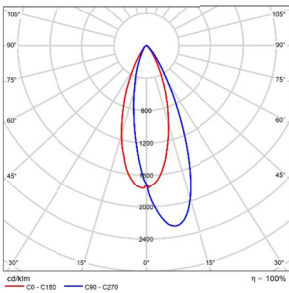


ALENS-TL71S-BD
Four leaf shading board

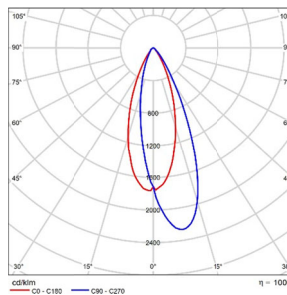


Attention: Please refer to the manual when installing the hidden light projection component.

LIGHT DISTRIBUTION@3000K LUMINAIRE DATA



MODEL :	ATL71WLD08-OW930
BEAM ANGLE :	Wall Washer
POWER :	10W
LUMENS :	449lm
CBCP :	/
EFFICACY :	45lm/W



MODEL :	ATL71WLD12-OW930
BEAM ANGLE :	Wall Washer
POWER :	16W
LUMENS:	628lm
CBCP :	/
EFFICACY :	39lm/W

FALCON ROUND WW - MODEL: ATL72W

W Track Luminaires

WAC ARCHITECTURAL

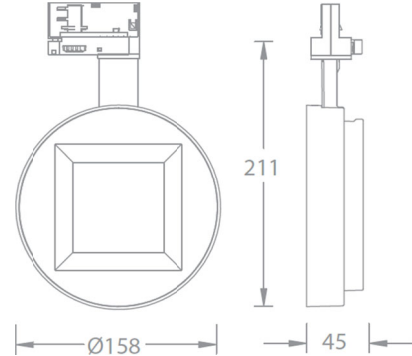
PROJECT :

TYPE :

Product Image



Line Drawing



Product Description

The FALCON Round Wall Washer series (hereinafter referred to as WW) LED track spotlights are suitable for W three circuit tracks. The lamp structure is slim and three-dimensional, and through WAC's careful optical design, it provides accurate wall washing and light distribution effects. The lamp is equipped with high-quality LED constant current appliances and can choose advanced wireless dimming control functions, which are widely used in museums, art galleries, science museums and other places.

Product Features

- Body Material: Aluminum alloy die-casting lamp body, PC optical components
- Optical System: doublet lens
- Finish: Electrostatic powder coating, black (BK), white (WT)
- Adjustable Angle: Horizontal adjustment from 0 ° to 365 °; Vertical 0-90 ° adjustment
- Accessories: At most, anti glare accessories can be installed
- Certification: CCC/CE
- IP Rating: IP20
- Insulation Level: Class I
- Operating Temperature: -20°C~40°C

Product Specifications

- Light source type: HP LED
- Light source power: 18W or 27W optional
- Luminous flux of light source: 3000K: 1575lm(18W) / 2125lm(27W)
4000K: 1665lm(18W) / 2245lm(27W)
- LED Lifetime: >50000h-L70 /B10-Ta25 °C(LM-80/TM-21)
- CCT/CRI: 3000K/4000K; Ra90 and Ra97 are optional
- SDCM: 3 SDCM
- Input: 220V~240V AC / 50Hz
- Dimming: Knob dimming (range 10-100%), wireless dimming (requires WAC system)
DALI, 0-10V dimming (compatibility testing must be conducted with the project site in advance)
- Net Weight: 0.9Kg without packing

Order Model

Model	LED	Dimming	Beam	CRI	CCT	Finish
ATL72W		O On-boarding				
FALCON	LD18 LED18W	D 0-10V	W Wall washer	9 90	30 3000K	WT White
ROUND	LD27 LED27W	B Wireless		A 97	40 4000K	BK Black
WW		A DALI				
ATL72W	LD18	O	W	9	30	WT

Example: ATL72WLD18-OW930WT

FALCON ROUND WW - MODEL: ATL72W

W Track Luminaires

WAC ARCHITECTURAL

PROJECT :

TYPE :

Accessory

ALENS-TL71WSUBROSA
Hidden Light Projection Module

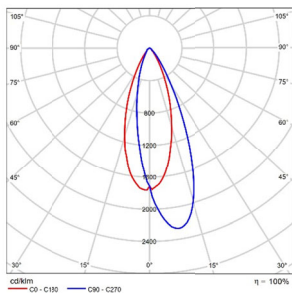


ALENS-TL71S-BD
Four leaf shading board

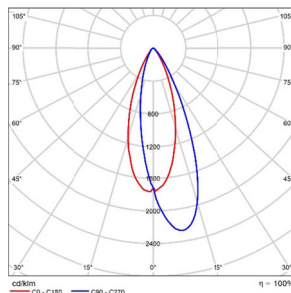


Attention: Please refer to the manual when installing the hidden light projection component.

LIGHT DISTRIBUTION@3000K LUMINAIRE DATA



MODEL : ATL72WLD18-OW930
BEAM ANGLE : Wall Washer
POWER : 21W
LUMENS: 1172lm
CBCP : /
EFFICACY : 56lm/W



MODEL : ATL72WLD72-OW930
BEAM ANGLE : Wall Washer
POWER : 31W
LUMENS: 1641lm
CBCP : /
EFFICACY : 53lm/W

FALCON ROUND WW - MODEL: ATL73W

WAC ARCHITECTURAL

W Track Luminaires

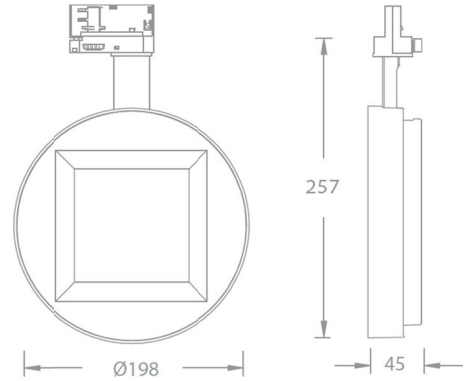
PROJECT :

TYPE :

Product Image



Line Drawing



Product Description

The FALCON Round Wall Washer series (hereinafter referred to as WW) LED track spotlights are suitable for W three circuit tracks. The lamp structure is slim and three-dimensional, and through WAC's careful optical design, it provides accurate wall washing and light distribution effects. The lamp is equipped with high-quality LED constant current appliances and can choose advanced wireless dimming control functions, which are widely used in museums, art galleries, science museums and other places.

Product Features

- Body Material: Aluminum alloy die-casting lamp body, PC optical components
- Optical System: doublet lens
- Finish: Electrostatic powder coating, black (BK), white (WT)
- Adjustable Angle: Horizontal adjustment from 0 ° to 365 °; Vertical 0-90 ° adjustment
- Accessories: At most, anti glare accessories can be installed
- Certification: CCC/CE
- IP Rating: IP20
- Insulation Level: Class I
- Operating Temperature: -20°C~40°C

Product Specifications

- Light source type: HP LED
- Light source power: 32W or 42W optional
- Luminous flux of light source: 3000K: 2800lm(32W) / 2960lm(42W)
4000K: 3500lm(32W) / 3700lm(42W)
- LED Lifetime: >50000h-L70 /B10-Ta25°C(LM-80/TM-21)
- CCT/CRI: 3000K/4000K; Ra90 and Ra97 are optional
- SDCM: 3 SDCM
- Input: 220V~240V AC / 50Hz
- Dimming: Knob dimming (range 10-100%), wireless dimming (requires WAC system)
DALI, 0-10V dimming (compatibility testing must be conducted with the project site in advance)
- Net Weight: 1.3Kg without packing

Order Model

Model	LED	Dimming	Beam	CRI	CCT	Finish
ATL73W FALCON ROUND WW	LD32 LED32W LD43 LED43W	O On-boarding D 0-10V B Wireless A DALI	W Wall washer	9 90 A 97	30 3000K 40 4000K	WT White BK Black
ATL73W	LD32	O	W	9	30	WT

Example: ATL73WLD32-OW930WT

wacarchitectural.com | WAC Architectural, a WAC GROUP brand.

WAC GROUP Headquarters
44 Harbor Park Drive
Port Washington, NY 11050

3 June 2026 | P.5 of 6

WAC GROUP

WAC Group retains the right to modify the design of our products at any time as part of the company's continuous improvement program.

FALCON ROUND WW - MODEL: ATL73W

W Track Luminaires

WAC ARCHITECTURAL

PROJECT :

TYPE :

Accessory

ALENS-TL71WSUBROSA
Hidden Light Projection Module

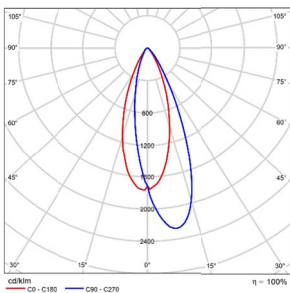


ALENS-TL71S-BD
Four leaf shading board

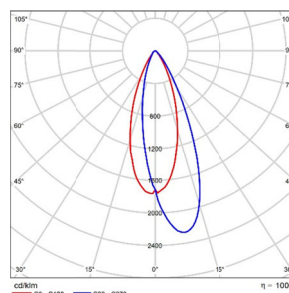


Attention: Please refer to the manual when installing the hidden light projection component.

LIGHT DISTRIBUTION@3000K LUMINAIRE DATA



MODEL : ATL73WLD32-OW930
BEAM ANGLE : Wall Washer
POWER : 36W
LUMENS: 1814lm
CBCP : /
EFFICACY : 50lm/W



MODEL : ATL73WLD43-OW930
BEAM ANGLE : Wall Washer
POWER : 48W
LUMENS: 2302lm
CBCP : /
EFFICACY : 48lm/W